



Chipsmall Limited consists of a professional team with an average of over 10 year of expertise in the distribution of electronic components. Based in Hongkong, we have already established firm and mutual-benefit business relationships with customers from,Europe,America and south Asia,supplying obsolete and hard-to-find components to meet their specific needs.

With the principle of “Quality Parts,Customers Priority,Honest Operation,and Considerate Service”,our business mainly focus on the distribution of electronic components. Line cards we deal with include Microchip,ALPS,ROHM,Xilinx,Pulse,ON,Everlight and Freescale. Main products comprise IC,Modules,Potentiometer,IC Socket,Relay,Connector.Our parts cover such applications as commercial,industrial, and automotives areas.

We are looking forward to setting up business relationship with you and hope to provide you with the best service and solution. Let us make a better world for our industry!



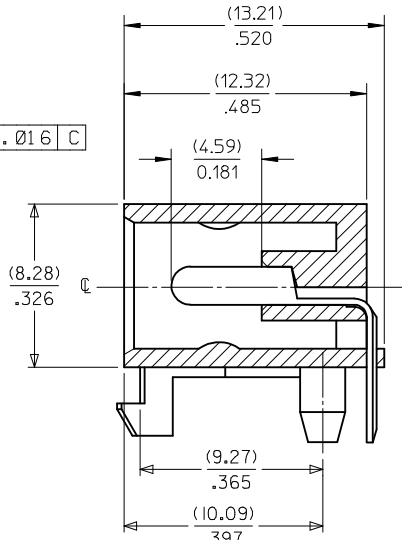
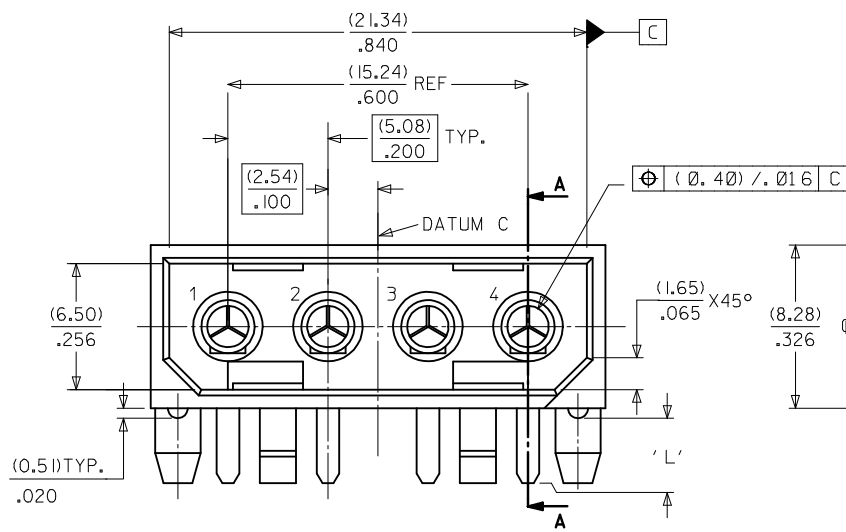
Contact us

Tel: +86-755-8981 8866 Fax: +86-755-8427 6832

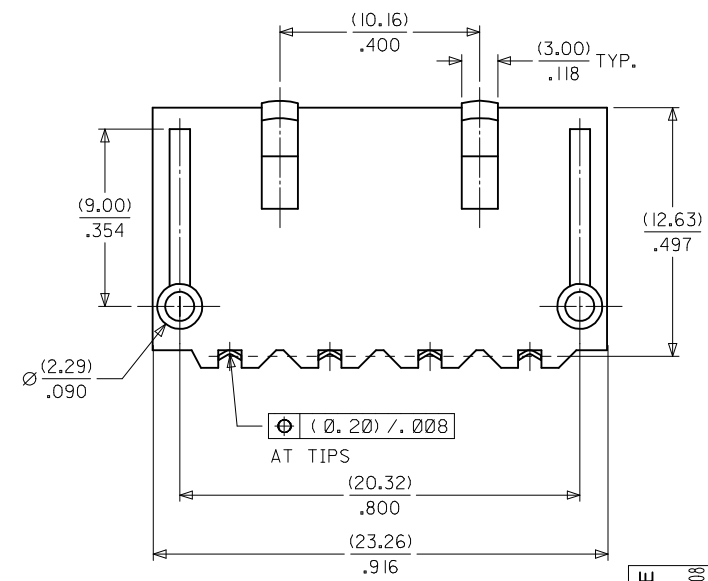
Email & Skype: info@chipsmall.com Web: www.chipsmall.com

Address: A1208, Overseas Decoration Building, #122 Zhenhua RD., Futian, Shenzhen, China

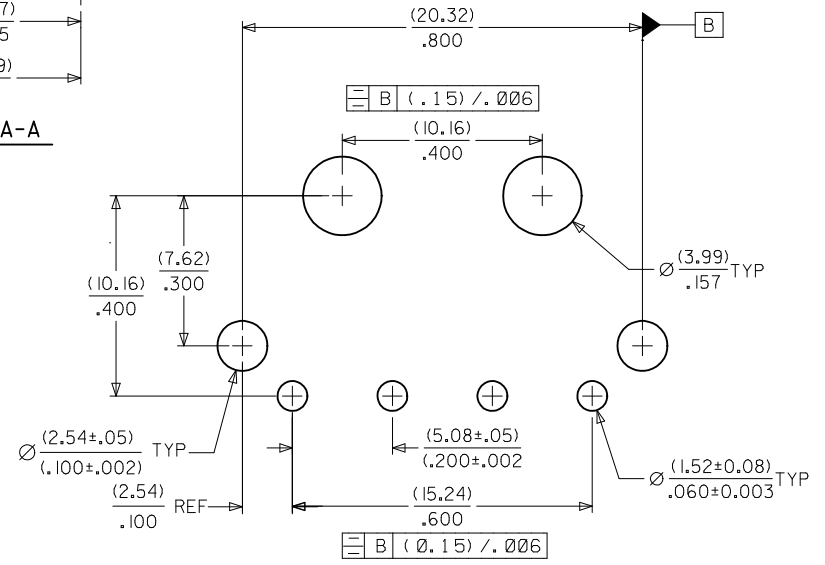




SECT A-A



- NOTES:
- MATERIAL
HOUSING - NYLON 6/6, UNFILLED, UL94V-2, COLOR: NATURAL(OFF-WHITE)
TERMINAL - PHOSPHOR BRONZE
PLATING - POSTPLATE(0.00254)/.000100 MIN.
TIN OVER (0.00127)/.000050 MIN.
NICKEL OVERALL.
 - PART INTENDED TO MATE WITH HOUSING 8981-4P AND TERMINAL 8980-3*
 - PRODUCT SPEC PS-8981-4V* APPLIES.



RECOMMENDED P.C. BOARD LAYOUT (TOL. +/- (.13)/.005)

MAT'L NO.	ENG. NO.	'L'
A-8981-4R-1-LF	15-24-4441	(3.56)/.140

REMOVE MOIST BAG NOTE EC NO: S2012-0878 DRWN:SKANG CHKD:ATSEE APPR:MLONG	2012/10/08	2012/10/18	2012/11/02
	DESCRIPTION		
	REV		
	C7		

QUALITY SYMBOLS	▽=0	
	⊖=0	
GENERAL TOLERANCES (UNLESS SPECIFIED)	mm	INCH
	4 PLACES	± --- ± ---
	3 PLACES	± --- ± .008
	2 PLACES	± 0.20 ± ---
	1 PLACE	± --- ± ---
ANGULAR ± 3 °		
DRAFT WHERE APPLICABLE MUST REMAIN WITHIN DIMENSIONS		

DIMENSION STYLE		SCALE	DESIGN UNITS	THIRD ANGLE PROJECTION
MM/IN		NTS	INCH	
DRAWN BY	DATE	TITLE		
GRXIE	2001/05/02	HEADER, 4 CKTS RIGHT ANGLE MOUNT		
CHECKED BY	DATE			
KCL ING	2001/05/02			
APPROVED BY	DATE			
SKTOH	2001/05/03			
MATERIAL NO.	DOCUMENT NO.			
SEE TABLE		SD-8981-4R1		
SIZE A3	THIS DRAWING CONTAINS INFORMATION THAT IS PROPRIETARY TO MOLEX INCORPORATED AND SHOULD NOT BE USED WITHOUT WRITTEN PERMISSION			

MATERIAL NO.		DOCUMENT NO.		SHEET NO.
				1 OF 1