



Chipsmall Limited consists of a professional team with an average of over 10 year of expertise in the distribution of electronic components. Based in Hongkong, we have already established firm and mutual-benefit business relationships with customers from,Europe,America and south Asia,supplying obsolete and hard-to-find components to meet their specific needs.

With the principle of “Quality Parts,Customers Priority,Honest Operation,and Considerate Service”,our business mainly focus on the distribution of electronic components. Line cards we deal with include Microchip,ALPS,ROHM,Xilinx,Pulse,ON,Everlight and Freescale. Main products comprise IC,Modules,Potentiometer,IC Socket,Relay,Connector.Our parts cover such applications as commercial,industrial, and automotives areas.

We are looking forward to setting up business relationship with you and hope to provide you with the best service and solution. Let us make a better world for our industry!



## Contact us

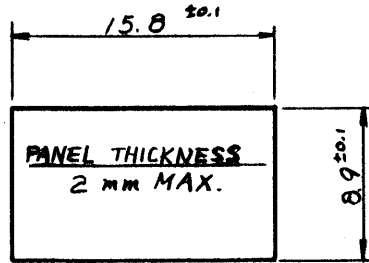
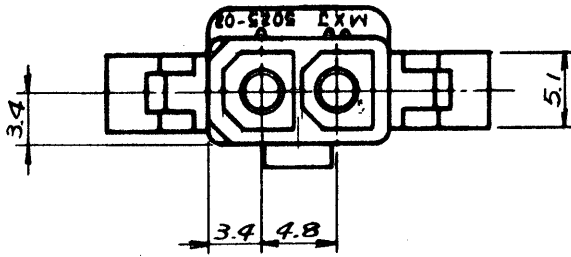
Tel: +86-755-8981 8866 Fax: +86-755-8427 6832

Email & Skype: info@chipsmall.com Web: www.chipsmall.com

Address: A1208, Overseas Decoration Building, #122 Zhenhua RD., Futian, Shenzhen, China

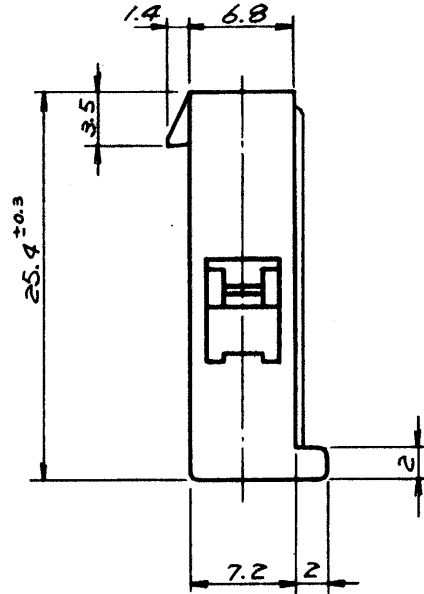
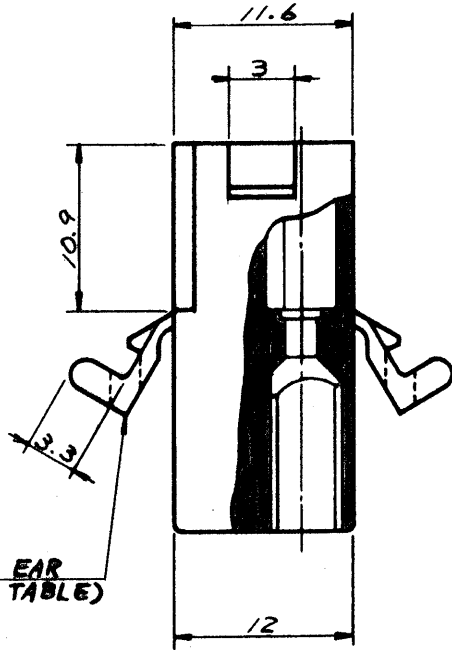


F



MOUNTING HOLE DETAIL

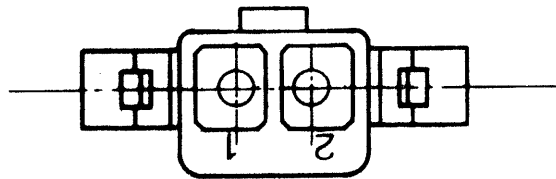
E



D

C

B



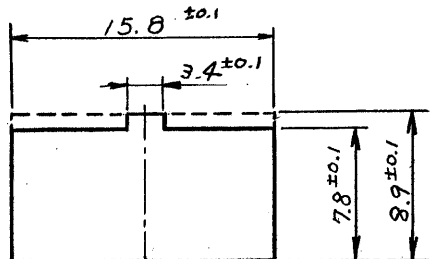
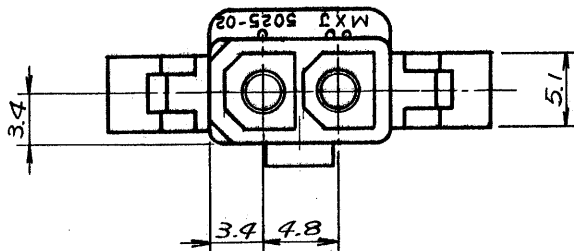
GENERAL TOLERANCES	
10 UNDER	±0.2
10 OVER 30 UNDER	±0.25
30 OVER	±0.3
ANGLE	±3°

A

	5025-02P1	NO
	5025-02P	YES
EDP NO.	ENG. NO.	MTG. EAR

			公差 (Tolerances) .000 → ±0.005 .00 → ±0.05 .0 → ±0.1 . → ±0.3	所要数 (Req)	DRWG. <i>Y. Awano 7/77</i> DSN'D <i>M. Sano MTD 7/77</i> CHK'D <i>La Shie</i> APP'D
			材料 (MAT'L) NYLON 66, 94V-2		MOLEX-JAPAN CO., LTD. 日本モレックス株式会社
			熱処理 (H.T.) HRc — # —		
D	ADDED -02P1 ECU NO. 917	<i>7/5/77</i>			No. <b>SD-5025-02P*</b>
C	REMOVED "X" ECU NO. 748	<i>7/8/77</i>			
B	リブ、パネルスロット、エラストノ.	<i>7/6/77</i>			REV. <b>D</b>
A	REVISED	<i>7/20/77</i>			
O	PROPOSED	<i>7/7/77</i>			
記号 (LTR)	変更内容 (Rev.)	Date	Name	Scale <i>2/1</i>	名称 (Name) <b>MINI. FIT CONN. 2POS. PLUG HSG.</b>

F

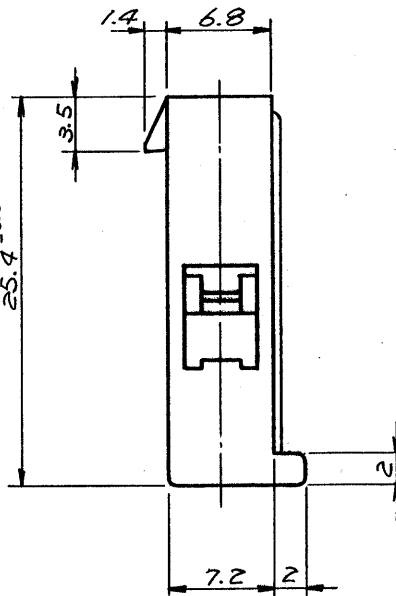
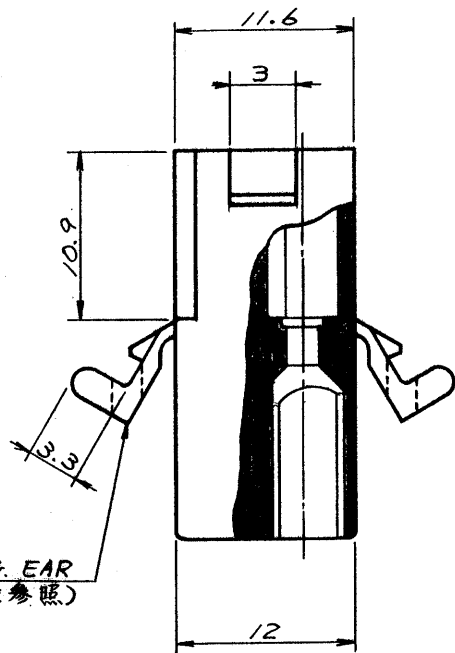


パネル板厚 2mm MAX

パネルスロット寸法

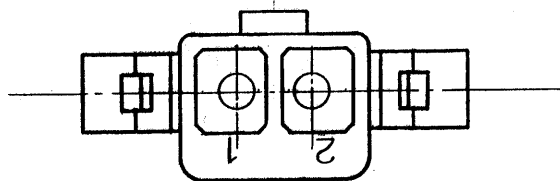
E

D



C

B



一般公差	
10未満	±0.2
10以上30未満	±0.25
30以上	±0.3
角度	±3°

15-31-1023	5025-02P1	無
15-31-1021	5025-02P	有
EDP NO.	ENG. NO.	MTG. EAR

A

				公差 (Tolerances) .000 → ±0.005 .00 → ±0.05 .0 → ±0.1 . → ±0.3	所要数 (Req)	DRWG. <i>G. Awano 7/7/77</i> DSN'D <i>M. ENO 10/2/77</i> CHK'D <i>K. S. Ito</i> APP'D <i>W. M. S.</i>
				材料 (MAT'L) NYLON 66, 94V-2	* MOLEX MOLEX-JAPAN CO., LTD. 日本モレックス株式会社	
				熱処理 (H.T.) HRc		
E	REVISED ECN NO. 1499	1/30/79	K.M.			
D	ADDED -02P1 ECN NO. 917	9/5/78	Y			
C	REMOVED "X" ECN NO. 748	3/18/78	Y/S			
B	リブ, パネルスロット, サキット No.	12/16/77	Y/S			
A	REVISED	10/28/77	Y/S			
O	PROPOSED	7/77	Y/S			
記号 (LTR)	変更内容 (Rev.)	Date	Name	Scale 2/1	名称 (Name) MINI. FIT CONN. 2POS. PLUG HSG.	No. SD-5025-02P * REV. E