



Chipsmall Limited consists of a professional team with an average of over 10 year of expertise in the distribution of electronic components. Based in Hongkong, we have already established firm and mutual-benefit business relationships with customers from,Europe,America and south Asia,supplying obsolete and hard-to-find components to meet their specific needs.

With the principle of “Quality Parts,Customers Priority,Honest Operation,and Considerate Service”,our business mainly focus on the distribution of electronic components. Line cards we deal with include Microchip,ALPS,ROHM,Xilinx,Pulse,ON,Everlight and Freescale. Main products comprise IC,Modules,Potentiometer,IC Socket,Relay,Connector.Our parts cover such applications as commercial,industrial, and automotives areas.

We are looking forward to setting up business relationship with you and hope to provide you with the best service and solution. Let us make a better world for our industry!



Contact us

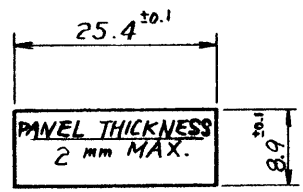
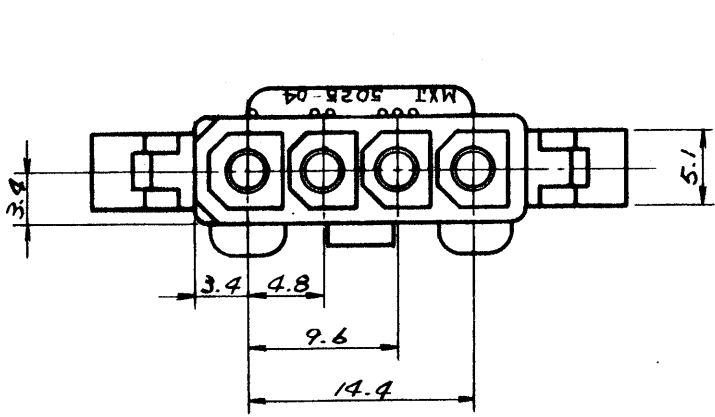
Tel: +86-755-8981 8866 Fax: +86-755-8427 6832

Email & Skype: info@chipsmall.com Web: www.chipsmall.com

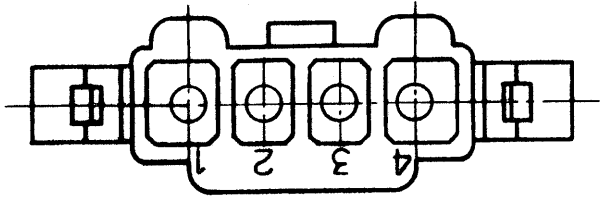
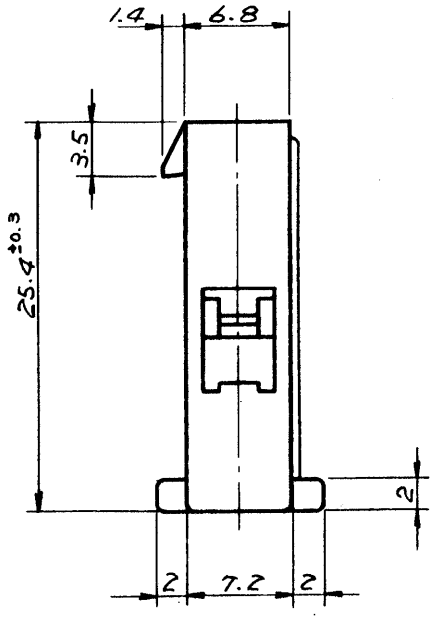
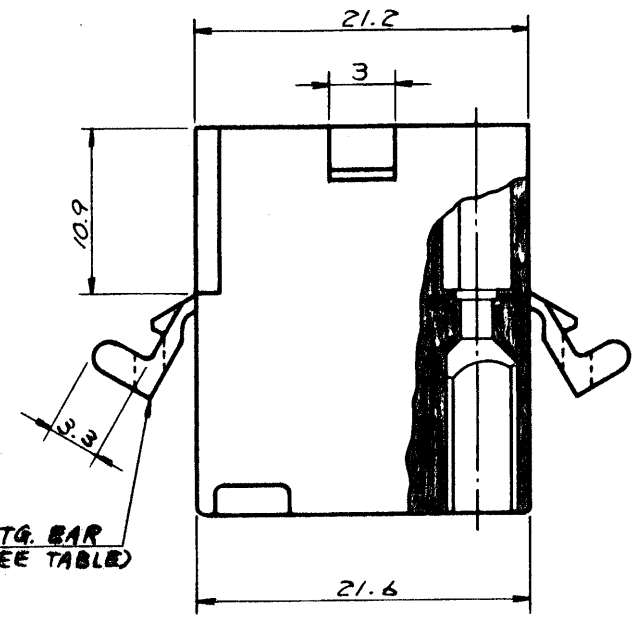
Address: A1208, Overseas Decoration Building, #122 Zhenhua RD., Futian, Shenzhen, China



F
E
D
C
B
A



MOUNTING HOLE DETAIL (SCALE 1:1)



GENERAL TOLERANCES	
10 UNDER	±0.2
10 OVER 30 UNDER	±0.25
30 OVER	±0.3
ANGLE	±3°

	5025-04P1	NO
	5025-04P	YES
EDP NO.	ENG. NO.	MTG. EAR

			公差 (Tolerances) .000 → ±0.005 .00 → ±0.05 .0 → ±0.1 . → ±0.3	所要数 (Req) *	DRWG. <i>Y. Awano 9/27/77</i>
			材料 (MAT'L) NYLON 66, 94V-2		DSN'D <i>M. EANO/MTD 9/21/77</i>
D	ADDED -04P1 ECN NO. 917	<i>9/27/77</i>	熱処理 (H.T.) HRc — # —	MOLEX-JAPAN CO., LTD. 日本モレックス株式会社	CHK'D <i>ca Shio</i>
C	REMOVED "X" ECN NO. 748	<i>7/21/77</i>	仕上げ (Finish) — # —		APP'D
B	リブ、パネリスロット、サキット NO.	<i>12/1/77</i>	Scale 2/1		No. SD-5025-04P*
A	REVISED	<i>10/28/77</i>	名称 (Name) MINI. FIT CONN. 4POS. PLUG HSG.		
O	PROPOSED	<i>9/27/77</i>			
記号 LTR	変更内容 (Rev.)	Date	Name		

F

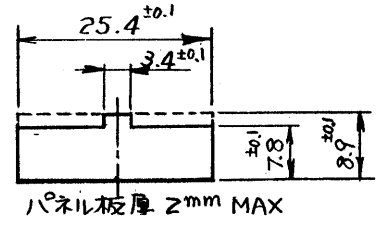
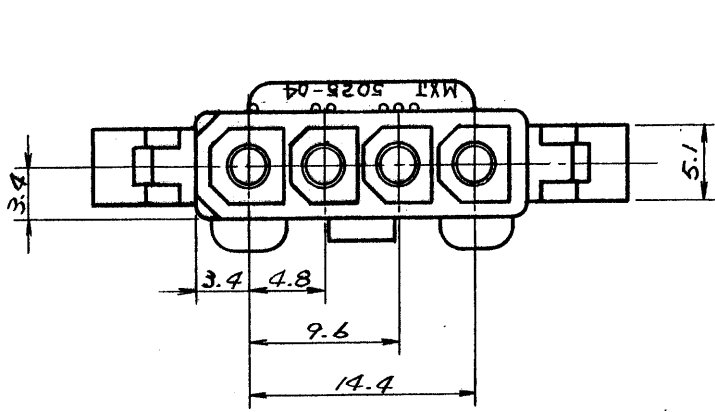
E

D

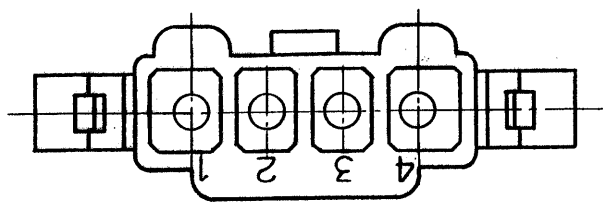
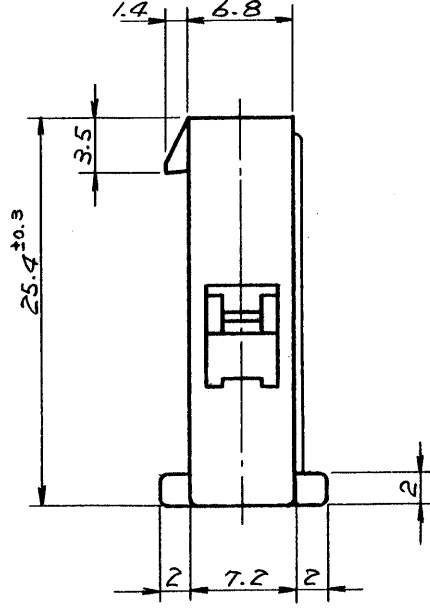
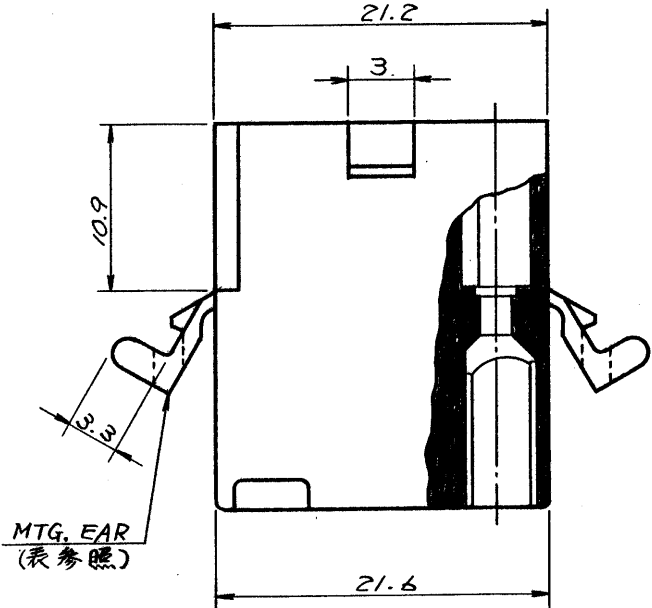
C

B

A



パネルスロット寸法
(SCALE 1:1)



一般公差	
10未満	±0.2
10以上30未満	±0.25
30以上	±0.3
角度	±3°

15-31-1043	5025-04P1	無
15-31-1041	5025-04P	有
EDP NO.	ENG. NO.	MTG. EAR

公差 (Tolerances)				所要数 (Req)	DRWG. <i>Y. Awano</i> 9/27/77
.000 → ±0.005, .00 → ±0.05					DSN'D <i>M. ENDO</i> 10/21/77
.0 → ±0.1, . → ±0.3					CHK'D <i>U. Shiroi</i>
材料 (MAT'L)				* APP'D <i>W. M. S.</i>	MOLEX-JAPAN CO., LTD. 日本モレックス株式会社
NYLON66, 94V-2					
熱処理 (H.T.)				No. SD-5025-04P*	REV. E
HRc —					
仕上げ (Finish)				Scale 2/1 名称 (Name) MINI. FIT CONN. 4POS. PLUG HSG.	
記号 (LTR)		変更内容 (Rev.)	Date	Name	

E	REVISED	ECN NO. 1499	11/30/79	K.H.
D	ADDED	-04P1 ECN NO. 917	9/5/78	<i>[Signature]</i>
C	REMOVED	"X" ECN NO. 748	3/8/78	<i>[Signature]</i>
B	リ丁	パネルスロット、サキト NO.	12/9/77	<i>[Signature]</i>
A	REVISED		10/28/77	<i>[Signature]</i>
O	PROPOSED		9/27/77	<i>[Signature]</i>