



Chipsmall Limited consists of a professional team with an average of over 10 year of expertise in the distribution of electronic components. Based in Hongkong, we have already established firm and mutual-benefit business relationships with customers from,Europe,America and south Asia,supplying obsolete and hard-to-find components to meet their specific needs.

With the principle of “Quality Parts,Customers Priority,Honest Operation,and Considerate Service”,our business mainly focus on the distribution of electronic components. Line cards we deal with include Microchip,ALPS,ROHM,Xilinx,Pulse,ON,Everlight and Freescale. Main products comprise IC,Modules,Potentiometer,IC Socket,Relay,Connector.Our parts cover such applications as commercial,industrial, and automotives areas.

We are looking forward to setting up business relationship with you and hope to provide you with the best service and solution. Let us make a better world for our industry!



## Contact us

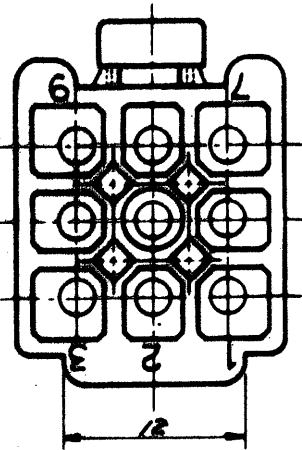
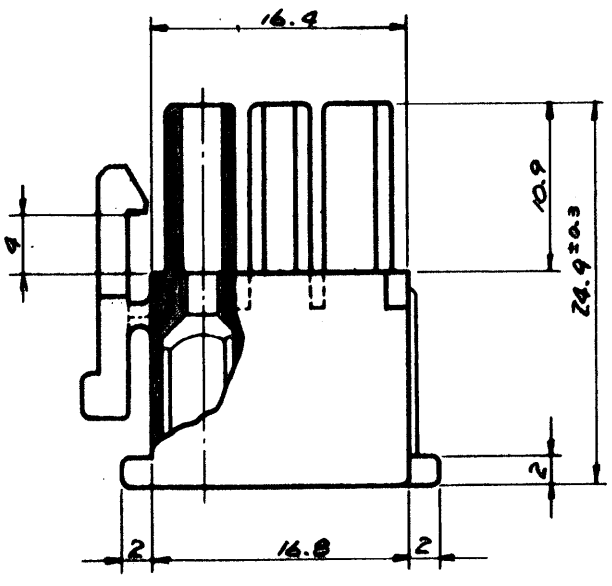
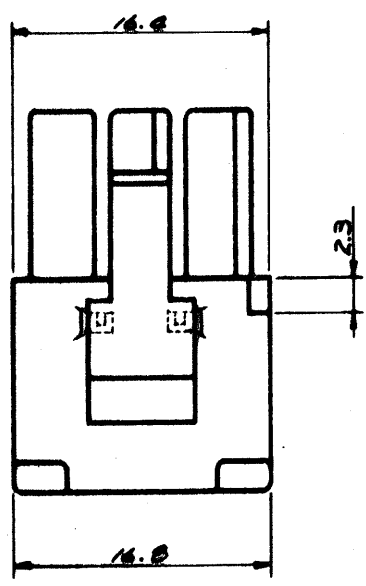
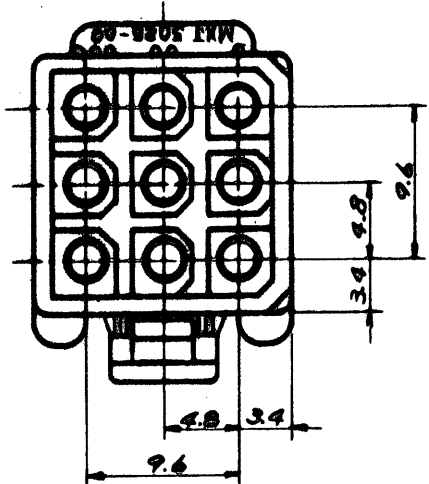
Tel: +86-755-8981 8866 Fax: +86-755-8427 6832

Email & Skype: info@chipsmall.com Web: www.chipsmall.com

Address: A1208, Overseas Decoration Building, #122 Zhenhua RD., Futian, Shenzhen, China



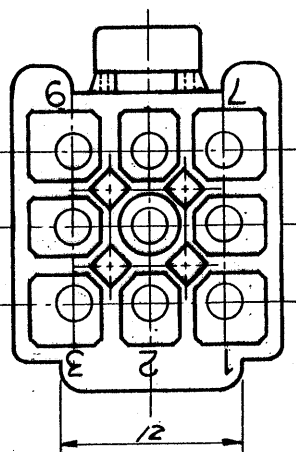
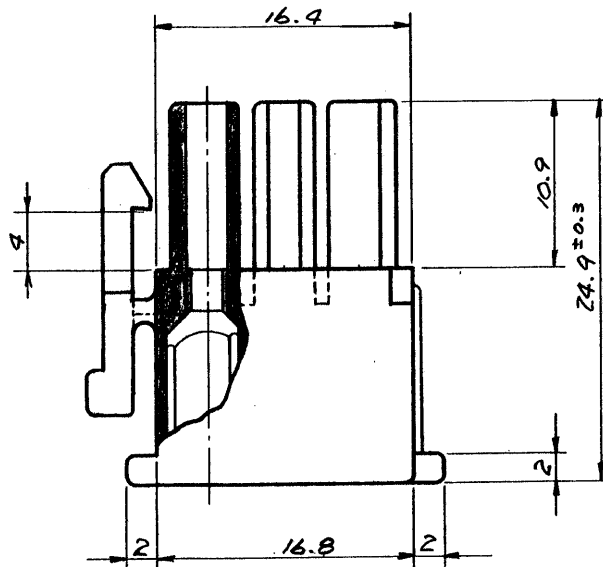
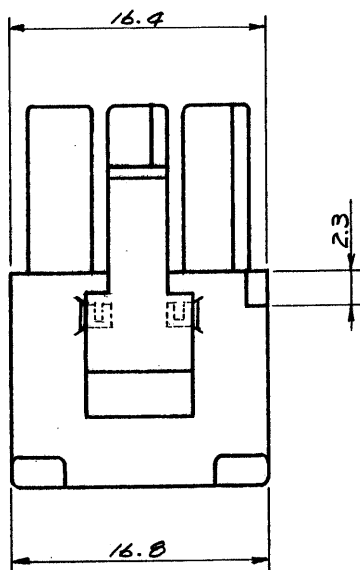
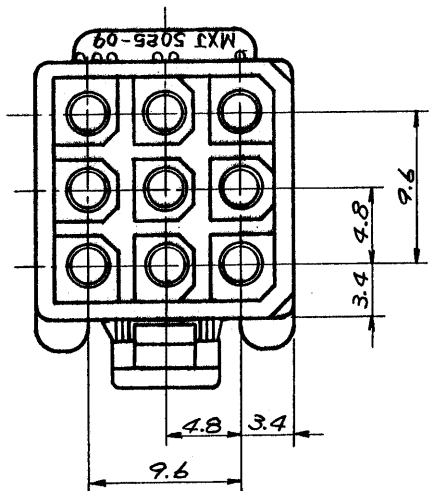
F  
E  
D  
C  
B  
A



GENERAL TOLERANCES	
10 UNDER	±0.2
10 OVER 30 UNDER	±0.25
30 OVER	±0.3
ANGLE	±3°

				公差 (Tolerances)		所要数 (Req)		DRWG. <i>G. Amano</i> 1/18 TT	
				.000 → ±0.005 .00 → ±0.05				DSN'D <i>MEDDAMOTO</i> 1/18 TT	
				.0 → ±0.1 . → ±0.3		材料 (MAT'L) NYLON 66, 94V-2		CHK'D <i>G. Amano</i>	
				材料 (MAT'L)				APP'D	
				熱処理 (H.T.) HRc		MOLEX-JAPAN CO., LTD. 日本モレックス株式会社			
				仕上げ (Finish)					
D 0.497V7 変換 ECN NO. 1006 1/18 TT <i>K.Y.</i>				No.		SD-5025-09R1		REV. D	
C REMOVED "X" ECN NO. 748 1/18 TT <i>K.Y.</i>				Scale		2/1			
B1 0.497V7 3/18 TT <i>K.Y.</i>				名称 (Name)		MINI. FIT CONN.			
B リリ. ガーキット NO. 1/18 TT <i>K.Y.</i>				記号 (LTR)		9POS. RECEPTACLE HSG.			
A REVISED 1/18 TT <i>K.Y.</i>									
O PROPOSED 7/18 TT <i>K.Y.</i>									
変更内容 (Rev.)				Date		Name			

F  
E  
D  
C  
B  
A



一般公差	
10未満	±0.2
10以上30未満	±0.25
30以上	±0.3
角度	±3°

				公差 (Tolerances) .000 → ±0.005 .00 → ±0.05 .0 → ±0.1 . → ±0.3	所要数 (Req) *	DRWG. <i>G. Amano</i> 10/8 '77
				材料 (MAT'L) NYLON 66, 94V-Z		DSN'D <i>MENOMOTO</i> 10/17
				熱処理 (H.T.) HRc —	CHK'D <i>W. Shino</i>	APP'D <i>WMS</i>
D	ロキソグワ変径 ECN-NO. 1486	11/21/79	<i>K.H.</i>		MOLEX-JAPAN CO., LTD. 日本モレックス株式会社	
C	REMOVED "X" ECN NO. 748	3/13/78	<i>Y.V.</i>			
B <sub>1</sub>	ロキソグワ	3/13/78	<i>W.S.</i>		No. SD-5025-09R1	REV. D
B	リジ, サーキット NO.	12/9/77	<i>W.S.</i>	仕上げ (Finish) —		
A	REVISED	11/15/77	<i>W.S.</i>			
O	PROPOSED	10/18/77	<i>W.S.</i>			
記号 (LTR)	変更内容 (Rev.)	Date	Name	Scale 2/1	名称 (Name) MINI. FIT CONN. 9POS. RECEPTACLE HSG.	