



Chipsmall Limited consists of a professional team with an average of over 10 year of expertise in the distribution of electronic components. Based in Hongkong, we have already established firm and mutual-benefit business relationships with customers from,Europe,America and south Asia,supplying obsolete and hard-to-find components to meet their specific needs.

With the principle of “Quality Parts,Customers Priority,Honest Operation,and Considerate Service”,our business mainly focus on the distribution of electronic components. Line cards we deal with include Microchip,ALPS,ROHM,Xilinx,Pulse,ON,Everlight and Freescale. Main products comprise IC,Modules,Potentiometer,IC Socket,Relay,Connector.Our parts cover such applications as commercial,industrial, and automotives areas.

We are looking forward to setting up business relationship with you and hope to provide you with the best service and solution. Let us make a better world for our industry!



Contact us

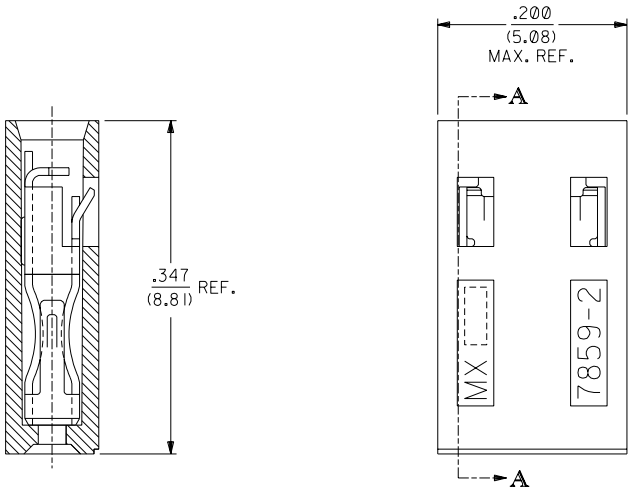
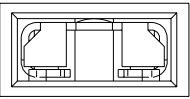
Tel: +86-755-8981 8866 Fax: +86-755-8427 6832

Email & Skype: info@chipsmall.com Web: www.chipsmall.com

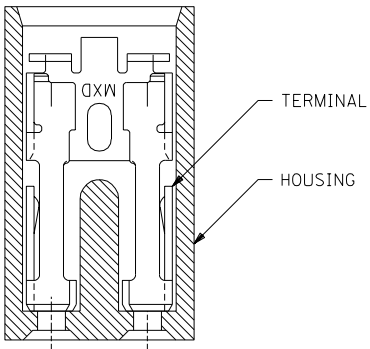
Address: A1208, Overseas Decoration Building, #122 Zhenhua RD., Futian, Shenzhen, China



EDP NO.	ENG NO.	FINISH
15-38-1026	A-7859-2A164	TIN OVERALL
15-29-1025	A-7859-2A554	15 GOLD
15-29-1027	A-7859-2A561	30 GOLD

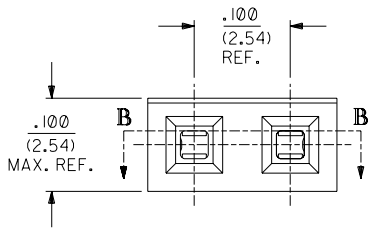


SECTION A-A



SECTION B-B

PART IDENTIFICATION:
 A-7859-2A***
 └── PLATING SPECIFICATION
 └── PIN STOP VERSION



NOTES:

- MATERIAL;
 HOUSING: GLASS FILLED POLYESTER; 94V-0; COLOR: BLACK
 TERMINAL: PHOSPHOR BRONZE ALLOY.
- THIS PRODUCT CONFORMS TO MOLEX PRODUCT SPEC. PS-7859.
- TO BE USED WITH .025/(0.64) SQUARE PINS.
- MINIMUM MATING PIN LENGTH: .200/(5.08)
 MAXIMUM MATING PIN LENGTH: .270/(6.86)
- PRODUCT IS PACKAGED IN BOXES PER PK-70873-0815.

FINISH SPECIFICATION

- TIN OVERALL - .000150 MINIMUM TIN PLATE OVER
 .000050 MINIMUM NICKEL UNDERPLATE.
- 15 GOLD - .000015 MINIMUM GOLD PLATE IN SELECT AREA OVER
 .000050 MINIMUM NICKEL UNDERPLATE OVERALL.
- 30 GOLD - .000030 MINIMUM GOLD PLATE IN SELECT AREA OVER
 .000050 MINIMUM NICKEL UNDERPLATE OVERALL.

NOTE FOR LEAD FREE CONVERSION:
 THE PRIMARY SHIPPING CARTON WILL BE LABELED "COMPLIANT TO ROHS DIRECTIVE 2002/95/EC AND ELV ANNEX II OF DIRECTIVE 2000/53/EC". CARTONS WITHOUT THIS LABEL MAY CONTAIN PRODUCT WITH LEAD.

D	LEAD FREE CONV ECN UCP2004-2133 RKADAMS 04/04/27
CI	ADDED PKG SPEC. PER ECN U70786 WHETSTON 97/2/7
C	CHANGED MATERIAL PER ECR #U51214 95/06/02 CAC
B	REVISED ENG. NOS. PER ECR # U31581 10/26/93 REED
A	RELEASED PER ECR # U30372 03/11/93 REED
3	REVISE GOLD PLTG. PER ECR # U12055 10/18/91 AAB
2	REVISE TERM. PLTG. PER ECR # U11096 06/18/91 AAB
1	*X* RELEASE PER ECR # U10445 02/07/91 AAB

DIMENSIONS SHOWN (METRIC) INCH		▽ = 0 ▼ = 0		REVISE ONLY ON CAD SYSTEM	
UNLESS OTHERWISE SPECIFIED TOLERANCES: ANGULAR ± 1/2°					
		INCH		METRIC	
3 PLACE	± .005	---		---	
2 PLACE	± .01	± 0.13		---	
1 PLACE	---	± 0.25		---	
DRAFT WHERE APPLICABLE MUST REMAIN WITHIN DIMENSIONS					
DRWG. BY: AAB	CHK'D. BY:	FILE NAME: 57859X1A	SHEET NO.: 1 OF 1	DATE: 02/07/91	U.S.A.
APP'D. BY: MJM	SCALE: 10: 1	MOLEX INCORPORATED		MOLEX INC. AND SHOULD NOT BE USED WITHOUT WRITTEN PERMISSION	
SEE CHART			SDA-7859-2A***N		