



Chipsmall Limited consists of a professional team with an average of over 10 year of expertise in the distribution of electronic components. Based in Hongkong, we have already established firm and mutual-benefit business relationships with customers from,Europe,America and south Asia,supplying obsolete and hard-to-find components to meet their specific needs.

With the principle of "Quality Parts,Customers Priority,Honest Operation,and Considerate Service",our business mainly focus on the distribution of electronic components. Line cards we deal with include Microchip,ALPS,ROHM,Xilinx,Pulse,ON,Everlight and Freescale. Main products comprise IC,Modules,Potentiometer,IC Socket,Relay,Connector.Our parts cover such applications as commercial,industrial, and automotives areas.

We are looking forward to setting up business relationship with you and hope to provide you with the best service and solution. Let us make a better world for our industry!



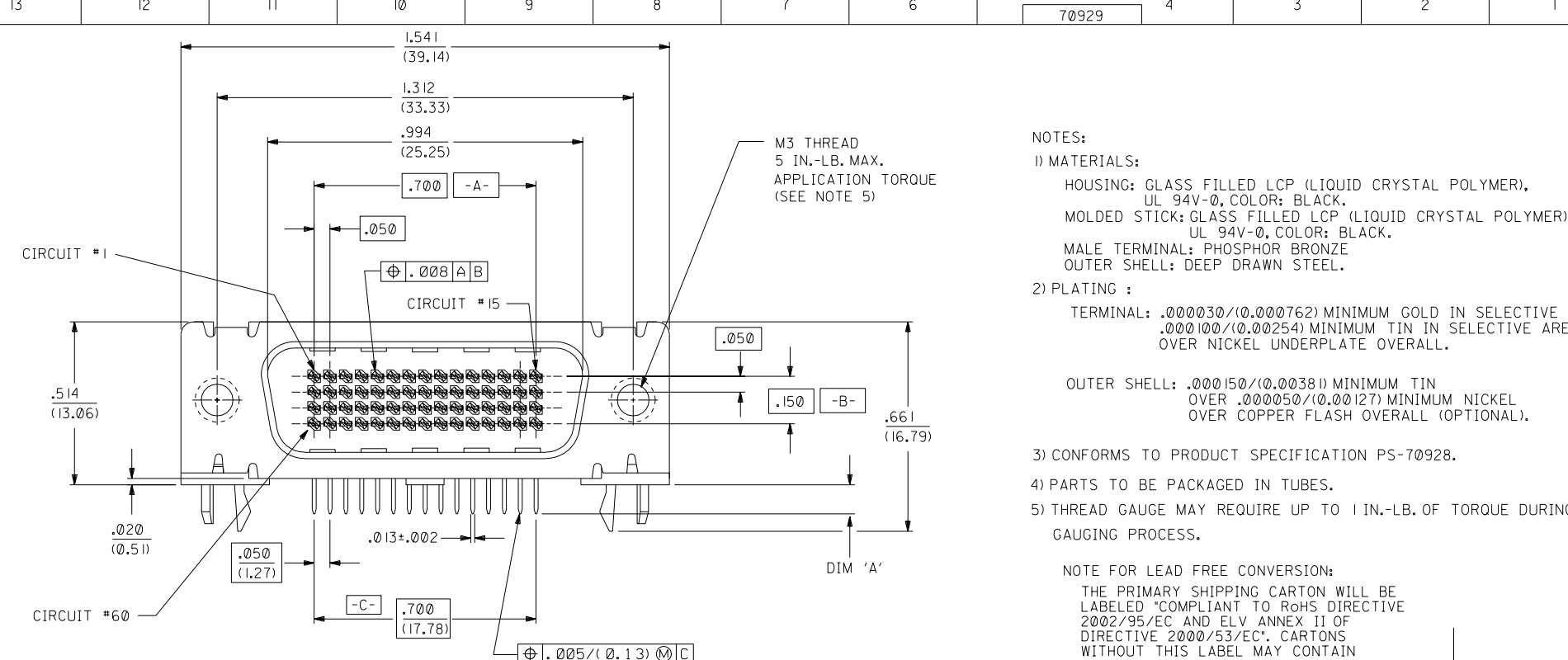
Contact us

Tel: +86-755-8981 8866 Fax: +86-755-8427 6832

Email & Skype: info@chipsmall.com Web: www.chipsmall.com

Address: A1208, Overseas Decoration Building, #122 Zhenhua RD., Futian, Shenzhen, China





NOTES:

1) MATERIALS:

- HOUSING: GLASS FILLED LCP (LIQUID CRYSTAL POLYMER), UL 94V-0, COLOR: BLACK.
- MOLDED STICK: GLASS FILLED LCP (LIQUID CRYSTAL POLYMER), UL 94V-0, COLOR: BLACK.
- MALE TERMINAL: PHOSPHOR BRONZE
- OUTER SHELL: DEEP DRAWN STEEL.

2) PLATING :

- TERMINAL: .000030/(0.000762) MINIMUM GOLD IN SELECTIVE AREA; .000100/(0.00254) MINIMUM TIN IN SELECTIVE AREA; OVER NICKEL UNDERPLATE OVERALL.
- OUTER SHELL: .000150/(0.00381) MINIMUM TIN OVER .000050/(0.00127) MINIMUM NICKEL OVER COPPER FLASH OVERALL (OPTIONAL).

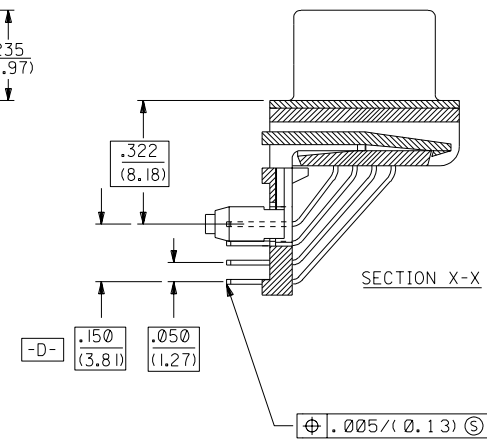
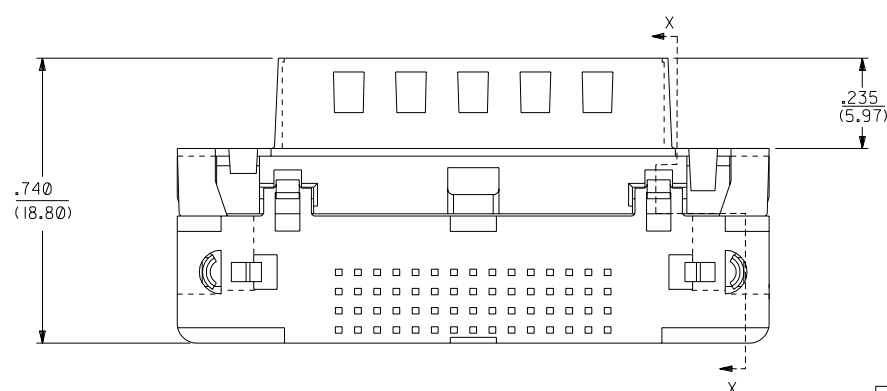
3) CONFORMS TO PRODUCT SPECIFICATION PS-70928.

4) PARTS TO BE PACKAGED IN TUBES.

5) THREAD GAUGE MAY REQUIRE UP TO 1 IN.-LB. OF TORQUE DURING GAUGING PROCESS.

NOTE FOR LEAD FREE CONVERSION:

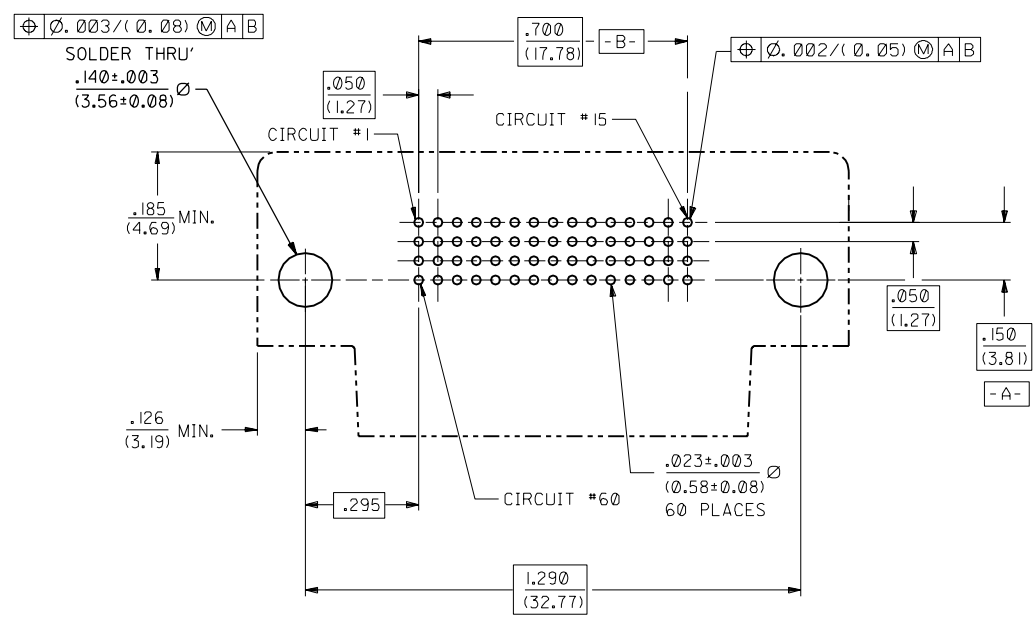
THE PRIMARY SHIPPING CARTON WILL BE LABELED "COMPLIANT TO ROHS DIRECTIVE 2002/95/EC AND ELV ANNEX II OF DIRECTIVE 2000/53/EC". CARTONS WITHOUT THIS LABEL MAY CONTAIN PRODUCT WITH LEAD.



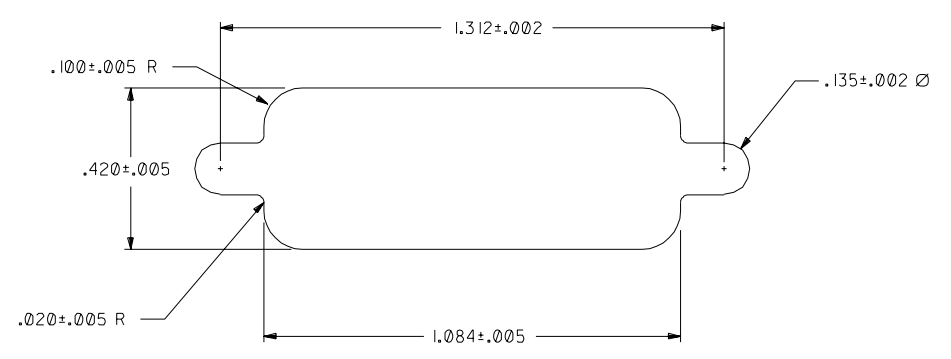
PART NUMBER	ENGINEERING NUMBER	DIM. 'A'
015-92-2250	70929-0001	.092±.012
015-92-2253	70929-0002	.104±.012

G	LEADFREE ECN# UCP2004-1998 DMORGAN 04/04/14
F1	REVISED PER ECN U8-1031 O'DELL 97/10/24
F	REVISED PER ECN U70417 SCHMIDG 96/11/08
E	REVISED PER ECN U6-1485 DRS 05/29/96
D1	REVISED PER ECN U6-1233 DRS 04/03/96
D	REVISED PER ECN U6-0641 DRS 12/01/95
C2	MODIFIED PER ECN U40503 DKS 4-15-94
C1	MODIFIED PER ECN U6-1051 DRS 07.15.92
C	MODIFIED PER ECN U2-0667 MOS 4.28.92
B	MODIFIED PER ECR U1-2081 MOS 10.29.91
A	RELEASED PER ECR U10958 MOS 5.16.91

DIMENSIONS SHOWN (METRIC) INCH UNLESS OTHERWISE SPECIFIED TOLERANCES: ANGULAR ± 1/2°		▽ = 0 ▽ = 0 REVERSE ONLY ON CAD SYSTEM	
3 PLACE ± --- ---		TITLE .050" PITCH LFH 60 CKT R/A D-SUB SALES ASSY. MALE	
2 PLACE ± --- ± ---		MOLEX INCORPORATED SHEET NO. DATE LITSE,ILL. 60532 U.S.A. 1 OF 2 12/17/90	
1 PLACE --- ± ---		PART NO. DRWG. NO. SEE CHART SDA-70929-0001	
DRAFT WHERE APPLICABLE MUST REMAIN WITHIN DIMENSIONS		FILE NAME 570929X1 DCN	
DRWG. BY: MOS	CHK'D. BY: CAB	SCALE: 4: 1	DIV. SIZE: CD C



RECOMMENDED P.C.B. LAYOUT
COMPONENT SIDE



RECOMMENDED PANEL CUT-OUT

F1	SEE SHEET I
E	SEE SHEET I

MFG.	SH.	REV.	LTR.	REVISIONS
------	-----	------	------	-----------

DIMENSIONS SHOWN (METRIC) INCH		▽ = 0		▼ = 0		REVISE ONLY ON CAD SYSTEM	
UNLESS OTHERWISE SPECIFIED TOLERANCES ANGULAR ± 1/2°							
3 PLACE ± --- ---		INCH		METRIC			
2 PLACE ± --- ± ---							
1 PLACE --- ± ---							
DRAFT WHERE APPLICABLE MUST REMAIN WITHIN DIMENSIONS							
DRWG. BY: MOS	CHK'D. BY: CAB	FILE NAME: S70929X1A	DRWG. NO.: SDA-70929-0001	SHEET NO.: 2	DATE: 4/15/94		
APP'D. BY: CAB	SCALE: 4: 1	SEE SHEET 1		SDA-70929-0001		MOLEX INC. AND SHOULD NOT BE USED WITHOUT WRITTEN PERMISSION.	