



Chipsmall Limited consists of a professional team with an average of over 10 year of expertise in the distribution of electronic components. Based in Hongkong, we have already established firm and mutual-benefit business relationships with customers from,Europe,America and south Asia,supplying obsolete and hard-to-find components to meet their specific needs.

With the principle of “Quality Parts,Customers Priority,Honest Operation,and Considerate Service”,our business mainly focus on the distribution of electronic components. Line cards we deal with include Microchip,ALPS,ROHM,Xilinx,Pulse,ON,Everlight and Freescale. Main products comprise IC,Modules,Potentiometer,IC Socket,Relay,Connector.Our parts cover such applications as commercial,industrial, and automotives areas.

We are looking forward to setting up business relationship with you and hope to provide you with the best service and solution. Let us make a better world for our industry!



Contact us

Tel: +86-755-8981 8866 Fax: +86-755-8427 6832

Email & Skype: info@chipsmall.com Web: www.chipsmall.com

Address: A1208, Overseas Decoration Building, #122 Zhenhua RD., Futian, Shenzhen, China

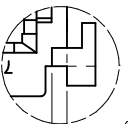


CKT. SIZE	ENG. NO.	EDP. NO.	DIM. 'A' REF.	DIM. 'B'
2	30068-2	15-97-6021	----	.467 (11.86)
4	30068-4	15-97-6041	.165 (4.20)	.467 (11.86)
6	30068-6	15-97-6061	.331 (8.40)	.633 (16.08)
8	30068-8	15-97-6081	.496 (12.60)	.798 (20.27)
10	30068-10	15-97-6101	.661 (16.80)	.963 (24.46)
14	30068-14	NOT TOOLED	.992 (25.20)	1.294 (32.87)
16	30068-16	15-97-6161	1.157 (29.40)	1.459 (37.06)

SEE SHT. 2 FOR 18 THRU 24 CKT'S.

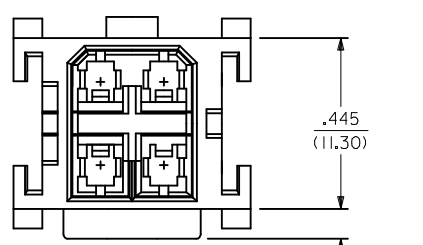
LEGEND:

30068 - *
CIRCUIT SIZE (2-24)



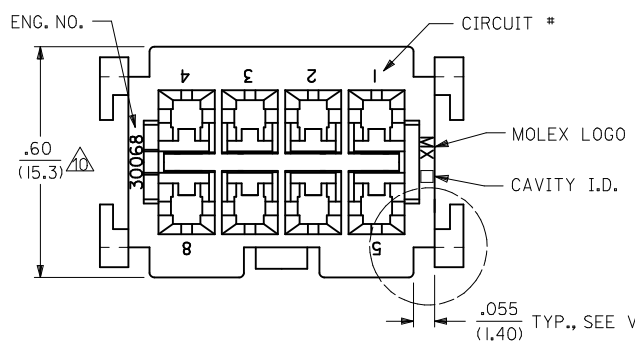
.04 (1.0) ON 6 & 16 CKT. PARTS ONLY.

VIEW 'A'

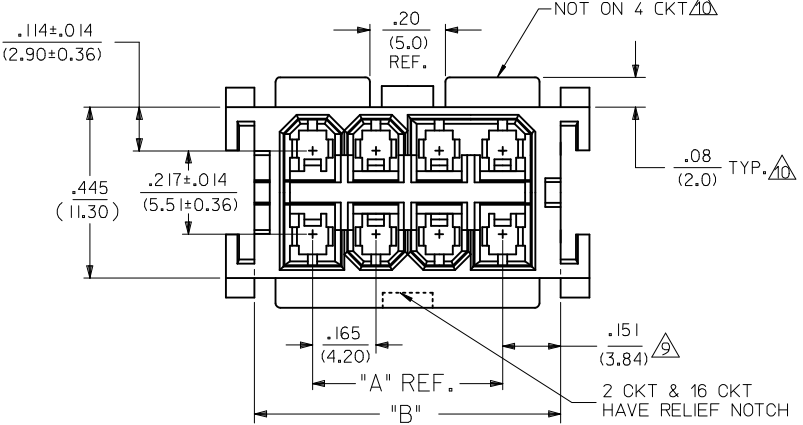
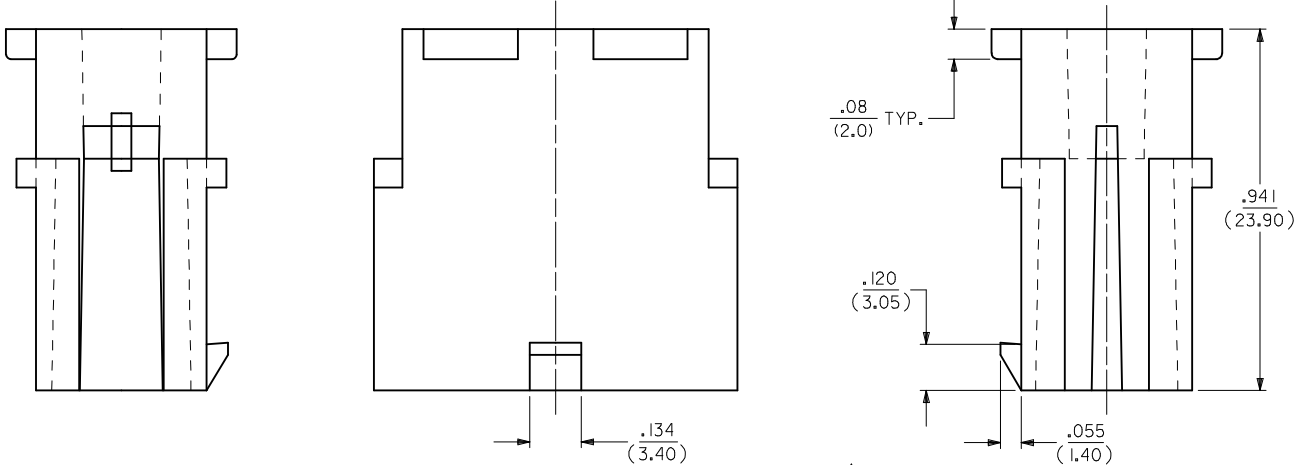


4 CIRCUIT VERSION

SEE SHT. #3 FOR PARTS WITH MOUNTING EARS

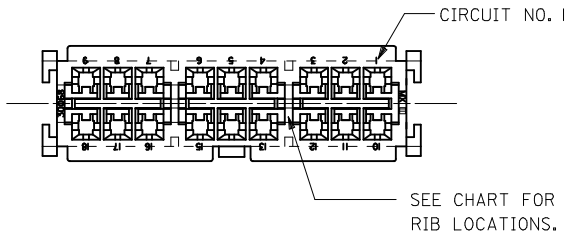


- NOTES:
- MATERIAL: UNFILLED POLYESTER, U.L. 94V-0; COLOR: BLACK
 - FINISH: N/A
 - PRODUCT SPECIFICATION: PS-5556-003
 - PACKAGING: BULK
 - HOUSING TO BE USED WITH TERMINAL #5558.
 - HOUSING MATES WITH RECEPTACLE #30067
 - 2 THRU 10 AND 14 THRU 24 CKT. HOUSING TO BE USED WITH T.P.A. NO. 30072-*
 - PART CONFORMS TO CLASS 'B' REQUIREMENTS OF COSMETIC SPECIFICATION PS-45499-002.
 - .15/3.84 DIMENSION IS .234/5.94 ON 2 CKT PARTS.
 - SEE 4 CKT VIEW FOR 4 CKT PARTS

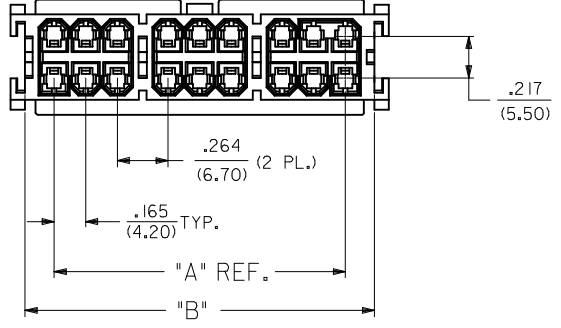
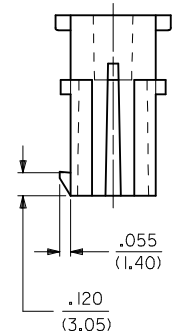
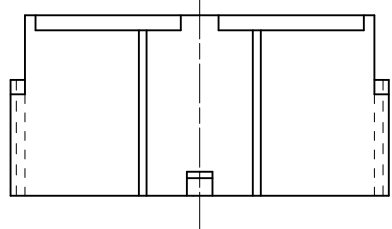
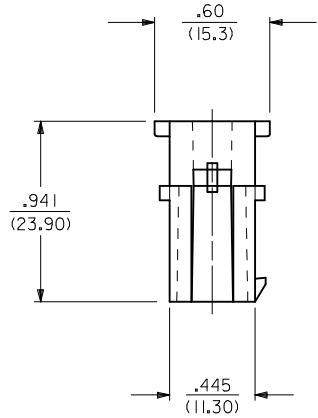


ADD NOTES 9 & 10 EC NO: UCP2013-3729 DRW: NGUYEN 2013/03/25 CHKD: BELL 2013/03/25 APPR: FSMITH 2013/04/25 REV: R5	QUALITY SYMBOLS ▽=0 ▽=0 ▽=0	GENERAL TOLERANCES (UNLESS SPECIFIED) <table border="1"> <thead> <tr> <th></th> <th>mm</th> <th>INCH</th> </tr> </thead> <tbody> <tr> <td>4 PLACES</td> <td>± .010</td> <td>± .0004</td> </tr> <tr> <td>3 PLACES</td> <td>± .010</td> <td>± .0004</td> </tr> <tr> <td>2 PLACES</td> <td>± 0.25</td> <td>± .010</td> </tr> <tr> <td>1 PLACE</td> <td>± 0.36</td> <td>± .014</td> </tr> <tr> <td>0 PLACE</td> <td>±</td> <td>±</td> </tr> </tbody> </table>		mm	INCH	4 PLACES	± .010	± .0004	3 PLACES	± .010	± .0004	2 PLACES	± 0.25	± .010	1 PLACE	± 0.36	± .014	0 PLACE	±	±	DIMENSION STYLE IN/MM	SCALE 4:1	DESIGN UNITS METRIC	THIRD ANGLE PROJECTION
		mm	INCH																					
	4 PLACES	± .010	± .0004																					
	3 PLACES	± .010	± .0004																					
	2 PLACES	± 0.25	± .010																					
1 PLACE	± 0.36	± .014																						
0 PLACE	±	±																						
DRAFT WHERE APPLICABLE MUST REMAIN WITHIN DIMENSIONS		MATERIAL NO. SEE CHART		DOCUMENT NO. SD-30068-*		SHEET NO. 1 OF 3																		
THIS DRAWING CONTAINS INFORMATION THAT IS PROPRIETARY TO MOLEX INCORPORATED AND SHOULD NOT BE USED WITHOUT WRITTEN PERMISSION																								

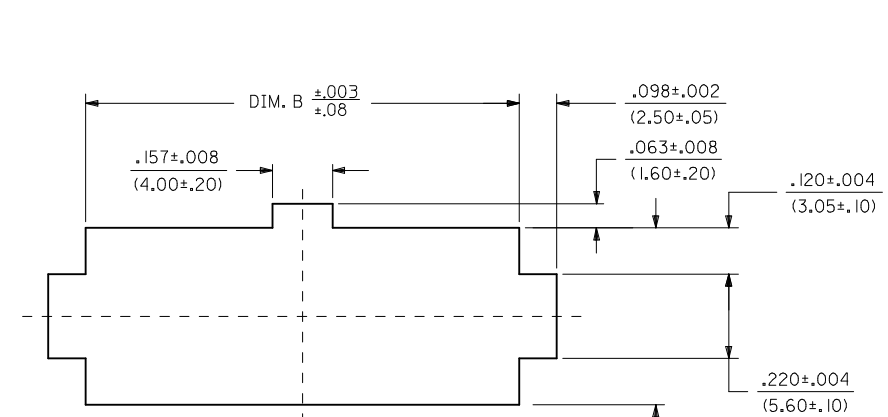
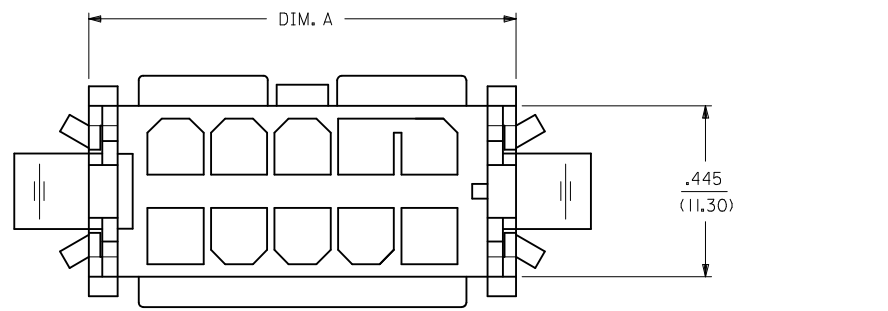
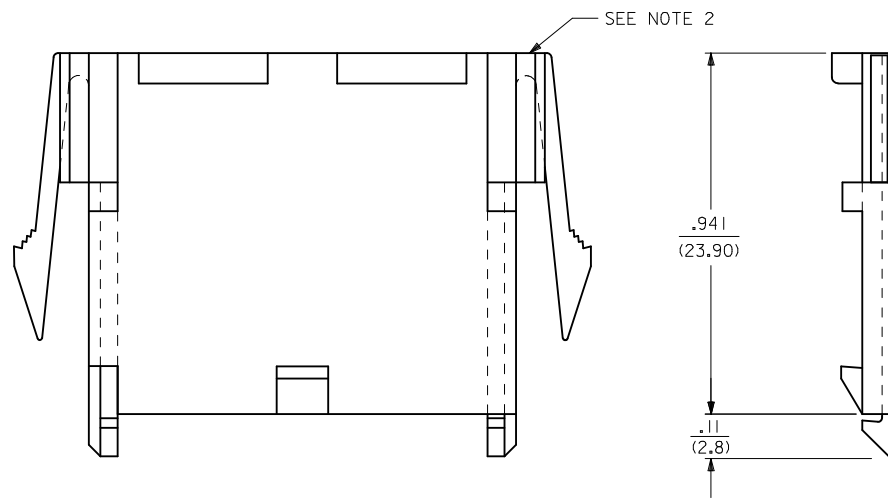
CKT. NO.	ENG. NO.	PART NO.	DIM. A'	DIM. B'	RIBS LOCATED BETWEEN CKT'S.
18	30068-18	NOT TOOLED	1.520 (38.60)	1.822 (46.28)	3,4 & 6,7
20	30068-20	NOT TOOLED	1.685 (42.80)	1.987 (50.46)	3,4 & 7,8
22	30068-22	NOT TOOLED	1.850 (47.00)	2.152 (54.66)	4,5 & 7,8
24	30068-24	NOT TOOLED	2.016 (51.20)	2.318 (58.88)	4,5 & 8,9
SEE SHT. 1 FOR 2 THRU 16 CKT'S.					



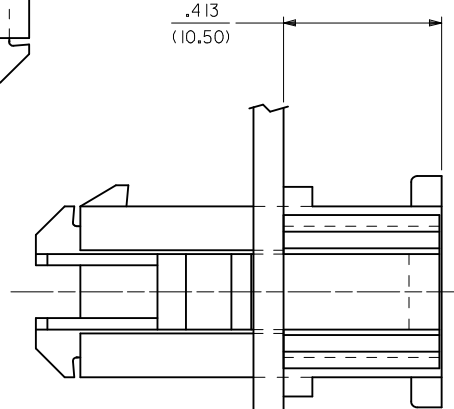
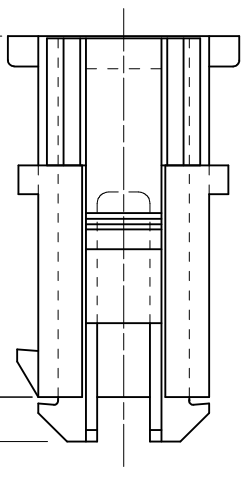
LEGEND:
 30068 - *
 CIRCUIT SIZE (18-24)



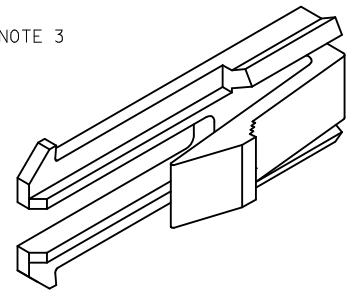
SEE SHEET 1 EC NO: UCP2013-3729 DRAWN: NGUYEN 2013/03/25 CHKD: BELL 2013/03/25 APPR: SMITH 2013/04/25 REV: R5	QUALITY SYMBOLS	GENERAL TOLERANCES (UNLESS SPECIFIED)	DIMENSION STYLE	SCALE	DESIGN UNITS	THIRD ANGLE PROJECTION
	▽=0	mm INCH	IN/MM	2:1	METRIC	
	▽=0	4 PLACES ± --- ± ---	DRAWN BY DATE	TITLE	DOCUMENT NO.	SHEET NO.
	▽=0	3 PLACES ± --- ± .010	DMF 1989/10/26			
	▽=0	2 PLACES ± 0.25 ± .014	CHECKED BY DATE	MINI FIT TPA PLUG HSG 2 THRU 24 CIRCUITS WITH OR W/O MTG EARS		
▽=0	1 PLACE ± 0.36 ± ---	TGP 1989/10/26	molex			
	0 PLACE ± ±	APPROVED BY DATE	SD-30068-*			2 OF 3
		FSMITH 2011/08/25	SEE CHART			
		ANGULAR ±1/2°	THIS DRAWING CONTAINS INFORMATION THAT IS PROPRIETARY TO MOLEX INCORPORATED AND SHOULD NOT BE USED WITHOUT WRITTEN PERMISSION			



RECOMMENDED PANEL OPENING FOR USE WITH PLUGS WITH MOUNTING EARS.
RECOMMENDED PANEL THICKNESS .031/(0.8)-.08/(2.0).



.031/.080
(.8/2.0)
PANEL THICKNESS



- NOTES:**
- 1) MOUNTING EAR MATERIAL: UNFILLED POLYESTER, P.B.T., COLOR: BLACK.
 - 2) MOUNTING EARS TO BE INSERTED INTO SIDE SLOTS FROM BACK OF HOUSING.
 - 3) HOUSING ASSEMBLY TO BE INSERTED FROM PUNCH SIDE OF PANEL.
 - 4) REFER TO DRAWING SD-43130-0001 MOUNTING EAR INFORMATION

NUMBER OF CIRCUITS	DIM. A	DIM. B
2	.617 (15.67)	.634 (16.10)
4	.617 (15.67)	.634 (16.10)
6	.783 (19.89)	.799 (20.30)
8	.948 (24.08)	.965 (24.50)
10	1.113 (28.27)	1.130 (28.70)
12	1.279 (32.49)	1.295 (32.90)
14	1.444 (36.68)	1.461 (37.10)
16	1.609 (40.87)	1.626 (41.30)
18	1.972 (50.09)	1.988 (50.50)
20	2.137 (54.28)	2.154 (54.70)
22	2.303 (58.50)	2.319 (58.90)
24	2.468 (62.69)	2.484 (63.10)

SEE SHEET 1 EC NO: UCP2013-3729 DRAWING: NGUYEN 2013/03/25 CHKD: J.BELL 2013/03/25 APPR: F.SMITH 2013/04/25	QUALITY SYMBOLS	GENERAL TOLERANCES (UNLESS SPECIFIED)	DIMENSION STYLE	SCALE	DESIGN UNITS	THIRD ANGLE PROJECTION
	▽=0	mm	IN/MM	4:1	METRIC	☉
	▽=0	INCH	DRAWN BY	DATE	TITLE	
	▽=0	4 PLACES ± --- ± ---	DMF	1989/10/26	MINI FIT TPA PLUG HSG	
		3 PLACES ± --- ± .010	CHECKED BY	DATE	2 THRU 24 CIRCUITS	

2 PLACES ± 0.25 ± .014	TGP	1989/10/26
1 PLACE ± 0.36 ± ---	APPROVED BY	DATE
0 PLACE ± ±	F.SMITH	2011/08/25
ANGULAR ±1/2°		
DRAFT WHERE APPLICABLE MUST REMAIN WITHIN DIMENSIONS		

MATERIAL NO.	DOCUMENT NO.	SHEET NO.
SEE CHART	SD-30068-*	3 OF 3

molex THIS DRAWING CONTAINS INFORMATION THAT IS PROPRIETARY TO MOLEX INCORPORATED AND SHOULD NOT BE USED WITHOUT WRITTEN PERMISSION		
-----------------------------------------------------------------------------------------------------------------------------------------------	--	--