



Chipsmall Limited consists of a professional team with an average of over 10 year of expertise in the distribution of electronic components. Based in Hongkong, we have already established firm and mutual-benefit business relationships with customers from,Europe,America and south Asia,supplying obsolete and hard-to-find components to meet their specific needs.

With the principle of "Quality Parts,Customers Priority,Honest Operation,and Considerate Service",our business mainly focus on the distribution of electronic components. Line cards we deal with include Microchip,ALPS,ROHM,Xilinx,Pulse,ON,Everlight and Freescale. Main products comprise IC,Modules,Potentiometer,IC Socket,Relay,Connector.Our parts cover such applications as commercial,industrial, and automotives areas.

We are looking forward to setting up business relationship with you and hope to provide you with the best service and solution. Let us make a better world for our industry!



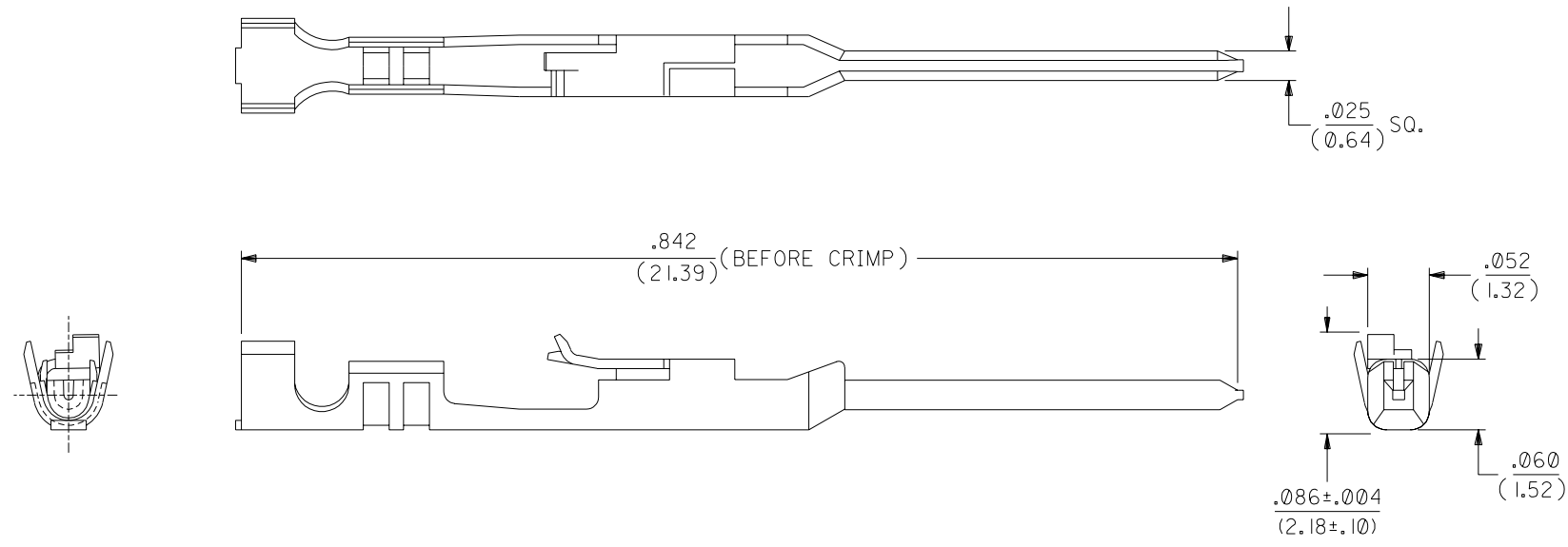
Contact us

Tel: +86-755-8981 8866 Fax: +86-755-8427 6832

Email & Skype: info@chipsmall.com Web: www.chipsmall.com

Address: A1208, Overseas Decoration Building, #122 Zhenhua RD., Futian, Shenzhen, China





NOTES:

1. TERMINAL FOR USE WITH HOUSING PART NO. 70066-**** & 70107-****.
2. MATERIAL: .008/(0.20) THK. PHOSPHOR BRONZE.
3. TERMINAL TO BE USED WITH 24-30 AWG STRANDED WIRE WITH .060 DIA. MAX. INSULATION.
4. REFER TO MOLEX OPERATIONAL AND SERVICE MANUAL FOR DETAILS.
5. REFER TO PRODUCT SPECIFICATION NO. PS-70021.
6. PARTS SUPPLIED LOOSE PER DRAWING PK-70873-0822.

PLATING:

.000150 MIN. TIN PLATE
OVER NICKEL PLATE.

*THE PRIMARY SHIPPING CARTON WILL BE LABELED "COMPLIANT TO RoHS DIRECTIVE 2002/95/EC AND ELV ANNEX II OF DIRECTIVE 2000/53/EC". CARTONS WITHOUT THIS LABEL MAY CONTAIN PRODUCT WITH LEAD.

| | |
|----|--|
| D | LEAD FREE UCP2004-1769 RWHITE 04/03/15 |
| C2 | REVISED PER ECR #U80270 MCGRATH 97/07/31 |
| C1 | REVISED PER ECR #U70928 MCGRATH 97/06/26 |
| C | 164 PLTG. WAS 102 PER ECR # U31149 08/19/93 REED |
| B | REDRAWN ON CAD PER ECR # 9509 11/10/86 WJF/MJM |

MFG. SH. REV. LTR. REVISIONS

| | | | | | |
|---|--------|--|--|---------------------------|--|
| DIMENSIONS SHOWN (METRIC) INCH | | ▽ = 0 ▼ = 0 | | REVISE ONLY ON CAD SYSTEM | |
| UNLESS OTHERWISE SPECIFIED TOLERANCES: ANGULAR ± 1/2° | | | | | |
| | | INCH | | METRIC | |
| 3 PLACE | ± .010 | --- | | | |
| 2 PLACE | ± .015 | ± 0.25 | | | |
| 1 PLACE | --- | ± 0.35 | | | |
| DRAFT WHERE APPLICABLE MUST REMAIN WITHIN DIMENSIONS | | | | | |
| DRWG. BY: WJF | | CHK'D. BY: MJM | | | |
| APP'D. BY: WAZ | | SCALE: 10:1 | | | |
| FILE NAME: S70021X4 DGN | | THIS DRAWING CONTAINS INFORMATION THAT IS PROPRIETARY TO MOLEX INC. AND SHOULD NOT BE USED WITHOUT WRITTEN PERMISSION. | | | |
| MOLEX INCORPORATED LISLE, ILL. 60532 U.S.A. | | SHEET NO. 1 | | DATE 10/30/86 | |
| PART NO. 16-02-0108 | | DRWG. NO. SD-70021-0204 | | | |
| DIV. DA | | SIZE B | | | |