



Chipsmall Limited consists of a professional team with an average of over 10 year of expertise in the distribution of electronic components. Based in Hongkong, we have already established firm and mutual-benefit business relationships with customers from,Europe,America and south Asia,supplying obsolete and hard-to-find components to meet their specific needs.

With the principle of “Quality Parts,Customers Priority,Honest Operation,and Considerate Service”,our business mainly focus on the distribution of electronic components. Line cards we deal with include Microchip,ALPS,ROHM,Xilinx,Pulse,ON,Everlight and Freescale. Main products comprise IC,Modules,Potentiometer,IC Socket,Relay,Connector.Our parts cover such applications as commercial,industrial, and automotives areas.

We are looking forward to setting up business relationship with you and hope to provide you with the best service and solution. Let us make a better world for our industry!



## Contact us

Tel: +86-755-8981 8866 Fax: +86-755-8427 6832

Email & Skype: info@chipsmall.com Web: www.chipsmall.com

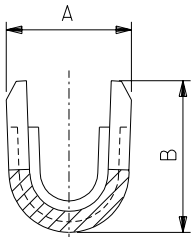
Address: A1208, Overseas Decoration Building, #122 Zhenhua RD., Futian, Shenzhen, China



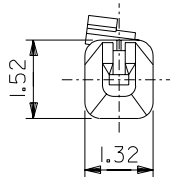
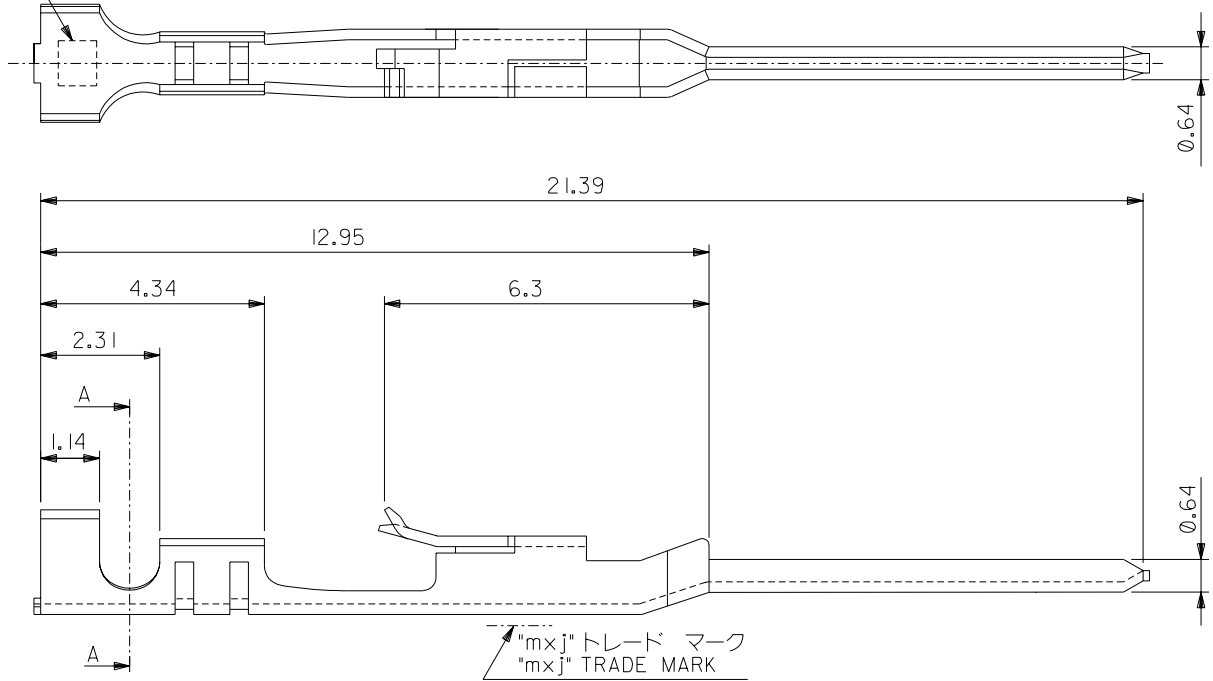
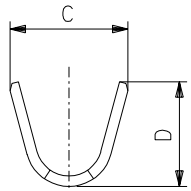
ENG. NO.  
SD-70021-0\*04

EDP NO.  
#

適用電線表示  
CRIMP SIZE CODE LETTER



断面 A-A  
SECTION A-A  
(SCALE:20-1)



注記:  
NOTES:

- 適合ハウジング: 70066-\*\*\*\*, 70107-\*\*\*\*  
APPLICABLE HOUSING: 70066-\*\*\*\*, 70107-\*\*\*\*
- 仕上げ ニッケル下地、錫メッキ  
FINISH TIN OVER NICKEL PLATING

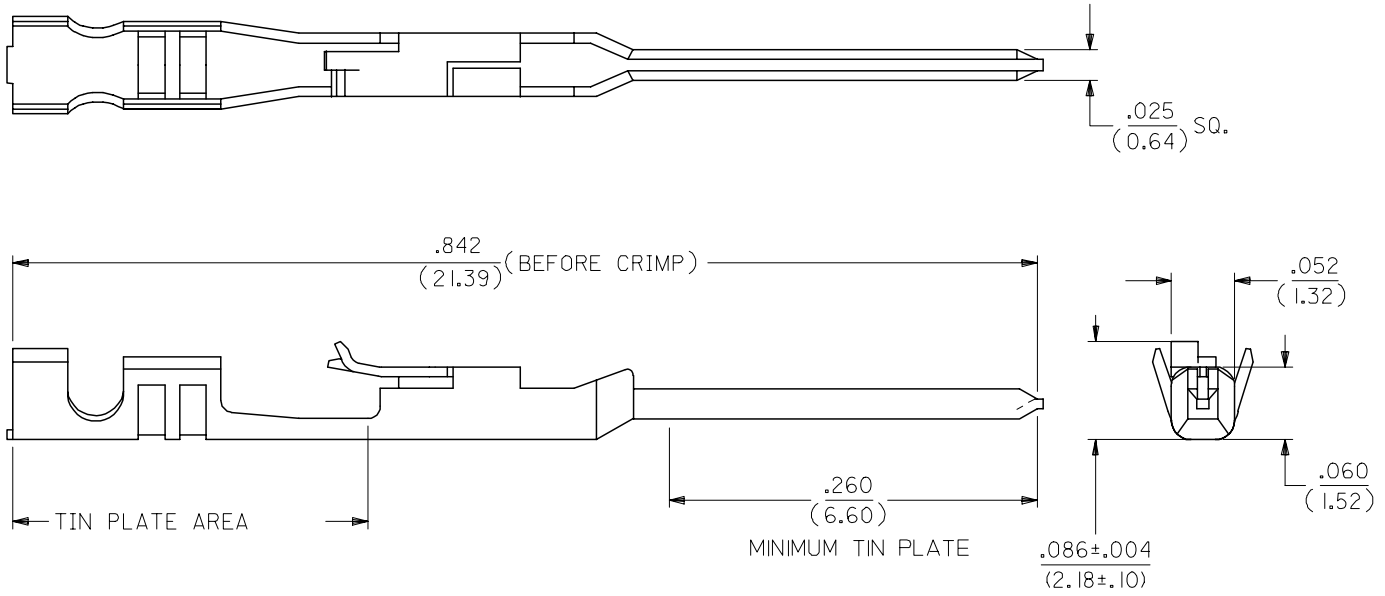
1.91	2.1	1.47	1.22	A	適用電線表示 CRIMP SIZE CODE LETTER	被覆外径 INS. RANGE	適用電線範囲 WIRE RANGE	バラ状 LOOSE	70021-0204
1.91	2.1	1.65	1.84	C				AWC#24-#30	連鎖状 CHAIN
D	C	B	A					バラ状 LOOSE	70021-0221
								連鎖状 CHAIN	70021-0021
								端子形状 FORM	MATERIAL No.
								材料 MATERIAL	磷青銅 PHOSPHOR BRONZE
								仕上げ FINISH	注記参照 SEE NOTES
								適用電線範囲 WIRE RANGE	表参照 SEE CHART
								被覆外径 INS. RANGE	表参照 SEE CHART
								DRAWN BY	CHK'D BY A.A.
								APP'D BY	尺度 SCALE 10-1
								TITLE 名称 SL MALE CRIMP TERMINAL -LEAD FREE-	

角度 ANGLE	+3°	B	変更 REVISED (J2004-4519)	Y.W.	M.S.	04/05/31
30以上 OVER	+0.3	A	変更 REVISED (T20159)	H.I.	H.I.	19/5/20
10以上 OVER	+0.25	①	新規作成 RELEASED (T00110)	Y.W.	M.S.	19/4/6
10未満 UNDER	+0.2	記号 LTR	変更内容 REVISION RECORD	DR. CHK.	日付 DATE	
一般公差 GENERAL TOLERANCES		REVISE ONLY ON CAD SYSTEM				

DIMENSIONS IN METRIC DO NOT SCALE DRAWING

S70021(SN.DWG)

10 9 8 7 6 5 4 3 2 1



**NOTES:**

1. TERMINAL FOR USE WITH HOUSING PART NO. 70066-\*\*\*\* & 70107-\*\*\*\*.
2. MATERIAL: .008/(0.20) THK. PHOSPHOR BRONZE.
3. TERMINAL TO BE USED WITH 22-24 AWG STRANDED WIRE WITH .064 DIA. MAX. INSULATION.
4. REFER TO MOLEX OPERATIONAL AND SERVICE MANUAL FOR DETAILS.
5. REFER TO PRODUCT SPECIFICATION NO. PSX70021.
6. PARTS SUPPLIED LOOSE PER DRAWING PK-70873-0822.

\*THE PRIMARY SHIPPING CARTON WILL BE LABELED "COMPLIANT TO RoHS DIRECTIVE 2002/95/EC AND ELV ANNEX II OF DIRECTIVE 2000/53/EC". CARTONS WITHOUT THIS LABEL MAY CONTAIN PRODUCT WITH LEAD.

**PLATING:**

.000150 MIN. TIN PLATE OVER NICKEL PLATE.

MODIFY PLATE CALLOUT EC NO: UCP2006-2279 DRWN:MSIBARRA 2006/04/04 CHKD:DMORGAN 2006/04/04 APPR:SMILLER 2006/04/04	QUALITY SYMBOLS	GENERAL TOLERANCES (UNLESS SPECIFIED)	DIMENSION STYLE IN/MM	SCALE 10:1	DESIGN UNITS INCH	THIRD ANGLE PROJECTION																											
	▽=0 ▽=0	<table border="1"> <thead> <tr> <th></th> <th>mm</th> <th>INCH</th> </tr> </thead> <tbody> <tr> <td>4 PLACES</td> <td>± ---</td> <td>± ---</td> </tr> <tr> <td>3 PLACES</td> <td>± ---</td> <td>± .010</td> </tr> <tr> <td>2 PLACES</td> <td>± 0.25</td> <td>± .015</td> </tr> <tr> <td>1 PLACE</td> <td>± 0.35</td> <td>± ---</td> </tr> </tbody> </table>		mm	INCH	4 PLACES	± ---	± ---	3 PLACES	± ---	± .010	2 PLACES	± 0.25	± .015	1 PLACE	± 0.35	± ---	<table border="1"> <thead> <tr> <th>DRAWN BY</th> <th>DATE</th> </tr> </thead> <tbody> <tr> <td>WJF</td> <td>1986/10/30</td> </tr> <tr> <th>CHECKED BY</th> <th>DATE</th> </tr> <tr> <td>MJM</td> <td>1986/10/30</td> </tr> <tr> <th>APPROVED BY</th> <th>DATE</th> </tr> <tr> <td>WAZ</td> <td>1986/10/30</td> </tr> </tbody> </table>	DRAWN BY	DATE	WJF	1986/10/30	CHECKED BY	DATE	MJM	1986/10/30	APPROVED BY	DATE	WAZ	1986/10/30	TITLE	TERMINAL, MALE CRIMP	
		mm	INCH																														
	4 PLACES	± ---	± ---																														
3 PLACES	± ---	± .010																															
2 PLACES	± 0.25	± .015																															
1 PLACE	± 0.35	± ---																															
DRAWN BY	DATE																																
WJF	1986/10/30																																
CHECKED BY	DATE																																
MJM	1986/10/30																																
APPROVED BY	DATE																																
WAZ	1986/10/30																																
DRAFT WHERE APPLICABLE MUST REMAIN WITHIN DIMENSIONS	MATERIAL NO. 16-02-0114	DOCUMENT NO. SD-70021-0221	MOLEX INCORPORATED		SHEET NO. 1 OF 1																												

9 8 7 6 5 4 3 2 1