



Chipsmall Limited consists of a professional team with an average of over 10 year of expertise in the distribution of electronic components. Based in Hongkong, we have already established firm and mutual-benefit business relationships with customers from,Europe,America and south Asia,supplying obsolete and hard-to-find components to meet their specific needs.

With the principle of "Quality Parts,Customers Priority,Honest Operation,and Considerate Service",our business mainly focus on the distribution of electronic components. Line cards we deal with include Microchip,ALPS,ROHM,Xilinx,Pulse,ON,Everlight and Freescale. Main products comprise IC,Modules,Potentiometer,IC Socket,Relay,Connector.Our parts cover such applications as commercial,industrial, and automotives areas.

We are looking forward to setting up business relationship with you and hope to provide you with the best service and solution. Let us make a better world for our industry!



Contact us

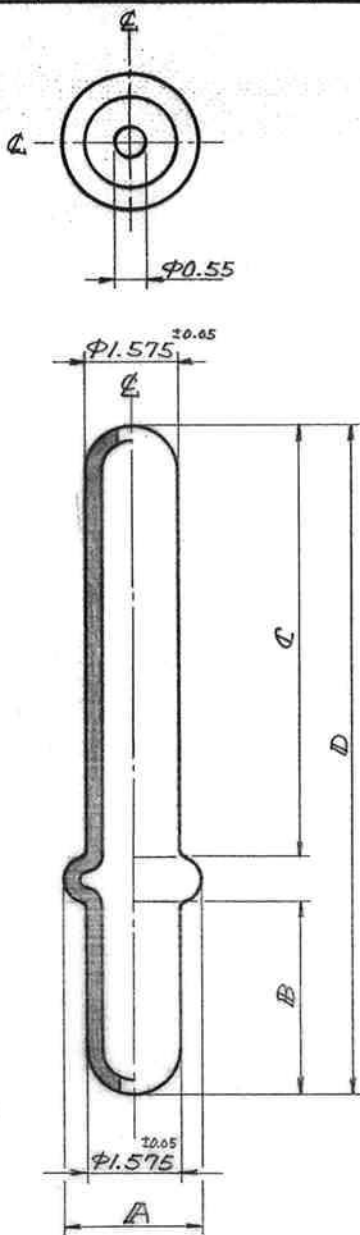
Tel: +86-755-8981 8866 Fax: +86-755-8427 6832

Email & Skype: info@chipsmall.com Web: www.chipsmall.com

Address: A1208, Overseas Decoration Building, #122 Zhenhua RD., Futian, Shenzhen, China



EDP NO. 16-06-00**
 ENG. NO. SD-R62-*



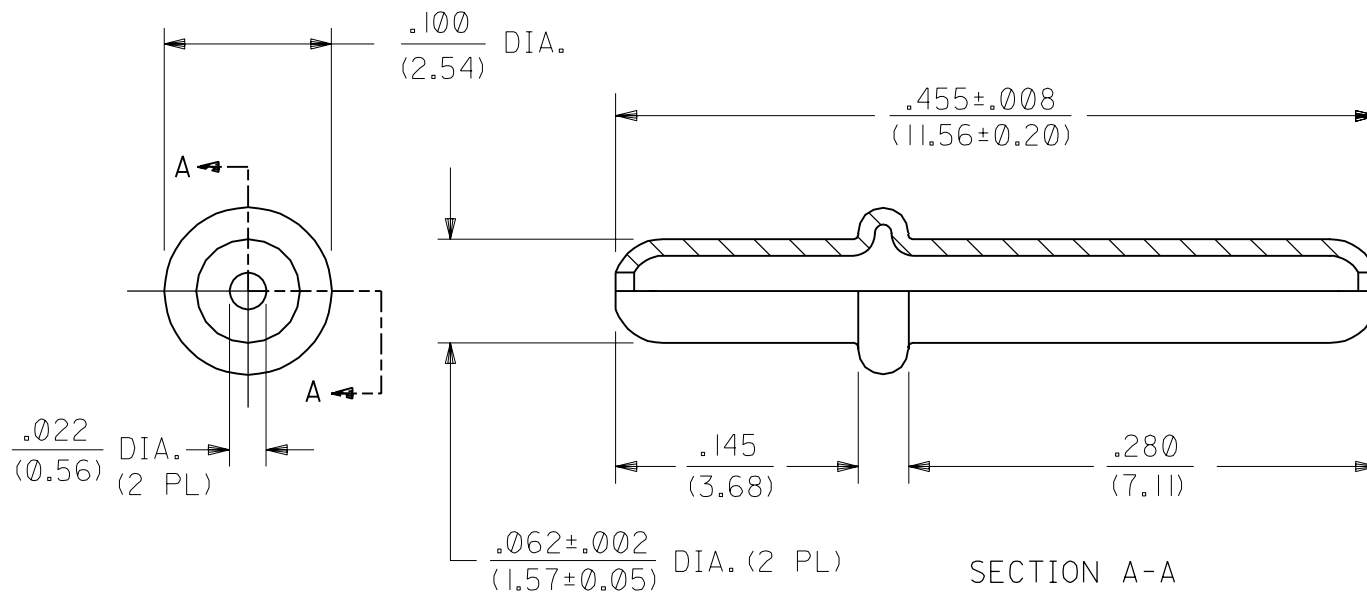
注記

1. 推奨プリント基板穴径: $\phi 1.65$ ^{±0.05}

DIMENSIONS IN METRIC DO NOT SCALE DRAWING

角度 ANGLE	± 3°	16-06-0010	R62-5	φ2.55	3.68	7.1	11.55	錫メッキ(3μmin.)
30 以上 OVER	±0.3	↓	↓					
10 以上 OVER 30 未満 UNDER	±0.25	↓	↓	φ2.28	3.18	10.15	14.1	錫メッキ(3μmin.)
10 未満 UNDER	±0.2	16-06-0004	R62-3	φ2.29	3.18	7.11	11.05	錫メッキ(3μmin.)
一般公差 GENERAL TOLERANCES		EDP NO.	ENG. NO.	A	B	C	D	メッキ仕様 備考

材料 MATERIAL		貴銅		MOLEX-JAPAN CO., LTD. 日本モレックス株式会社	
仕上 FINISH		長参照		EDP NO. 16-06-00**	
適用電線範囲 WIRE RANGE				ENG. NO. SD-R62-*	
被覆外径 INS. RANGE				REV D	
D REVISED	ECN No. 2395	MS	4/1/82	DRAWN BY	
C REDRAWN	ECN No. 789	MS	4/25/78	CHK'D BY	
記号 LTR	変更内容 REVISION RECORD	DR. CHK.	日付 DATE	APP'D BY	
				尺 度 SCALE 8-1	
TITLE 名称: BEAD PIN					



NOTES:

1. MATERIAL: CARTRIDGE BRASS, ALLOY #C26000.
2. FINISH: .000200/(0.00508) MIN. ELECTRO TIN PLATE.

A

NEW SALES DWG.
ECN U2 0738
5-7-92 RW

MFG.	SH.	REV.	LTR.	REVISIONS
------	-----	------	------	-----------

DIMENSIONS SHOWN (METRIC) INCH		$\nabla = 0$ $\blacktriangledown = 0$		REVISE ONLY ON CAD SYSTEM	
UNLESS OTHERWISE SPECIFIED TOLERANCES: ANGULAR $\pm 1/2^\circ$					
		INCH	METRIC		
3 PLACE	$\pm .010$	---	---		
2 PLACE	$\pm .014$	± 0.25	---		
1 PLACE	---	± 0.36	---		
DRAFT WHERE APPLICABLE MUST REMAIN WITHIN DIMENSIONS					
DRWG. BY	RW	CHK'D. BY	RW		
APP'D. BY	RAS	SCALE	10:1		
TITLE		$\nabla = 0$ $\blacktriangledown = 0$			
$\nabla = 0$ $\blacktriangledown = 0$					
.062/(1.57) DIA. PIN FOR P.C. BOARD MOUNTING					
MOLEX INCORPORATED LISLE, ILL. 60532 U.S.A.		SHEET NO. 1 OF 1		DATE 5/7/92	
PART NO. 16-06-0010		DRWG. NO. SDSP-599			
FILE NAME S599X1 DGN		THIS DRAWING CONTAINS INFORMATION THAT IS PROPRIETARY TO MOLEX INC. AND SHOULD NOT BE USED WITHOUT WRITTEN PERMISSION.			DIV. CP SIZE A