



Chipsmall Limited consists of a professional team with an average of over 10 year of expertise in the distribution of electronic components. Based in Hongkong, we have already established firm and mutual-benefit business relationships with customers from,Europe,America and south Asia,supplying obsolete and hard-to-find components to meet their specific needs.

With the principle of “Quality Parts,Customers Priority,Honest Operation,and Considerate Service”,our business mainly focus on the distribution of electronic components. Line cards we deal with include Microchip,ALPS,ROHM,Xilinx,Pulse,ON,Everlight and Freescale. Main products comprise IC,Modules,Potentiometer,IC Socket,Relay,Connector.Our parts cover such applications as commercial,industrial, and automotives areas.

We are looking forward to setting up business relationship with you and hope to provide you with the best service and solution. Let us make a better world for our industry!



Contact us

Tel: +86-755-8981 8866 Fax: +86-755-8427 6832

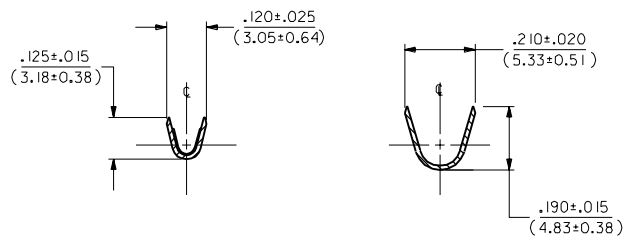
Email & Skype: info@chipsmall.com Web: www.chipsmall.com

Address: A1208, Overseas Decoration Building, #122 Zhenhua RD., Futian, Shenzhen, China

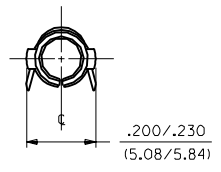


PART NO.	ENG. NO.
18-12-1222	2047-(K(P90)DL
18-12-1221	2047-(K(P90)I

2047

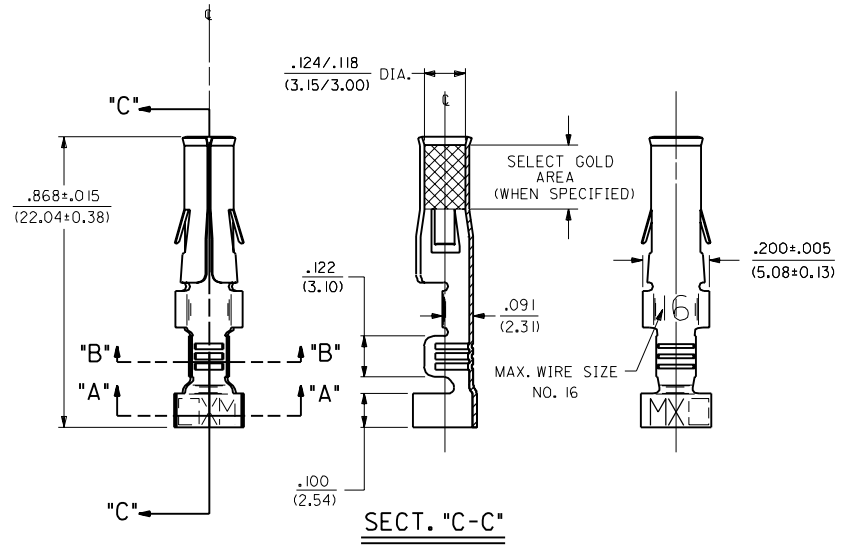


SECT. "B-B" SECT. "A-A"



LEGEND

2047-I(****)*
 VERSION _____
 .120/(3.05) MAX. DIA. INSULATION _____
 P=PREPLATE _____
 BLANK=POSTPLATE _____
 FINISH CODE _____
 FORM BLANK=CHAIN L=LOOSE



SECT. "C-C"

NOTES:

1. TERMINAL FOR USE WITH .125/(3.17) SERIES HOUSINGS AND WILL ACCEPT 16 THRU 18 AWG WIRE HAVING A .120/(3.05) MAX. DIAMETER INSULATION.
2. INSERTION FORCE: 6.0 LBS. MAX. WHEN TERMINAL IS INSERTED INTO .125/(3.17) DIA. CORE HOLE.
3. PULL OUT FORCE: 30 LBS. MIN. RETENTION IN HOUSING.

FINISH CODES:

901 HOT TIN DIP .000020/(0.0005) MIN.

MATERIAL NOTES:

1. CARTRIDGE BRASS, ALLOY #C26000;
 .013/(0.33) THICK, SPRING TEMPER

REV.	DATE	BY	CHKD.	REV.	LTR.	REVISIONS
E1	03/21/95	KC	RW			OBS. - #555) & - #555) L ECR UB 03/95
E	02/30/90		RW			ADD SELECT AREA ECR #UO 02/30 3-5-90
D	11/28/89		TRM			REVISE PER ECR US 1189
C	10/4/88		RW			REV. & REDRAWN ECR UB 1941 KBW 10-4-88

DIMENSIONS SHOWN METRIC () INCH		UNLESS OTHERWISE SPECIFIED TOLERANCES: ANGULAR ± .005 TO		TITLE	
INCH		METRIC		CRIMP TERMINAL, FEMALE, .125/(3.17) DIA 16-18 AWG .120/(3.05) DIA. INSUL.	
3 PLACE	± .010	---	± 0.25	MOLEX INCORPORATED	
2 PLACE	± .014	---	± 0.35	SHEET NO. DATE	
1 PLACE	---	---	---	1 OF 1 10 / 4 / 88	
DRAFT WHERE APPLICABLE MUST REMAIN WITHIN DIMENSIONS				PART NO. SD-2047-1	
DRWG. BY: KBW	CHKD. BY: RW	FILE NAME: S2047.IX1	THIS DRAWING CONTAINS INFORMATION THAT IS PROPRIETARY TO MOLEX INC. AND SHOULD NOT BE USED WITHOUT WRITTEN PERMISSION.		
APP'D. BY: RAS	SCALE: 4 : 1	DWG. NO. SD-2047-1	NO. 1 P.S.		