



Chipsmall Limited consists of a professional team with an average of over 10 year of expertise in the distribution of electronic components. Based in Hongkong, we have already established firm and mutual-benefit business relationships with customers from,Europe,America and south Asia,supplying obsolete and hard-to-find components to meet their specific needs.

With the principle of “Quality Parts,Customers Priority,Honest Operation,and Considerate Service”,our business mainly focus on the distribution of electronic components. Line cards we deal with include Microchip,ALPS,ROHM,Xilinx,Pulse,ON,Everlight and Freescale. Main products comprise IC,Modules,Potentiometer,IC Socket,Relay,Connector.Our parts cover such applications as commercial,industrial, and automotives areas.

We are looking forward to setting up business relationship with you and hope to provide you with the best service and solution. Let us make a better world for our industry!



Contact us

Tel: +86-755-8981 8866 Fax: +86-755-8427 6832

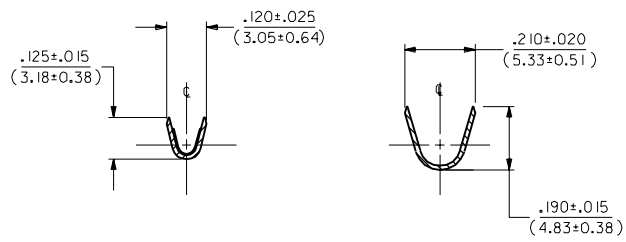
Email & Skype: info@chipsmall.com Web: www.chipsmall.com

Address: A1208, Overseas Decoration Building, #122 Zhenhua RD., Futian, Shenzhen, China



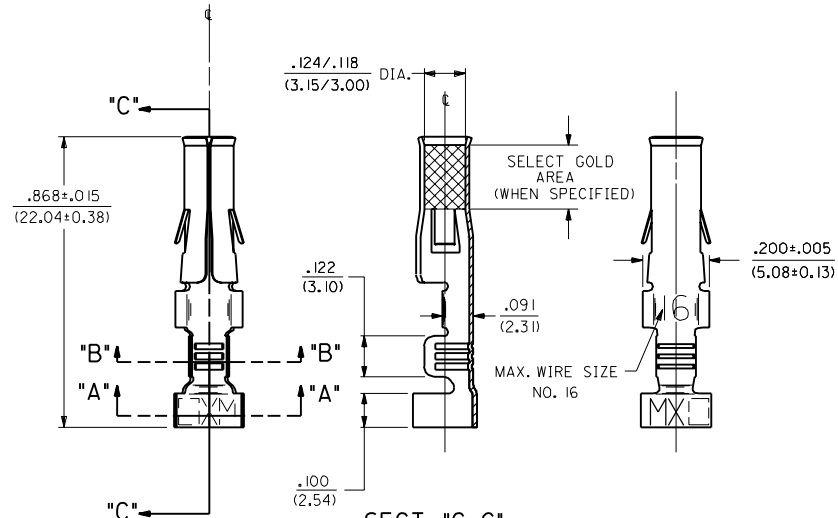
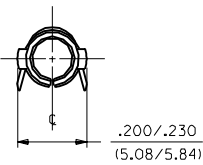
PART NO.	ENG. NO.
18-12-1222	2047-(K(90)1L
18-12-1221	2047-(K(90)1

2047 4 3 2 1



SECT. "B-B"

SECT. "A-A"



SECT. "C-C"

LEGEND

2047-I(****)*

- VERSION
- .120/(3.05) MAX. DIA. INSULATION
- P=PREPLATE
- BLANK=POSTPLATE
- FINISH CODE
- FORM BLANK=CHAIN L=LOOSE

- NOTES:**
1. TERMINAL FOR USE WITH .125/(3.17) SERIES HOUSINGS AND WILL ACCEPT 16 THRU 18 AWG WIRE HAVING A .120/(3.05) MAX. DIAMETER INSULATION.
 2. INSERTION FORCE: 6.0 LBS. MAX. WHEN TERMINAL IS INSERTED INTO .125/(3.17) DIA. CORE HOLE.
 3. PULL OUT FORCE: 30 LBS. MIN. RETENTION IN HOUSING .

FINISH CODES:
901 HOT TIN DIP .000020/(0.0005) MIN.

MATERIAL NOTES:
1. CARTRIDGE BRASS, ALLOY #C26000;
.013/(0.33) THICK, SPRING TEMPER

REV.	DATE	BY	REVISIONS
E1		GW	OBS. - (#555) & - (#555)L ECR US 0379 9/21/95 RW
E			ADD SELECT AREA ECR #UO 0230 3-5-90 RW
D			REVISE PER ECR US 1189 11-28-89 TRM
C			REV. & REDRAWN ECR US 1941 KBW 10-4-88 RW

UNLESS OTHERWISE SPECIFIED: TOLERANCES: ANGULAR ± .030 10

DIMENSIONS SHOWN (METRIC) INCH		UNLESS OTHERWISE SPECIFIED	
INCH	METRIC	TOLERANCE	ANGLE
3 PLACE ± .010	---	± .025	---
2 PLACE ± .014	± 0.25	---	---
1 PLACE ---	± 0.35	---	---

DRAFT WHERE APPLICABLE MUST REMAIN WITHIN DIMENSIONS

TITLE: CRIMP TERMINAL, FEMALE, .125/(3.17) DIA 16-18 AWG .120/(3.05) DIA. INSUL.

MOLEX INCORPORATED

FILE NAME: S2047.IX1
DWN

PART NO.: SD-2047-1

DRWG. NO.: SD-2047-1

DRWG. BY: KBW
CHKD. BY: RW

APP'D. BY: RAS
SCALE: 4 : 1

SHEET NO.: 1 OF 1
DATE: 10 / 4 / 88

REVISIONS: REVISE ONLY ON CAD SYSTEM