



Chipsmall Limited consists of a professional team with an average of over 10 year of expertise in the distribution of electronic components. Based in Hongkong, we have already established firm and mutual-benefit business relationships with customers from,Europe,America and south Asia,supplying obsolete and hard-to-find components to meet their specific needs.

With the principle of "Quality Parts,Customers Priority,Honest Operation,and Considerate Service",our business mainly focus on the distribution of electronic components. Line cards we deal with include Microchip,ALPS,ROHM,Xilinx,Pulse,ON,Everlight and Freescale. Main products comprise IC,Modules,Potentiometer,IC Socket,Relay,Connector.Our parts cover such applications as commercial,industrial, and automotives areas.

We are looking forward to setting up business relationship with you and hope to provide you with the best service and solution. Let us make a better world for our industry!



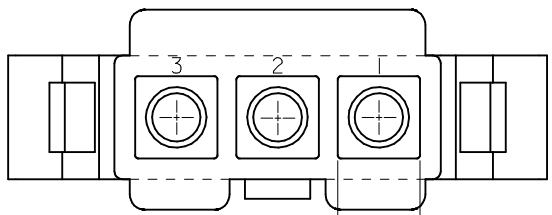
Contact us

Tel: +86-755-8981 8866 Fax: +86-755-8427 6832

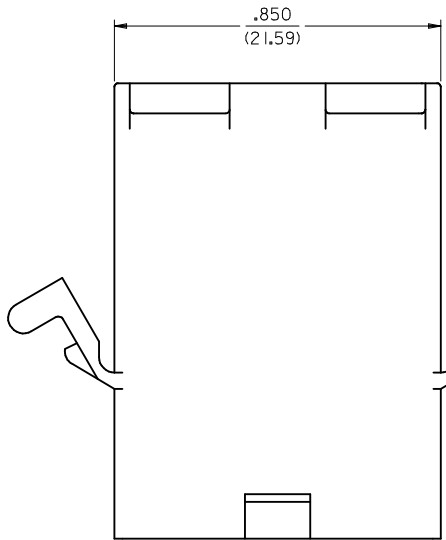
Email & Skype: info@chipsmall.com Web: www.chipsmall.com

Address: A1208, Overseas Decoration Building, #122 Zhenhua RD., Futian, Shenzhen, China



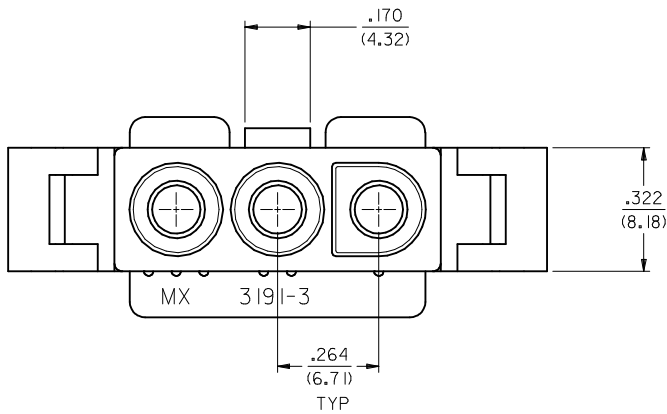


.215
(5.46) SQ, TYP

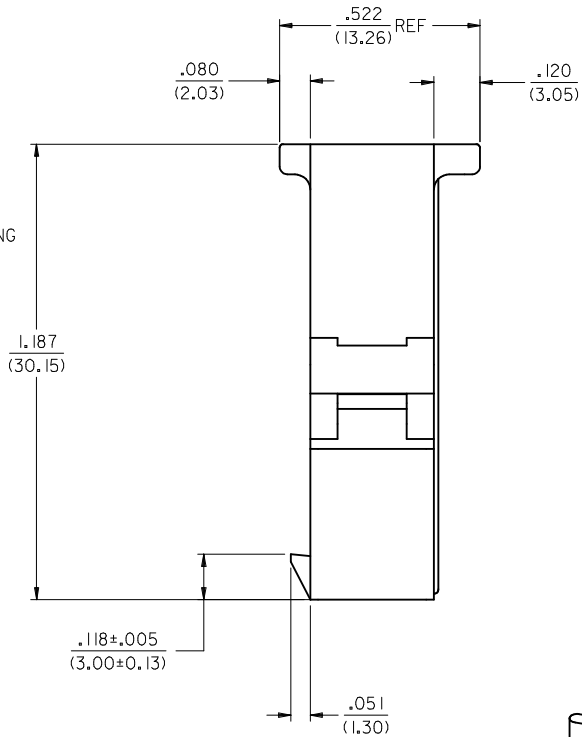


OPTIONAL MOUNTING
EARS, 2 PL, SEE
DETAIL "A", SHT 3

.390
(9.91)

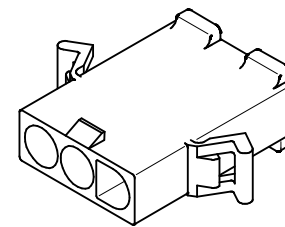


.264
(6.71)
TYP



.118±.005
(3.00±0.13)

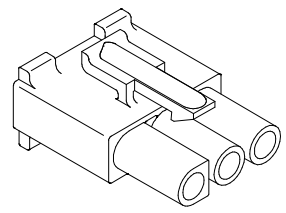
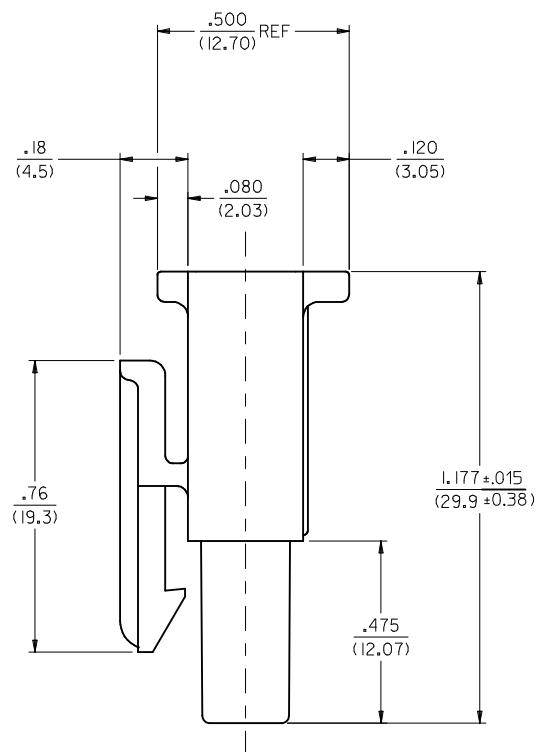
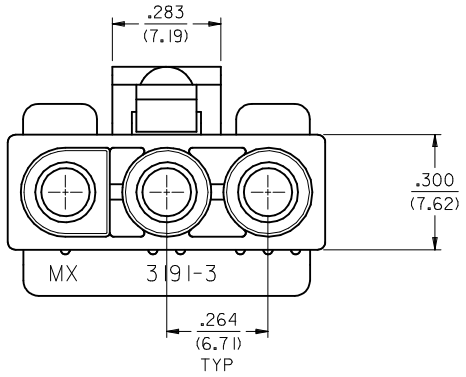
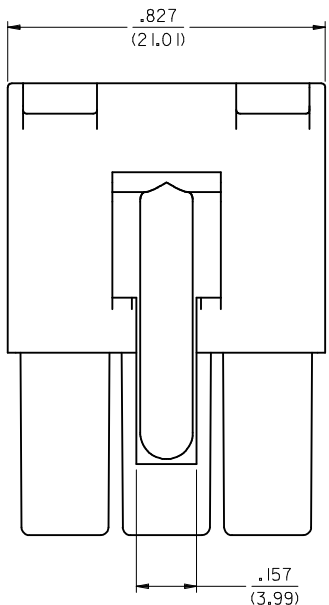
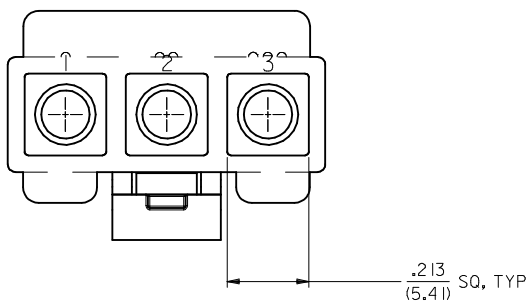
.051
(1.30)



PLUG

3	L2
2	L2
1	L2
SHT. REV.	

UPDATE REV. LEVELS EC NO: UCP2014-2106 DRW: AELHAG 2013/11/12 CHKD: JELL 2013/11/12 APPR: FSMITH 2013/11/13	QUALITY SYMBOLS ▽=0 ▽=0	GENERAL TOLERANCES (UNLESS SPECIFIED) <table border="1"> <thead> <tr> <th></th> <th>mm</th> <th>INCH</th> </tr> </thead> <tbody> <tr> <td>4 PLACES ±</td> <td>---</td> <td>---</td> </tr> <tr> <td>3 PLACES ±</td> <td>---</td> <td>±.010</td> </tr> <tr> <td>2 PLACES ±</td> <td>0.25</td> <td>±.015</td> </tr> <tr> <td>1 PLACE ±</td> <td>0.38</td> <td>---</td> </tr> </tbody> </table>		mm	INCH	4 PLACES ±	---	---	3 PLACES ±	---	±.010	2 PLACES ±	0.25	±.015	1 PLACE ±	0.38	---	DIMENSION STYLE IN/MM	SCALE 4:1	DESIGN UNITS INCH	THIRD ANGLE PROJECTION
		mm	INCH																		
	4 PLACES ±	---	---																		
	3 PLACES ±	---	±.010																		
2 PLACES ±	0.25	±.015																			
1 PLACE ±	0.38	---																			
DRAWN BY GWC	DATE 1996/01/08	CHECKED BY RW	DATE 1996/01/08	TITLE .093/(2.36) HOUSING PLUG AND RECEPTACLE, 3 CKT .264/(6.71) CTRS.																	
APPROVED BY RAS	DATE 1996/01/08	MATERIAL NO. SEE CHART			DOCUMENT NO. SD-3191-3*	SHEET NO. 1 OF 3															
L2	REV	DRAFT WHERE APPLICABLE MUST REMAIN WITHIN DIMENSIONS	SIZE C	THIS DRAWING CONTAINS INFORMATION THAT IS PROPRIETARY TO MOLEX INCORPORATED AND SHOULD NOT BE USED WITHOUT WRITTEN PERMISSION																	



RECEPTACLE

REMOVE DIM. 28.75 EC NO: UCP2014-2106 DRW: AELHAG 2013/11/12 CHKD: JELL 2013/11/12 APPR: FSMITH 2013/11/13 L2	QUALITY SYMBOLS ▽=0 ▽=0	GENERAL TOLERANCES (UNLESS SPECIFIED)		DIMENSION STYLE IN/MM	SCALE 4:1	DESIGN UNITS INCH	THIRD ANGLE PROJECTION	
		4 PLACES ± --- ± ---	DRAWN BY GWC	DATE 1996/01/08	TITLE .093/(2.36) HOUSINGS, PLUG AND RECEPTACLE, 3 CKT .264/(6.71) CTRS.			
		3 PLACES ± --- ± .010	CHECKED BY RW	DATE 1996/01/08	MOLEX INCORPORATED			
		2 PLACES ± 0.25 ± .015	APPROVED BY RAS	DATE 1996/01/08	MATERIAL NO. SEE CHART			
1 PLACE ± 0.38 ± ---		ANGULAR ± 1/2°		DOCUMENT NO. SD-3191-3*		SHEET NO. 2 OF 3		
DRAFT WHERE APPLICABLE MUST REMAIN WITHIN DIMENSIONS				THIS DRAWING CONTAINS INFORMATION THAT IS PROPRIETARY TO MOLEX INCORPORATED AND SHOULD NOT BE USED WITHOUT WRITTEN PERMISSION				

PLUG	
PART NO.	ENG. NO.
I9-09-2038	3191-3P
I9-09-2039	3191-3PI
I9-09-2037	3191-3P-201
I9-09-2036	3191-3PI-201
I9-09-1038	3191-3PIRD OBSOLETE
I9-09-3032	3191-3PRD OBSOLETE
I9-09-3033	3191-3PBU

RECEPTACLE	
PART NO.	ENG. NO.
I9-09-1039	3191-3RI
I9-09-1036	3191-3RI-201
I9-09-3030	3191-3RIRD OBSOLETE
I9-09-5039	3191-3RI-2

LEGEND

3191-3****-*

CIRCUIT SIZE

P = PLUG
R = RECEPTACLE

EARS: BLANK = WITH PREBENT EARS (PLUG ONLY)
I = WITHOUT EARS

NOTES:

1. MATERIAL: SEE LEGEND
2. FINISH: NONE
3. PRODUCT SPECIFICATION: PS-02-08
4. PACKAGING SPECIFICATION: PK-3191-001
5. PARTS CONFORM TO CLASS B REQUIREMENTS OF COSMETIC SPECIFICATION PS-45499-002.

COLOR:

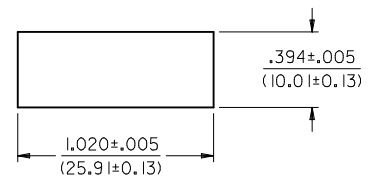
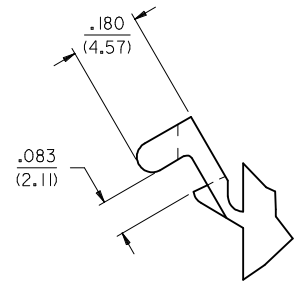
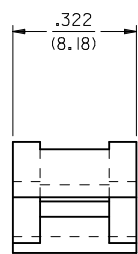
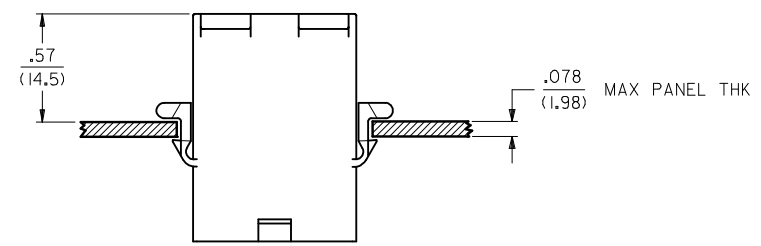
BLANK = NATURAL COLOR

AM=AMBER BK=BLACK BU=BLUE
BN=BROWN GY=GRAY GN=GREEN
OR=ORANGE RD=RED YW=YELLOW

COLORS AVAILABLE ONLY IN 94V-2 MATERIAL

MATERIAL:

BLANK=NYLON TYPE 6/6,94V-2
2 = NYLON TYPE PA66, 94V-0
201=NYLON TYPE 6/6, 94V-0



RECOMMENDED HOLE CUTOUT

DETAIL "A"

PREBENT MOUNTING EAR
(SCALE 4:1)

UPDATE REV. LEVEL EC NO: UCP2014-2106 DRWNAELHAG 2013/11/12 CHKD: APPR:FSMITH 2013/11/13 REV:	QUALITY SYMBOLS	GENERAL TOLERANCES (UNLESS SPECIFIED) <table border="1"> <tr><th></th><th>mm</th><th>INCH</th></tr> <tr><td>4 PLACES</td><td>± .010</td><td>± .0004</td></tr> <tr><td>3 PLACES</td><td>± .015</td><td>± .0006</td></tr> <tr><td>2 PLACES</td><td>± 0.25</td><td>± .010</td></tr> <tr><td>1 PLACE</td><td>± 0.38</td><td>± .015</td></tr> </table>		mm	INCH	4 PLACES	± .010	± .0004	3 PLACES	± .015	± .0006	2 PLACES	± 0.25	± .010	1 PLACE	± 0.38	± .015	DIMENSION STYLE	SCALE	DESIGN UNITS	THIRD ANGLE PROJECTION
			mm	INCH																	
	4 PLACES	± .010	± .0004																		
	3 PLACES	± .015	± .0006																		
2 PLACES	± 0.25	± .010																			
1 PLACE	± 0.38	± .015																			
	IN/MM	2:1	INCH																		
		ANGULAR ±1/2°	DRAWN BY	DATE	TITLE																
			GWC	1996/01/08	.093/(2.36) HOUSINGS, PLUG AND RECEPTACLE, 3 CKT .264/(6.71) CTRS.																
			CHECKED BY	DATE	MATERIAL NO.																
			RW	1996/01/08	SEE CHART																
			APPROVED BY	DATE	DOCUMENT NO.																
			RAS	1996/01/08	SD-3191-3*																
			MATERIAL NO.		SHEET NO.																
			SEE CHART		3 OF 3																
			THIS DRAWING CONTAINS INFORMATION THAT IS PROPRIETARY TO MOLEX INCORPORATED AND SHOULD NOT BE USED WITHOUT WRITTEN PERMISSION																		