



Chipsmall Limited consists of a professional team with an average of over 10 year of expertise in the distribution of electronic components. Based in Hongkong, we have already established firm and mutual-benefit business relationships with customers from,Europe,America and south Asia,supplying obsolete and hard-to-find components to meet their specific needs.

With the principle of “Quality Parts,Customers Priority,Honest Operation,and Considerate Service”,our business mainly focus on the distribution of electronic components. Line cards we deal with include Microchip,ALPS,ROHM,Xilinx,Pulse,ON,Everlight and Freescale. Main products comprise IC,Modules,Potentiometer,IC Socket,Relay,Connector.Our parts cover such applications as commercial,industrial, and automotives areas.

We are looking forward to setting up business relationship with you and hope to provide you with the best service and solution. Let us make a better world for our industry!



## Contact us

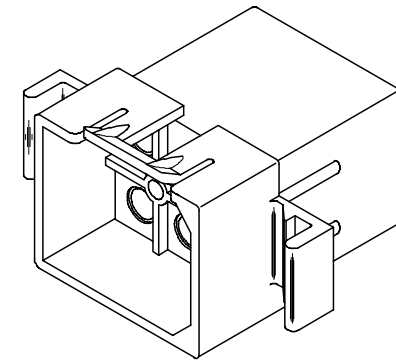
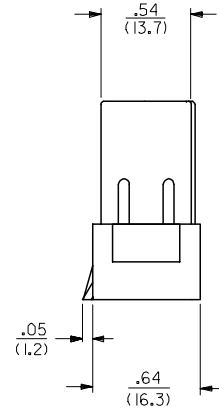
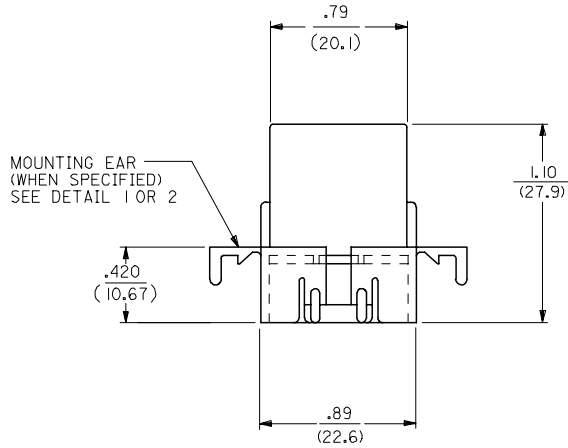
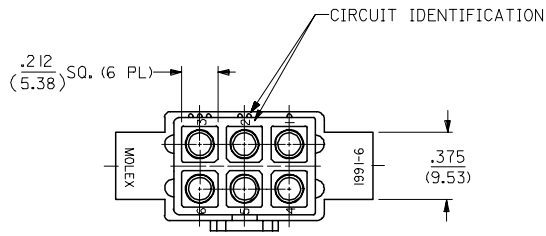
Tel: +86-755-8981 8866 Fax: +86-755-8427 6832

Email & Skype: info@chipsmall.com Web: www.chipsmall.com

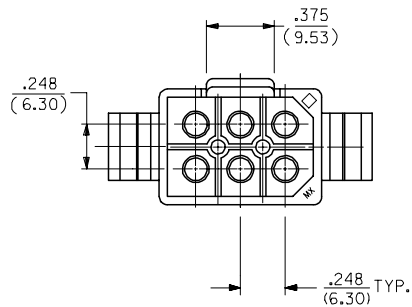
Address: A1208, Overseas Decoration Building, #122 Zhenhua RD., Futian, Shenzhen, China



**PLUG**

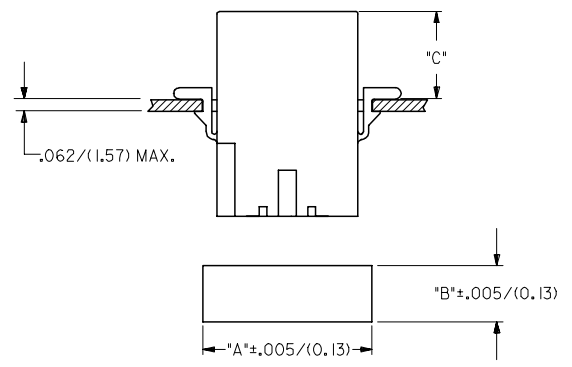


**PLUG HOUSING**



<b>UPDATE TITLE BLOCK</b> EC NO: UCP2007-1498 DRAWN: AELHAG 2007/04/04 CHKD: AELHAG 2007/04/04 APPR: FSM TH 2007/04/04 REV DESCRIPTION	QUALITY SYMBOLS ▽=0 ▽=0	GENERAL TOLERANCES (UNLESS SPECIFIED) <table border="1"> <thead> <tr> <th></th> <th>mm</th> <th>INCH</th> </tr> </thead> <tbody> <tr> <td>4 PLACES</td> <td>± .10</td> <td>± .004</td> </tr> <tr> <td>3 PLACES</td> <td>± .12</td> <td>± .005</td> </tr> <tr> <td>2 PLACES</td> <td>± 0.25</td> <td>± .010</td> </tr> <tr> <td>1 PLACE</td> <td>± 0.36</td> <td>± .014</td> </tr> </tbody> </table> ANGULAR ± 1 °		mm	INCH	4 PLACES	± .10	± .004	3 PLACES	± .12	± .005	2 PLACES	± 0.25	± .010	1 PLACE	± 0.36	± .014	DIMENSION STYLE IN/MM DRAWN BY DATE JJS 1988/02/25 CHECKED BY DATE RW 1988/02/25 APPROVED BY DATE RAS 1988/02/25 MATERIAL NO.	SCALE 2:1 DESIGN UNITS INCH THIRD ANGLE PROJECTION	TITLE .093/(2.36) HOUSINGS PLUG AND RECEPTACLE 6 CKT, .248/(6.30) CTRS. MOLEX INCORPORATED DOCUMENT NO. SD-1991-6* SHEET NO. 1 OF 3
		mm	INCH																	
	4 PLACES	± .10	± .004																	
	3 PLACES	± .12	± .005																	
2 PLACES	± 0.25	± .010																		
1 PLACE	± 0.36	± .014																		
DRAFT WHERE APPLICABLE MUST REMAIN WITHIN DIMENSIONS		SEE CHART	THIS DRAWING CONTAINS INFORMATION THAT IS PROPRIETARY TO MOLEX INCORPORATED AND SHOULD NOT BE USED WITHOUT WRITTEN PERMISSION																	
		SIZE C																		

PLUG			RECEPTACLE		
PART NO.	ENG. NO.	PKG. INFORMATION	PART NO.	ENG. NO.	PKG. INFORMATION
I9-09-2061	I991-6P	PK-1991-001	I9-09-1061	I991-6R	PK-1991-001
I9-09-2062	I991-6P1	PK-1991-001	I9-09-1062	I991-6R1	PK-1991-002
I9-09-7061	I991-6PBK	PK-1991-001	I9-09-6061	I991-6RBK	PK-1991-001
I9-09-7062	I991-6P1BK	PK-1991-001	I9-09-1068	I991-6R1-B	PK-1991-001



HOUSING	DIM. "A"	DIM. "B"	DIM."C" STD.EAR	DIM."C" PREBENT
PLUG	1.048/(26.62)	.658/(16.71)	.51/(12.9)	.52/(13.2)
RECEPTACLE	.946/(24.03)	.608/(15.44)	.53/(13.5)	.54/(13.7)

- NOTES:
- MATERIAL CODES:  
A - NYLON TYPE 6/6, UL 94V-2  
B - NYLON TYPE 6/6, UL 94V-0
  - FINISH: N/A
  - PRODUCT SPECIFICATION: PS-02-09
  - PACKAGING SPECIFICATION: SEE CHART
  - HOUSINGS FOR USE WITH MOLEX STD. .093/(2.36) TYPE TERMINALS.
  - PARTS CONFORM TO CLASS B REQUIREMENTS OF COSMETIC SPECIFICATION PS-45499-002.

**LEGEND:**

1991-6\*\*\*\*-\*

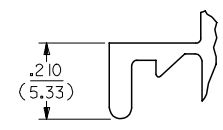
CIRCUIT SIZE

P = PLUG  
R = RECEPTACLE

BLANK = WITH STANDARD EARS  
1 = WITHOUT EARS  
2 = WITH PREBENT EARS, PER DETAIL 2

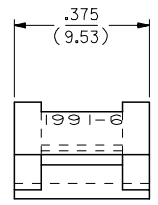
COLOR: BLANK=NATURAL COLOR  
AM=AMBER BK=BLACK BU=BLUE  
BN=BROWN CY=GRAY GN=GREEN  
OR=ORANGE RD=RED YW=YELLOW

BLANK = MATERIAL CODE A  
B = MATERIAL CODE B



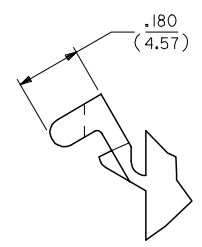
**DETAIL 1**

STANDARD MOUNTING EARS  
(SCALE 4:1)



**DETAIL 2**

PREBENT MOUNTING EAR  
(SCALE 4:1)



ADD NOTES 2,4&6 EC NO: UCP2007-1498 DRW:NAELHAG 2007/04/04 CHKD:AEHAG 2007/04/04 APPR:FSM TH 2007/04/04 REVISIONS DESCRIPTION	QUALITY SYMBOLS ▽=0 ▽=0	GENERAL TOLERANCES (UNLESS SPECIFIED) <table border="1"> <thead> <tr> <th></th> <th>mm</th> <th>INCH</th> </tr> </thead> <tbody> <tr> <td>4 PLACES</td> <td>± .10</td> <td>± .004</td> </tr> <tr> <td>3 PLACES</td> <td>± .15</td> <td>± .006</td> </tr> <tr> <td>2 PLACES</td> <td>± .25</td> <td>± .010</td> </tr> <tr> <td>1 PLACE</td> <td>± .36</td> <td>± .014</td> </tr> </tbody> </table> ANGULAR ± 1 °		mm	INCH	4 PLACES	± .10	± .004	3 PLACES	± .15	± .006	2 PLACES	± .25	± .010	1 PLACE	± .36	± .014	DIMENSION STYLE IN/MM DRAWN BY: JJS DATE: 1988/03/01 CHECKED BY: RW DATE: 1988/03/01 APPROVED BY: RAS DATE: 1988/03/01	SCALE 2:1 DESIGN UNITS INCH THIRD ANGLE PROJECTION	TITLE .093/(2.36) HOUSINGS, PLUG AND RECEPTACLE, 6 CKT, .248/(6.30) CTRS.
		mm	INCH																	
4 PLACES	± .10	± .004																		
3 PLACES	± .15	± .006																		
2 PLACES	± .25	± .010																		
1 PLACE	± .36	± .014																		
DRAFT WHERE APPLICABLE MUST REMAIN WITHIN DIMENSIONS	SEE CHART	MATERIAL NO. SD-1991-6*	DOCUMENT NO. MOLEX INCORPORATED	SHEET NO. 3 OF 3																