



Chipsmall Limited consists of a professional team with an average of over 10 year of expertise in the distribution of electronic components. Based in Hongkong, we have already established firm and mutual-benefit business relationships with customers from,Europe,America and south Asia,supplying obsolete and hard-to-find components to meet their specific needs.

With the principle of “Quality Parts,Customers Priority,Honest Operation,and Considerate Service”,our business mainly focus on the distribution of electronic components. Line cards we deal with include Microchip,ALPS,ROHM,Xilinx,Pulse,ON,Everlight and Freescale. Main products comprise IC,Modules,Potentiometer,IC Socket,Relay,Connector.Our parts cover such applications as commercial,industrial, and automotives areas.

We are looking forward to setting up business relationship with you and hope to provide you with the best service and solution. Let us make a better world for our industry!



Contact us

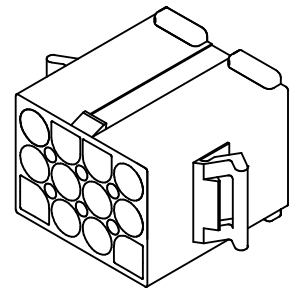
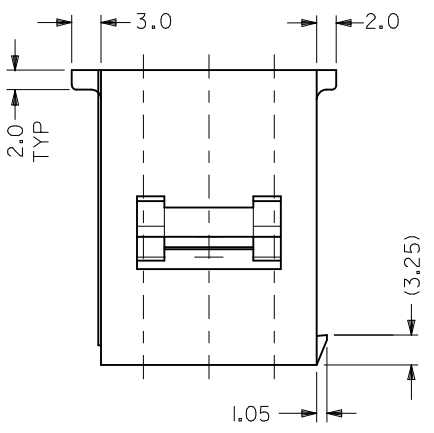
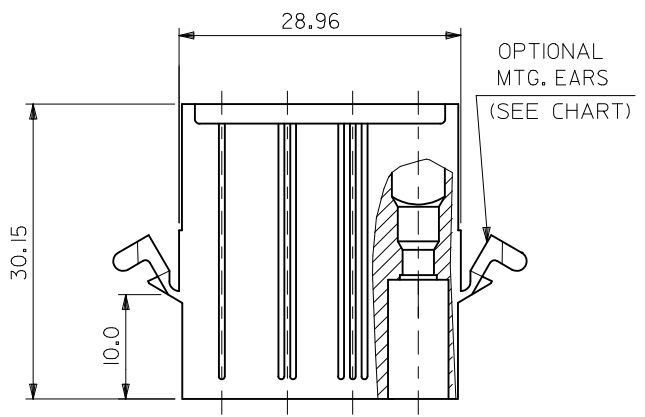
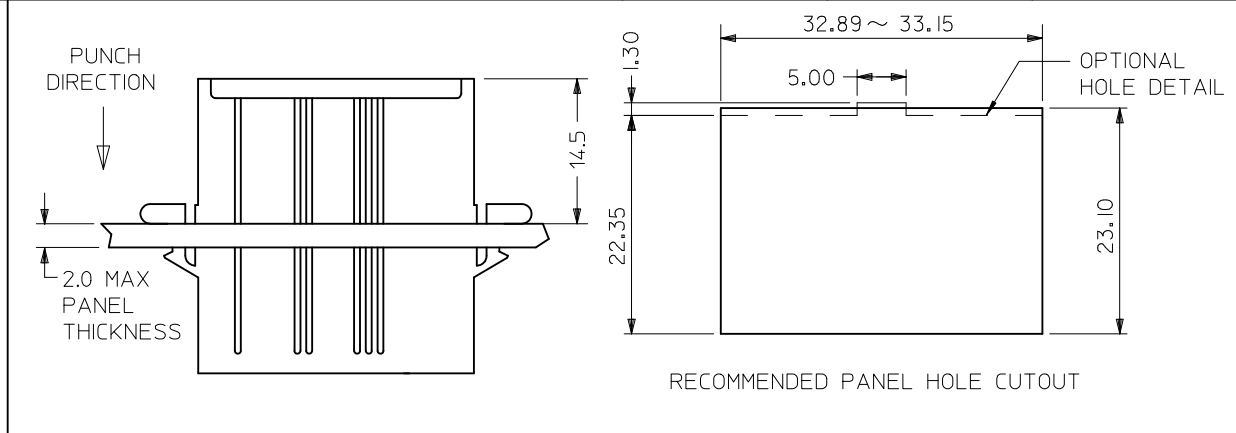
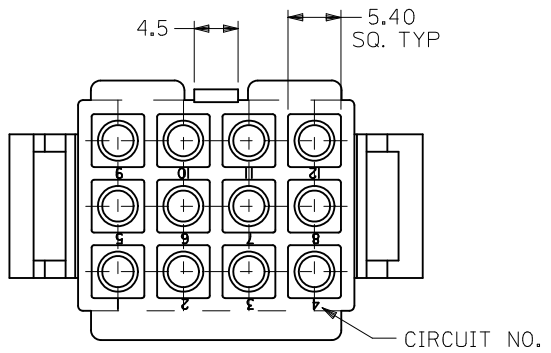
Tel: +86-755-8981 8866 Fax: +86-755-8427 6832

Email & Skype: info@chipsmall.com Web: www.chipsmall.com

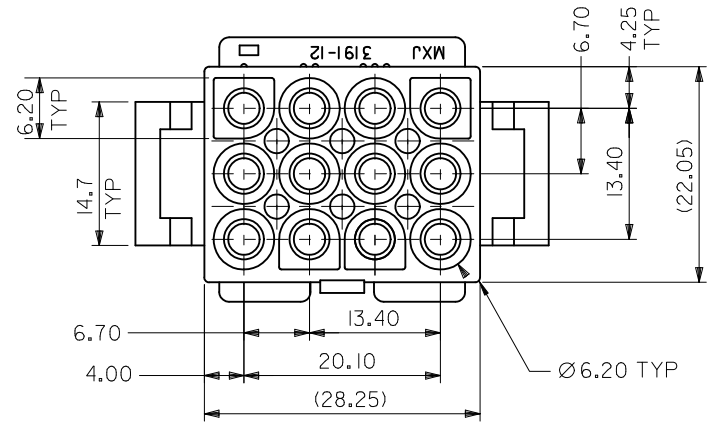
Address: A1208, Overseas Decoration Building, #122 Zhenhua RD., Futian, Shenzhen, China



10 9 8 7 6 5 4 3 2 1



- NOTES:
1. MATERIAL: SEE TABLE
 2. FINISH: NONE
 3. PRODUCT SPECIFICATION: PS-02-09
 4. PACKAGING SPECIFICATION: PK-3191-001
 5. PARTS CONFORM TO MOLEX COSMETIC SPECIFICATION PS-45499-002 CLASS B
 6. DIMENSIONS IN () ARE REFERENCE
 7. HOUSING FOR USE WITH 2.36/0.093 DIA. MALE TERMINALS.



19-09-2126	3191-12PI-201	NYLON66	94V-0	NATURAL	NO
19-09-2127	3191-12P-201	NYLON66	94V-0	NATURAL	YES
19-09-2128	3191-12P	NYLON66	94V-2	NATURAL	YES
19-09-2129	3191-12PI	NYLON66	94V-2	NATURAL	NO
EDP. NO.	ENG. NO.	MATERIAL	UL	COLOR	MTG. EARS

REDRAWN EC NO: UCP2011-1032 TDRWN: JBINGHAM 2010/10/12 CHKD: MKIPPER 2010/10/12 APPR: FSMITH 2010/11/09	QUALITY SYMBOLS ▽E/0 ▽E/0 ▽E/0	GENERAL TOLERANCES (UNLESS SPECIFIED)		DIMENSION STYLE MM ONLY		SCALE ---		DESIGN UNITS METRIC		THIRD ANGLE PROJECTION		
		4 PLACES ± --- ± --- 3 PLACES ± --- ± --- 2 PLACES ± 0.25 ± --- 1 PLACE ± 0.35 ± ---		DRAWN BY JBINGHAM		DATE 2010/10/12		TITLE 12-CIRCUIT PLUG HOUSING (0.093 DIA. TERMINAL) SALES DRAWING				
		ANGULAR ± --- °		CHECKED BY MKIPPER		DATE 2010/10/12		MOLEX MOLEX INCORPORATED				
		DRAFT WHERE APPLICABLE MUST REMAIN WITHIN DIMENSIONS		MATERIAL NO. SEE CHART		APPROVED BY FSMITH		DATE 2010/11/09		DOCUMENT NO. SD-3191-12P*-*-		SHEET NO. 1 OF 1

9 8 7 6 5 4 3 2 1