



Chipsmall Limited consists of a professional team with an average of over 10 year of expertise in the distribution of electronic components. Based in Hongkong, we have already established firm and mutual-benefit business relationships with customers from,Europe,America and south Asia,supplying obsolete and hard-to-find components to meet their specific needs.

With the principle of "Quality Parts,Customers Priority,Honest Operation,and Considerate Service",our business mainly focus on the distribution of electronic components. Line cards we deal with include Microchip,ALPS,ROHM,Xilinx,Pulse,ON,Everlight and Freescale. Main products comprise IC,Modules,Potentiometer,IC Socket,Relay,Connector.Our parts cover such applications as commercial,industrial, and automotives areas.

We are looking forward to setting up business relationship with you and hope to provide you with the best service and solution. Let us make a better world for our industry!



Contact us

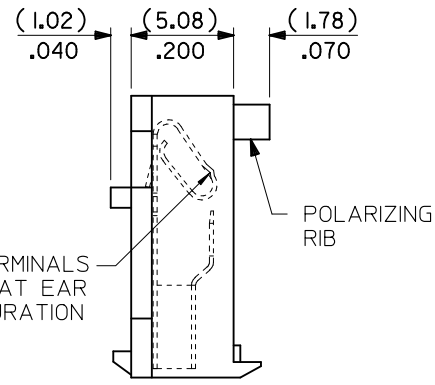
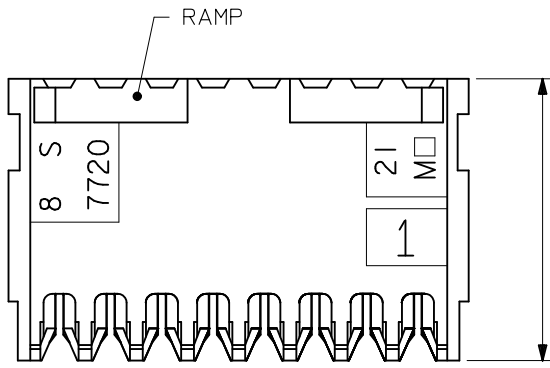
Tel: +86-755-8981 8866 Fax: +86-755-8427 6832

Email & Skype: info@chipsmall.com Web: www.chipsmall.com

Address: A1208, Overseas Decoration Building, #122 Zhenhua RD., Futian, Shenzhen, China



10 9 8 7 6 5 4 3 2 1

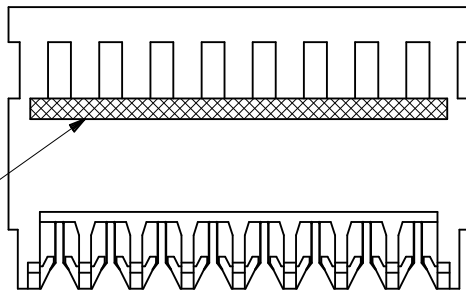
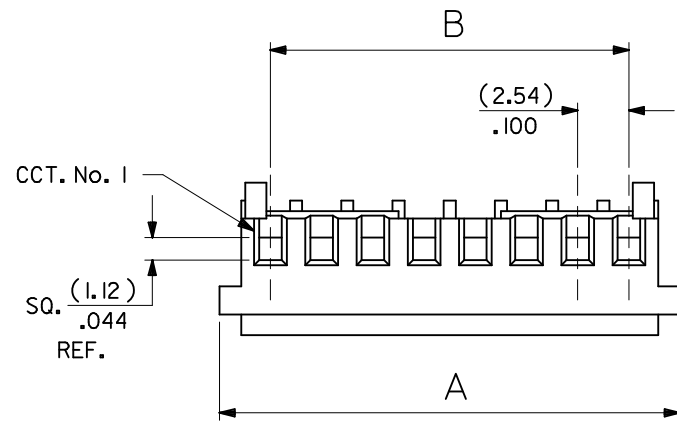


ALL TERMINALS HAVE CAT EAR CONFIGURATION

POLARIZING RIB

BASE No. A-7720S * N * *
 VOID LOC' n.
 TERMINAL DESIGNATION
 No. OF CCTS.
HOUSING CONFIGURATION

WITHOUT BACKWALL (FEED-THRU HOUSING) C. WITH RAMP AND POL. RIB



NOTES:

- MATERIAL: HOUSING: NYLON 6/6, UL94V-2, COLOR: NATURAL, TERMINALS: PHOS. BRONZE
- FINISH: SEE CHARTS
- PRODUCT SPECIFICATION: PS-99020-0088
- PACKAGING: PER PK-7720-100
- VOIDS ARE AVAILABLE WITH PIN WINDOWS MOLDED CLOSED.
- THIS ASSEMBLY IS FOR USE WITH (0.64)/.025 SQ. OR ROUND PINS, INSERTION DEPTH (6.10-7.87)/.240-.310
- THIS ASSEMBLY WILL ACCOMMODATE (1.42)/.056 MAX INSULATION DIA.
- COLOR STRIPE ON FULL LENGTH OF RIB DENOTES WIRE GAUGE (SEE CHART)

NO OF CCTS	DIM. A	DIM. B
2	(7.59) / .299	(2.54) / .100
3	(10.13) / .399	(5.08) / .200
4	(12.67) / .499	(7.62) / .300
5	(15.21) / .599	(10.16) / .400
6	(17.75) / .699	(12.70) / .500
7	(20.29) / .799	(15.24) / .600
8	(22.83) / .899	(17.78) / .700
9	(25.37) / .999	(20.32) / .800
10	(27.91) / 1.099	(22.86) / .900
11	(30.45) / 1.199	(25.40) / 1.000
12	(32.99) / 1.299	(27.94) / 1.100
13	(35.53) / 1.399	(30.48) / 1.200
14	(38.07) / 1.499	(33.02) / 1.300
15	(40.61) / 1.599	(35.56) / 1.400
16	(43.15) / 1.699	(38.10) / 1.500
17	(45.69) / 1.799	(40.64) / 1.600
18	(48.23) / 1.899	(43.18) / 1.700
19	(50.77) / 1.999	(45.72) / 1.800
20	(53.31) / 2.099	(48.26) / 1.900
21	(55.85) / 2.199	(50.80) / 2.000
22	(58.39) / 2.299	(53.34) / 2.100
23	(60.93) / 2.399	(55.88) / 2.200
24	(63.47) / 2.499	(58.42) / 2.300
25	(66.01) / 2.599	(60.96) / 2.400
26	(68.55) / 2.699	(63.50) / 2.500
27	(71.09) / 2.799	(66.04) / 2.600
28	(73.63) / 2.899	(68.58) / 2.700

TERMINAL DESIGNATION	COLOR STRIPE	FOR USE WITH WIRE SIZES:
H	GREEN	24 AWG SOLID, STRANDED TINNED, AND STRANDED TOPCOAT 26 AWG STRANDED TOPCOAT
J	BROWN	26 AWG SOLID AND STRANDED TINNED, 28 AWG SOLID, STRANDED TINNED, AND STRANDED TOPCOAT

CHANGE PLATING EC NO: UCP2011-1314 DRWN:WKIPPER 2010/11/16 CHKD:JBELL APPR:FSM/TH 2011/03/09 X	QUALITY SYMBOLS ▽=0 ◻=0	GENERAL TOLERANCES (UNLESS SPECIFIED) mm INCH 4 PLACES ± --- ± --- 3 PLACES ± --- ± .005 2 PLACES ± 0.13 ± .010 1 PLACE ± 0.25 ± --- ANGULAR ± 2 °		DIMENSION STYLE MM/IN	SCALE ---	DESIGN UNITS METRIC	THIRD ANGLE PROJECTION
		DRAWN BY: GCH DATE: 23/12/86 CHECKED BY: D.MORIARTY DATE: 23/12/86 APPROVED BY: J.DENNEHY DATE: 23/12/86 MATERIAL NO.		TITLE KK (2.54)/.100 INSULATION DISPLACEMENT CONNECTOR ASSEMBLY MOLEX INCORPORATED DOCUMENT NO. SDA-7720S-*N* SHEET NO. 1 OF 3			
DRAFT WHERE APPLICABLE MUST REMAIN WITHIN DIMENSIONS		SEE CHART		THIS DRAWING CONTAINS INFORMATION THAT IS PROPRIETARY TO MOLEX INCORPORATED AND SHOULD NOT BE USED WITHOUT WRITTEN PERMISSION			

9 8 7 6 5 4 3 2 1

PART NO.	ENG. NO.	CCTS.	TERMINAL	I.D. STRIPE	PLTG.
22-50-3025	A-7720S-C 2H	2	41512-H(154)	GREEN	(0.00254)/.000100 MIN. TIN OVER (0.00127)/.000050 MIN. NICKEL
↑ 3035	↑ C 3H	3	↑	↑	
3045	C 4H	4			
3055	C 5H	5			
3065	C 6H	6			
3075	C 7H	7			
3085	C 8H	8			
3095	C 9H	9			
3105	C10H	10			
3115	C11H	11			
3125	C12H	12			
3135	C13H	13			
3145	C14H	14			
3155	C15H	15			
3165	C16H	16			
3175	C17H	17			
3185	C18H	18			
3195	C19H	19			
3205	C20H	20			
3215	C21H	21			
3225	C22H	22			
3235	C23H	23			
3245	C24H	24			
3255	C25H	25			
3265	C26H	26			
↓ 3275	↓ C27H	27	↓	↓	
22-50-3285	A-7720S-C28H	28	41512-H(154)	GREEN	

NOTE:

1. 18 - 28 CIRCUITS ARE NON-STANDARD.

CHANGE PLATING EC NO: UCP2011-1314 DRWN:WK/PPER 2010/11/16 CHKD:JBELL APPR:FSM/TH 2011/03/09	QUALITY SYMBOLS	GENERAL TOLERANCES (UNLESS SPECIFIED)	DIMENSION STYLE	SCALE	DESIGN UNITS	THIRD ANGLE PROJECTION	
	▼=0 □=0	mm INCH	MM/IN	---	METRIC		
		4 PLACES ± --- ± ---	DRAWN BY DATE	TITLE			
		3 PLACES ± --- ± ---	CHECKED BY DATE	KK (2.54)/.100 INSULATION DISPLACEMENT CONNECTOR ASSEMBLY			
	2 PLACES ± --- ± ---	APPROVED BY DATE	MOLEX INCORPORATED DOCUMENT NO.				
	1 PLACE ± --- ± ---	ANGULAR ± ---°	SEE CHART SDA-7720S-*N* SHEET NO.				
		DRAFT WHERE APPLICABLE MUST REMAIN WITHIN DIMENSIONS	THIS DRAWING CONTAINS INFORMATION THAT IS PROPRIETARY TO MOLEX INCORPORATED AND SHOULD NOT BE USED WITHOUT WRITTEN PERMISSION				