



Chipsmall Limited consists of a professional team with an average of over 10 year of expertise in the distribution of electronic components. Based in Hongkong, we have already established firm and mutual-benefit business relationships with customers from,Europe,America and south Asia,supplying obsolete and hard-to-find components to meet their specific needs.

With the principle of “Quality Parts,Customers Priority,Honest Operation,and Considerate Service”,our business mainly focus on the distribution of electronic components. Line cards we deal with include Microchip,ALPS,ROHM,Xilinx,Pulse,ON,Everlight and Freescale. Main products comprise IC,Modules,Potentiometer,IC Socket,Relay,Connector.Our parts cover such applications as commercial,industrial, and automotives areas.

We are looking forward to setting up business relationship with you and hope to provide you with the best service and solution. Let us make a better world for our industry!



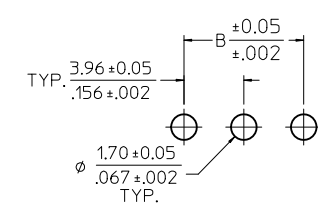
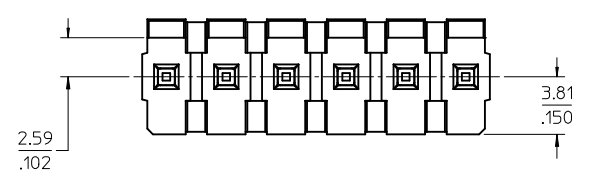
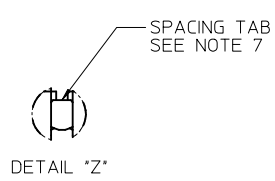
Contact us

Tel: +86-755-8981 8866 Fax: +86-755-8427 6832

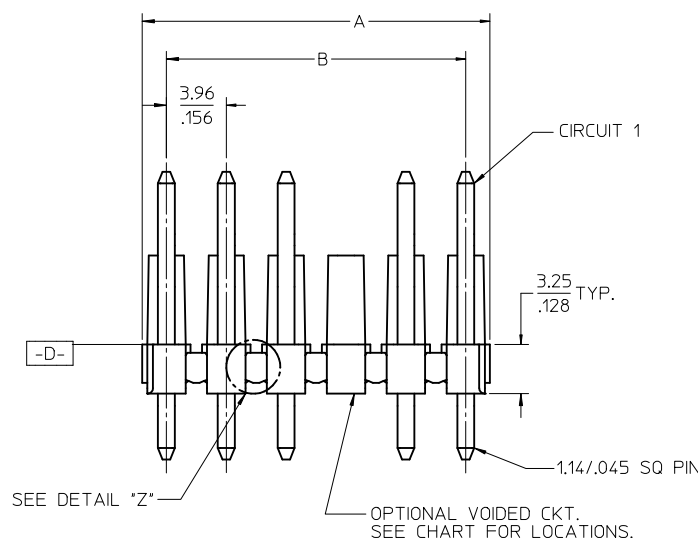
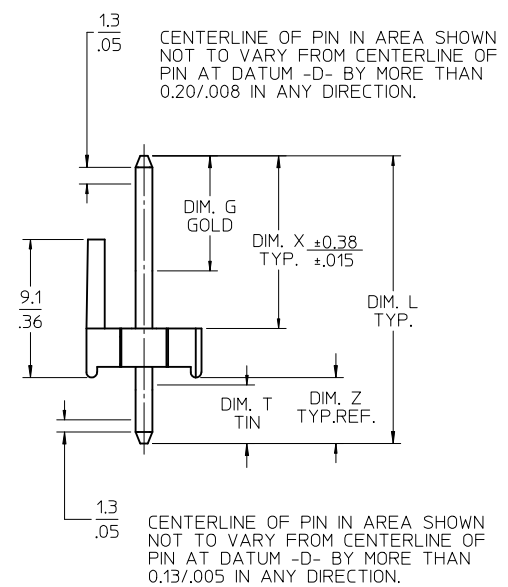
Email & Skype: info@chipsmall.com Web: www.chipsmall.com

Address: A1208, Overseas Decoration Building, #122 Zhenhua RD., Futian, Shenzhen, China



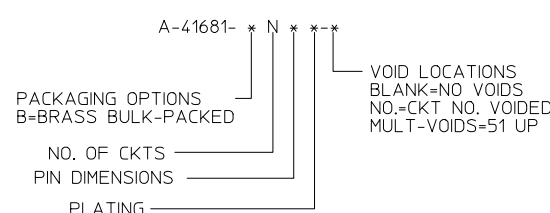


PCB LAYOUT: COMPONENT SIDE
RECOMMENDED PCB THICKNESS:
1.57±0.18/.062±.007



| CIRCUIT | A | B |
|---------|----------------------------|----------------|
| 2 | 6.78/7.87 .267/.310 | 3.96 .156 |
| 3 | 10.74/11.84 .423/.466 | 7.92 .312 |
| 4 | 14.71/15.80 .579/.622 | 11.89 .468 |
| 5 | 18.67/19.76 .735/.778 | 15.85 .624 |
| 6 | 22.63/23.72 .891/.934 | 19.81 .780 |
| 7 | 26.59/27.69 1.047/1.090 | 23.77 .936 |
| 8 | 30.56/31.65 1.203/1.246 | 27.74 1.092 |
| 9 | 34.52/35.61 1.359/1.402 | 31.70 1.248 |
| 10 | 38.48/39.57 1.515/1.558 | 35.66 1.404 |
| 11 | 42.44/43.54 1.671/1.714 | 39.62 1.560 |
| 12 | 46.41/47.50 1.827/1.870 | 43.59 1.716 |
| 13 | 50.37/51.46 1.983/2.026 | 47.55 1.872 |
| 14 | 54.33/55.42 2.139/2.182 | 51.51 2.028 |
| 15 | 58.29/59.39 2.295/2.338 | 55.47 2.184 |
| 16 | 62.26/63.35 2.451/2.494 | 59.44 2.340 |
| 17 | 66.22/67.31 2.607/2.650 | 63.40 2.496 |
| 18 | 70.18/71.27 2.763/2.806 | 67.36 2.652 |
| 19 | 74.14/75.23 2.919/2.962 | 71.32 2.808 |
| 20 | 78.11/79.20 3.075/3.118 | 75.29 2.964 |
| 21 | 82.07/83.16 3.231/3.274 | 79.25 3.120 |
| 22 | 86.03/87.12 3.387/3.430 | 83.21 3.276 |
| 23 | 89.94/91.08 3.541/3.586 | 87.17 3.432 |
| 24 | 93.85/95.00 3.695/3.740 | 91.14 3.588 |

- NOTES:
- MATERIAL: HEADER: GLASS FILLED POLYESTER, 94V-0, MOLDED BLACK PINS- BRASS
 - FINISH:
 - (197) = OVERALL REFLOWED MATTE TIN: (0.00152)/.000060 MIN. OVER (0.00127)/.000050 MIN.
 - (208) = SELECT GOLD: (0.00038)/.000015 MIN. OVER SELECT TIN: (0.00254)/.000100 MIN. OVER NICKEL OVERALL: (0.000127)/.000050 MIN.
 - (228) = SELECT GOLD: (0.00076)/.000030 MIN. SELECT TIN: (0.00254)/.000100 MIN. OVER NICKEL OVERALL: (0.00127)/.000050 MIN.
 - (241) = SELECT GOLD: 0.00051/.000020 MIN. SELECT TIN: 0.00254/.000100 MIN. OVERALL NICKEL UNDERPLATE: 0.00127/.000050 MIN.
 - PRODUCT SPECIFICATION: PS-08-50.
 - PACKAGING: SEE CHART
 - SOLDERABILITY: PER SMES-152.
 - PIN PUSH-OUT FORCE: PRIOR TO SOLDERING, A 3 LB. MINIMUM FORCE IN EITHER DIRECTION SHALL BE REQUIRED TO PUSH THE PIN OUT OF THE HEADER.
 - PARTS ARE STACKABLE END TO END ON 3.96/.156 CENTERS. (SPACING TABS MUST BE REMOVED ON CIRCUIT SIZES 1-23 BEFORE PARTS ARE STACKABLE.)



| | | | | | | | | |
|---|--------------------------------------|--|---|---|---|---|------------------------|---------------------------|
| ADD FINISH 197 EC NO: UCP2012-0114 DRW:WSTROH 2011/07/26 CHKD:MKIPPER 2011/07/21 APPR:FSMITH 2011/10/28 | QUALITY SYMBOLS ▽=0 ▽=0 ▽=0 | GENERAL TOLERANCES (UNLESS SPECIFIED) mm INCH | | DIMENSION STYLE MM/IN | SCALE 4:1 | DESIGN UNITS INCH | THIRD ANGLE PROJECTION | |
| | | 4 PLACES ± --- ± --- 3 PLACES ± --- ± .006 2 PLACES ± 0.15 ± .010 1 PLACE ± 0.25 ± --- ANGULAR ±1/2° | DRAWN BY SAMIEC DATE 08/09/85 | CHECKED BY PATEL DATE 08/09/85 | APPROVED BY LENZ DATE 08/09/85 | TITLE KK .156 HEADER ASSEMBLY POLARIZING STRAIGHT 2-24 CKTS. | | MATERIAL NO. SEE CHART |
| DRAFT WHERE APPLICABLE MUST REMAIN WITHIN DIMENSIONS | | SIZE C | THIS DRAWING CONTAINS INFORMATION THAT IS PROPRIETARY TO MOLEX INCORPORATED AND SHOULD NOT BE USED WITHOUT WRITTEN PERMISSION | | | | | SHEET NO. 1 OF * |