



Chipsmall Limited consists of a professional team with an average of over 10 year of expertise in the distribution of electronic components. Based in Hongkong, we have already established firm and mutual-benefit business relationships with customers from,Europe,America and south Asia,supplying obsolete and hard-to-find components to meet their specific needs.

With the principle of “Quality Parts,Customers Priority,Honest Operation,and Considerate Service”,our business mainly focus on the distribution of electronic components. Line cards we deal with include Microchip,ALPS,ROHM,Xilinx,Pulse,ON,Everlight and Freescale. Main products comprise IC,Modules,Potentiometer,IC Socket,Relay,Connector.Our parts cover such applications as commercial,industrial, and automotives areas.

We are looking forward to setting up business relationship with you and hope to provide you with the best service and solution. Let us make a better world for our industry!



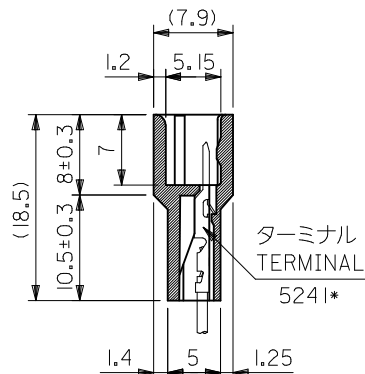
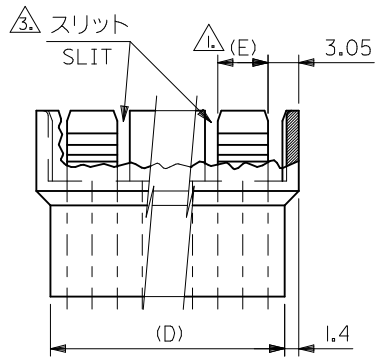
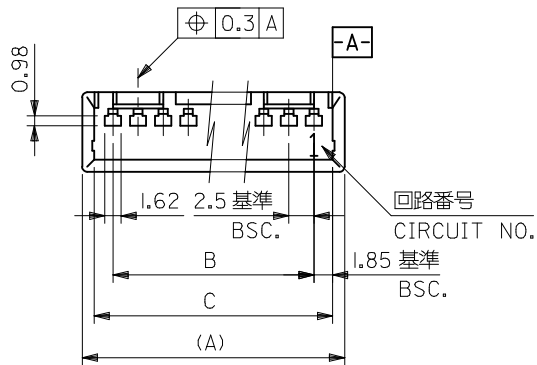
Contact us

Tel: +86-755-8981 8866 Fax: +86-755-8427 6832

Email & Skype: info@chipsmall.com Web: www.chipsmall.com

Address: A1208, Overseas Decoration Building, #122 Zhenhua RD., Futian, Shenzhen, China





ナイロン66, 94V-0
 NYLON66, 94V-0
 色: オフホワイト
 COLOR: OFF WHITE

注)
 NOTE.

△ フリクションロック構成:
 FRICTION LOCK CONFIGURATION:
 4極までは1箇所
 4CKT AND UNDER - 1LOCK
 5極以上は2箇所
 5CKT AND OVER - 2LOCKS

2. 嵌合相手: 5102-N
 MATES WITH HOUSING: 5102-N

△ スリット構成:
 SLIT CONFIGURATION:
 4極以下はなし
 4CKT AND UNDER - NO SLIT
 5及び6極は1箇所
 5 AND 6CKTS - 1 SLIT
 7極以上は2箇所
 7CKT AND OVER - 2 SLITS

29-11-0153	5240-151	35	38.7	41.1	5	38.3	15
↑ -0143	↑ -141	32.5	36.2	38.6	5	35.8	14
-0133	-131	30	33.7	36.1	5	33.3	13
-0123	-121	27.5	31.2	33.6	5	30.8	12
-0103	-101	22.5	26.2	28.6	5	25.8	10
-0093	-091	20	23.7	26.1	5	23.3	9
-0083	-081	17.5	21.2	23.6	5	20.8	8
-0073	-071	15	18.7	21.1	5	18.3	7
-0063	-061	12.5	16.2	18.6	5	15.8	6
-0053	-051	10	13.7	16.1	3.75	13.3	5
-0043	-041	7.5	11.2	13.6	7.5	10.8	4
↓ -0033	↓ -031	5	8.7	11.1	5	8.3	3
29-11-0023	5240-021	2.5	6.2	8.6	2.5	5.8	2
EDP.NO.	ENG.NO.	B	C	(A)	(E)	(D)	極数 CKT.

REVISED EC NO: J2016-0727 DRWN: SNAKAMURA08 2016/01/20 CHKD: KASAKAWA 2016/02/12 APPR: IKANEKO 2016/02/26	GENERAL TOLERANCES (UNLESS SPECIFIED)			DIMENSION STYLE MM ONLY		SCALE 2:1	DESIGN UNITS METRIC	THIRD ANGLE PROJECTION
	0.25 UNDER	UNDER	±0.2	DRAWN BY KKOHAYA	DATE 2000/01/28	TITLE MINI. SPOX PLUG HSG		
	0.25 OVER	0.5 UNDER	±0.2	CHECKED BY TYAMAGUCHI	DATE 2000/03/30			
	0.5 OVER	1.0 UNDER	±0.2	APPROVED BY	DATE			
	1.0 OVER	10 UNDER	±0.2	MATERIAL NO. SEE CHART		DOCUMENT NO. SD-5240-N1	SHEET NO. 1 OF 1	
10 OVER	30 UNDER	±0.25	DRAFT WHERE APPLICABLE MUST REMAIN WITHIN DIMENSIONS		THIS DRAWING CONTAINS INFORMATION THAT IS PROPRIETARY TO MOLEX ELECTRONIC TECHNOLOGIES, LLC AND SHOULD NOT BE USED WITHOUT WRITTEN PERMISSION			