



Chipsmall Limited consists of a professional team with an average of over 10 year of expertise in the distribution of electronic components. Based in Hongkong, we have already established firm and mutual-benefit business relationships with customers from,Europe,America and south Asia,supplying obsolete and hard-to-find components to meet their specific needs.

With the principle of “Quality Parts,Customers Priority,Honest Operation,and Considerate Service”,our business mainly focus on the distribution of electronic components. Line cards we deal with include Microchip,ALPS,ROHM,Xilinx,Pulse,ON,Everlight and Freescale. Main products comprise IC,Modules,Potentiometer,IC Socket,Relay,Connector.Our parts cover such applications as commercial,industrial, and automotives areas.

We are looking forward to setting up business relationship with you and hope to provide you with the best service and solution. Let us make a better world for our industry!



Contact us

Tel: +86-755-8981 8866 Fax: +86-755-8427 6832

Email & Skype: info@chipsmall.com Web: www.chipsmall.com

Address: A1208, Overseas Decoration Building, #122 Zhenhua RD., Futian, Shenzhen, China



Voltage selector switch, 6 stages, serie-parallel, panel mounting



Description

- Voltage Selector , 6 stages
- Series-parallel connections
- Solder terminals

Standards

- IEC 61058-2-5
- UL 508
- CSA C22.2 no. 55

References

Alternative: version for PCB mounting [SWZ2 \(Print\)](#)

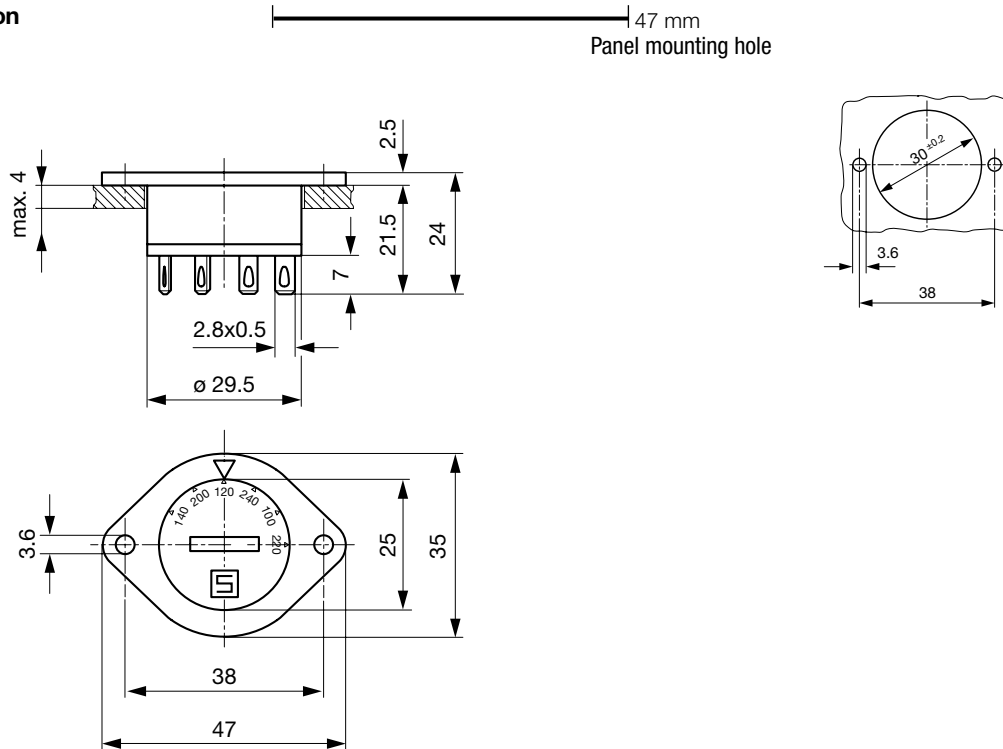
Technical Data

Ratings	IEC: 6.3 A / 250 VAC; 50 Hz UL: 10 A / 250 VAC; 60 Hz CSA: 6.3 A / 250 VAC; 60 Hz
Mounting	Panel Mount from front side
Fastening	Screw-on mounting
Terminal	Solder
Number of Stages	6
Lifetime	300 operating cycles (without load)
Degree of Protection	IP 40
Protection Class	Suitable for appliances with protection class II acc. to IEC 61140
Allowable Operation Temperature	-40°C to 85°C
Climatic Category	25/85/21 acc. to IEC 60068-1
Material: Socket	Thermoplastic, black, UL 94V-0
Weight	12.4 g

Solderability	350 °C / 2 sec acc. to IEC 60068-2-20, Test Ta, method 2
Resistance to Soldering Heat	350 °C / 10 sec acc. to IEC 60068-2-20, Test Tb, method 2
Insulation Resistance	> 10'000MΩ (500VDC; 1min)
Contact Resistance	< 10 mΩ at 20 mV
Dielectric Strength	> 2kVAC between L-N > 4kVAC between L/N-PE (1min; 50Hz)
Clearance and Creepage Distance	> 3mm > 8mm between L/N-PE
Resistance to Vibration	acc. to IEC 60068-2-6, test Fc
Panel Thickness s	max 4 mm

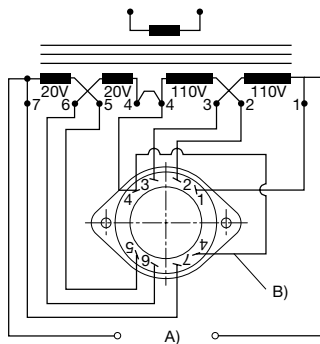
Detailed information on product approvals, code requirements, usage instructions and detailed test conditions can be looked up in [General Product Information](#)

Dimension



Diagrams

Reverse view



- A) Power mains
- B) External connection

All Variants

Letterings						Order Number
Stage 1	Stage 2	Stage 3	Stage 4	Stage 5	Stage 6	
150	220	130	260	110	240	0033.3501
	220	120	240	110		0033.3502
	115	230				0033.3503
130	220	120	240	110	230	0033.3504
140	200	120	240	100	220	0033.3505
127	200	115	240	100	220	0033.3510
						0033.3514
	220	130		110	240	0033.3518
		110	220			0033.3522
0	220	120	0	100	230/240	0033.3527
100	240		220	120		0033.3530
130	200	115	230	100	215	0033.3539

Stage 1	Stage 2	Letterings				Order Number
		Stage 3	Stage 4	Stage 5	Stage 6	
	200	120	240	100		0033.3547
100	0	117	220	100	240	0033.3549
140	200	120	240	100	230	0033.3553
		120	240	100	220	0033.3555
140	200	120	230/240	100	220/230	0033.3558
127	220	115	240	110	230	0033.3560

Most Popular.

Availability for all products can be searched real-time:<http://www.schurter.com/en/Stock-Check/Stock-Check-SCHURTER>

Packaging Unit 25 Pcs