



Chipsmall Limited consists of a professional team with an average of over 10 year of expertise in the distribution of electronic components. Based in Hongkong, we have already established firm and mutual-benefit business relationships with customers from,Europe,America and south Asia,supplying obsolete and hard-to-find components to meet their specific needs.

With the principle of “Quality Parts,Customers Priority,Honest Operation,and Considerate Service”,our business mainly focus on the distribution of electronic components. Line cards we deal with include Microchip,ALPS,ROHM,Xilinx,Pulse,ON,Everlight and Freescale. Main products comprise IC,Modules,Potentiometer,IC Socket,Relay,Connector.Our parts cover such applications as commercial,industrial, and automotives areas.

We are looking forward to setting up business relationship with you and hope to provide you with the best service and solution. Let us make a better world for our industry!



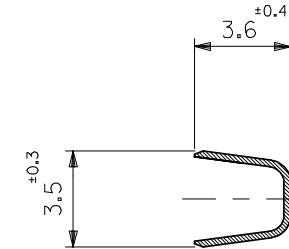
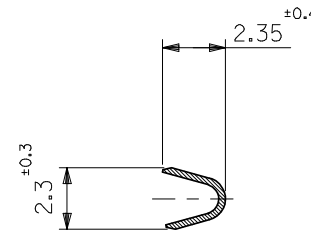
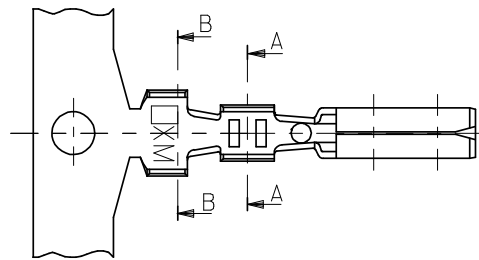
Contact us

Tel: +86-755-8981 8866 Fax: +86-755-8427 6832

Email & Skype: info@chipsmall.com Web: www.chipsmall.com

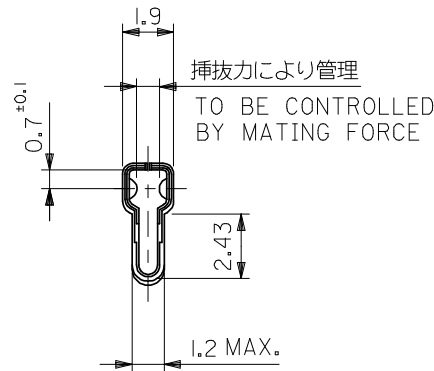
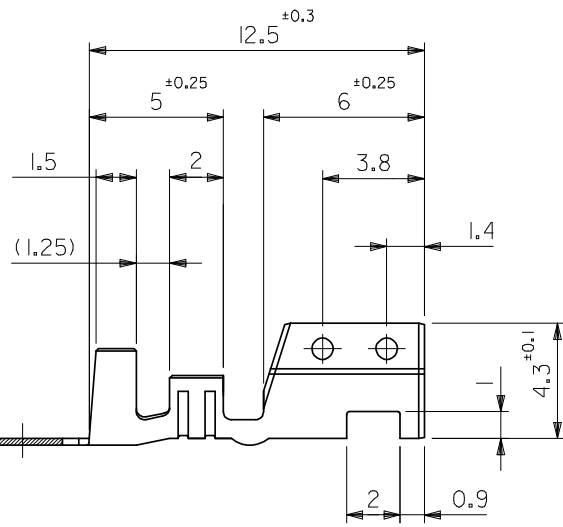
Address: A1208, Overseas Decoration Building, #122 Zhenhua RD., Futian, Shenzhen, China





断面 A-A
SECT.A-A

断面 B-B
SECT.B-B



注記
NOTES

1. 適合ハウジング : 5195-N* , 5196-N*
 APPLICABLE HOUSING 5197-N* , 5198-N*
 5199-N*

材料	表面処理	EDP NO.	ENG. NO.	端子形状
錫メッキ済リン青銅	Sn : 0.9 μ MIN	39-00-0022	5194PBT	バラ状 LOOSE
PRE-TINNED PHOSPHOR BRONZE		39-00-0021	5194PBT	連鎖状 CHAIN
錫メッキ済黄銅	Sn : 0.9 μ MIN, Cu : 0.5 μ MIN	08-70-1030	5194TL	バラ状 LOOSE
PRE-TINNED BRASS		08-70-1031	5194T	連鎖状 CHAIN
MATERIAL	FINISH	EDP NO.	ENG. NO.	端子形状 FORM

材料	表参照 SEE TABLE
MATERIAL	板厚: 0.254 (t=0.254)
仕上げ	表参照 SEE TABLE
FINISH	
適用電線範囲	AWG #18-#24
WIRE RANGE	
被覆外径	ϕ 1.3 - ϕ 3.2
INS. RANGE	

REVISED EC NO: J2008-3351 DRWN:WABEI 2008/03/24 CHKD:THARUYAMA 2008/03/24 APPR:NUKITA 2008/03/24	GENERAL TOLERANCES (UNLESS SPECIFIED)	10 UNDER ± 0.2	10 OVER 30 UNDER ± 0.25	30 OVER ± 0.3	ANGULAR $\pm 3^\circ$	DRAFT WHERE APPLICABLE MUST REMAIN WITHIN DIMENSIONS
	DESCRIPTION					
	REV					
	J					

DIMENSION STYLE	SCALE	DESIGN UNITS	THIRD ANGLE PROJECTION
MM ONLY	5:1	METRIC	
DRAWN BY	DATE	TITLE	
K.HASHIMOTO	'96/05/21	SPOX CRIMP RECEPTACLE	
CHECKED BY	DATE		
S.KUNISHI	'98/07/07		
APPROVED BY	DATE		
M.FUKUSHIMA	'98/07/07		
MATERIAL NO.	DOCUMENT NO.	SHEET NO.	
SEE TABLE	SD-5194-001	1 OF 1	
SIZE	THIS DRAWING CONTAINS INFORMATION THAT IS PROPRIETARY TO MOLEX INCORPORATED AND SHOULD NOT BE USED WITHOUT WRITTEN PERMISSION		
A3			