



Chipsmall Limited consists of a professional team with an average of over 10 year of expertise in the distribution of electronic components. Based in Hongkong, we have already established firm and mutual-benefit business relationships with customers from,Europe,America and south Asia,supplying obsolete and hard-to-find components to meet their specific needs.

With the principle of “Quality Parts,Customers Priority,Honest Operation,and Considerate Service”,our business mainly focus on the distribution of electronic components. Line cards we deal with include Microchip,ALPS,ROHM,Xilinx,Pulse,ON,Everlight and Freescale. Main products comprise IC,Modules,Potentiometer,IC Socket,Relay,Connector.Our parts cover such applications as commercial,industrial, and automotives areas.

We are looking forward to setting up business relationship with you and hope to provide you with the best service and solution. Let us make a better world for our industry!



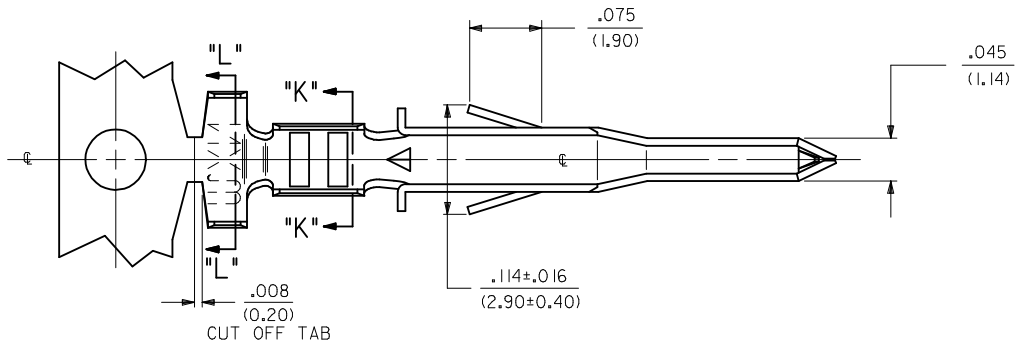
Contact us

Tel: +86-755-8981 8866 Fax: +86-755-8427 6832

Email & Skype: info@chipsmall.com Web: www.chipsmall.com

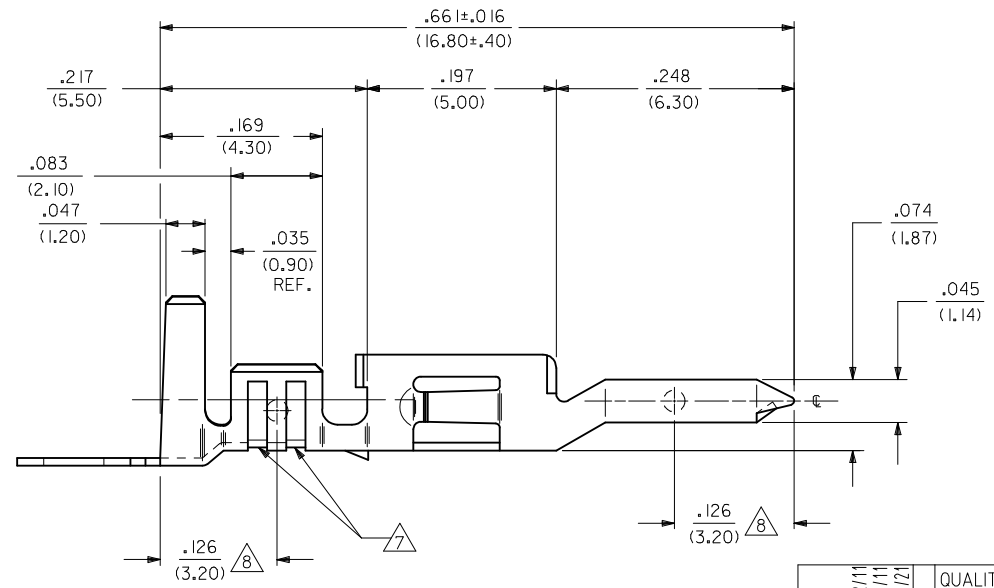
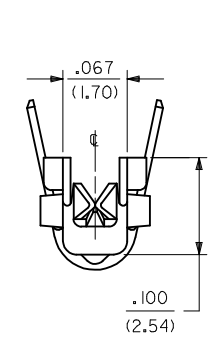
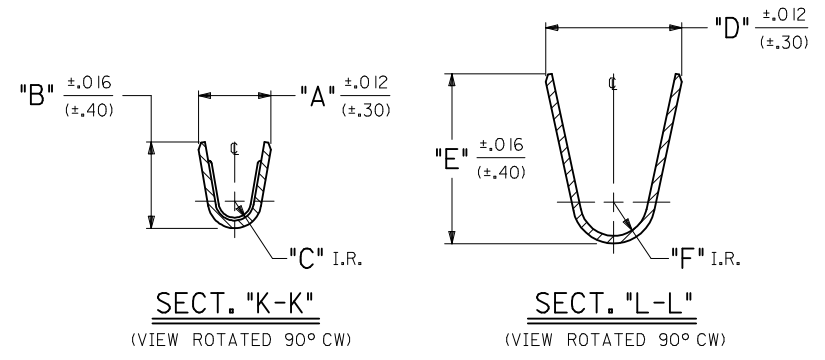
Address: A1208, Overseas Decoration Building, #122 Zhenhua RD., Futian, Shenzhen, China





- NOTES:
- MATERIAL:
 - BRASS.
 - PHOS. BRONZE.
 - PLATING:

.000100/(.00254) MIN. TIN OVER .000050/(.00127) MIN. NICKEL (POST-PLATE).
 - PRODUCT SPECIFICATION: PS-5556-001, PS-5556-002, PS-5556-003
 - PACKAGING SPECIFICATION: PK-5558-001 FOR REELS
PK-5556-003 FOR LOOSE
 - MATES WITH TERMINAL: 5556 SERIES
 - TERMINAL IS FOR USE WITH MOLEX PLUG HOUSINGS 5559, 30068, AND 42475.
 - THE NUMBER OF SERRATIONS TO BE ONE FOR WIRE RANGE 22-28.
 - MEASURING POINT FOR PLATING THICKNESS.
 - WHEN TERMINALS ARE INSTALLED IN THE HOUSING THE WIRES ARE TO BE DRESSED IN SUCH A MANNER TO ALLOW THE TERMINALS TO FLOAT FREELY IN THE POCKET.
 - THIS TERMINAL IS DESIGNED FOR SINGLE WIRE CRIMPING.
 - PART CONFORMS TO CLASS 'B' REQUIREMENTS OF COSMETIC SPECIFICATION PS-45499-002.



UPDATE NOTES EC NO: UCP2014-3293 DRWINGUYEN 2014/02/11 CHKD:JBELL 2014/02/11 APPR:FSMITH 2014/03/21	QUALITY SYMBOLS 	GENERAL TOLERANCES (UNLESS SPECIFIED)		DIMENSION STYLE IN/MM		SCALE	DESIGN UNITS INCH	THIRD ANGLE PROJECTION			
		4 PLACES ± --- ± ---	3 PLACES ± --- ± .010	2 PLACES ± .25 ± .015	1 PLACE ± .38 ± ---	0 PLACE ± --- ± ---	DRAWN BY NGUYEN	DATE 2014/02/11	TITLE MALE CRIMP TERMINAL WITH TIN-OVER-NICKEL PLATING. (MINI-FIT JR. SERIES)		
		ANGULAR ±1/2°					CHECKED BY GEP	DATE 1992/05/12	APPROVED BY FSMITH		
		DRAFT WHERE APPLICABLE MUST REMAIN WITHIN DIMENSIONS					DATE 2014/03/21	MATERIAL NO. SEE SHEET 2			DOCUMENT NO. SD-5558-*S*

THIS DRAWING CONTAINS INFORMATION THAT IS PROPRIETARY TO MOLEX. INCORPORATED AND SHOULD NOT BE USED WITHOUT WRITTEN PERMISSION

PART NO.	ENG. NO.	FORM	MAT'L.	WIRE GAGE	RANGE OF INSULATION DIA.	QUANTITY PER REEL (FORMED)	DIM. "A"	DIM. "B"	DIM. "C"	DIM. "D"	DIM. "E"	DIM. "F"				
39-00-0120	5558-S	CHAIN	A	18-24 GA.	.051-.122 (1.30-3.10)	4,000	.075 (1.90)	.091 (2.30)	.020 (.50)	.142 (3.60)	.177 (4.50)	.035 (.90)				
39-00-0121	5558-SL	LOOSE		A	22-28 GA.	.035-.071 (.90-1.80)	6,000	.071 (1.80)	.065 (1.65)	.016 (.40)	.091 (2.30)	.091 (2.30)	.024 (.60)			
39-00-0122	5558-S2	CHAIN			A	16 GA.	.122 (3.10) MAX.	4,000	.091 (2.30)	.106 (2.70)	.024 (.60)	.142 (3.60)	.177 (4.50)	.035 (.90)		
39-00-0123	5558-S2L	LOOSE				B	18-24 GA.	.051-.122 (1.30-3.10)	4,000	.075 (1.90)	.091 (2.30)	.020 (.50)	.142 (3.60)	.177 (4.50)	.035 (.90)	
39-00-0124	5558-S3	CHAIN					B	22-28 GA.	.035-.071 (.90-1.80)	6,000	.071 (1.80)	.065 (1.65)	.016 (.40)	.091 (2.30)	.091 (2.30)	.024 (.60)
39-00-0125	5558-S3L	LOOSE						B	16 GA.	.122 (3.10) MAX.	4,000	.091 (2.30)	.106 (2.70)	.024 (.60)	.142 (3.60)	.177 (4.50)
39-00-0126	5558-PBS	CHAIN	B						18-24 GA.	.051-.122 (1.30-3.10)	4,000	.075 (1.90)	.091 (2.30)	.020 (.50)	.142 (3.60)	.177 (4.50)
39-00-0127	5558-PBSL	LOOSE		B					22-28 GA.	.035-.071 (.90-1.80)	6,000	.071 (1.80)	.065 (1.65)	.016 (.40)	.091 (2.30)	.091 (2.30)
39-00-0128	5558-PBS2	CHAIN			B				16 GA.	.122 (3.10) MAX.	4,000	.091 (2.30)	.106 (2.70)	.024 (.60)	.142 (3.60)	.177 (4.50)
39-00-0129	5558-PBS2L	LOOSE				B			18-24 GA.	.051-.122 (1.30-3.10)	4,000	.075 (1.90)	.091 (2.30)	.020 (.50)	.142 (3.60)	.177 (4.50)
39-00-0130	5558-PBS3	CHAIN					B		22-28 GA.	.035-.071 (.90-1.80)	6,000	.071 (1.80)	.065 (1.65)	.016 (.40)	.091 (2.30)	.091 (2.30)
39-00-0131	5558-PBS3L	LOOSE						B	16 GA.	.122 (3.10) MAX.	4,000	.091 (2.30)	.106 (2.70)	.024 (.60)	.142 (3.60)	.177 (4.50)

LEGEND:

5558-***S**

BASE NO. _____
MATERIAL _____
 BLANK= BRASS
 PB= PHOS. BRONZE
 S= TIN OVER NICKEL
CRIMP SIZE _____
 BLANK = 18-24 AWG
 2 = 22-28 AWG
 3 = 16 AWG
CHAIN OR LOOSE _____
 BLANK= CHAIN
 L= LOOSE

SEE SHEET 1 EC NO: UCP2014-3293 DRAWN: NGUYEN 2014/02/11 CHKD: BELL 2014/02/11 APPR: FSMITH 2014/03/21	QUALITY SYMBOLS ▽=0 ▽=0 ▽=0	GENERAL TOLERANCES (UNLESS SPECIFIED)		DIMENSION STYLE IN/MM		SCALE 1:1	DESIGN UNITS INCH	THIRD ANGLE PROJECTION	
		4 PLACES ± .010		DRAWN BY DATE NGUYEN 2014/02/11		MALE CRIMP TERMINAL WITH TIN-OVER-NICKEL PLATING. (MINI-FIT JR. SERIES) 			
		3 PLACES ± .010		CHECKED BY DATE GEP 1992/05/12					
		2 PLACES ± .015		APPROVED BY DATE FSMITH 2014/03/21		MATERIAL NO.		DOCUMENT NO.	
1 PLACE ± .025		DRAFT WHERE APPLICABLE MUST REMAIN WITHIN DIMENSIONS		SEE CHART		SD-5558-*S*		2 OF 2	
0 PLACE ± .038				SIZE C		THIS DRAWING CONTAINS INFORMATION THAT IS PROPRIETARY TO MOLEX INCORPORATED AND SHOULD NOT BE USED WITHOUT WRITTEN PERMISSION			