



Chipsmall Limited consists of a professional team with an average of over 10 year of expertise in the distribution of electronic components. Based in Hongkong, we have already established firm and mutual-benefit business relationships with customers from,Europe,America and south Asia,supplying obsolete and hard-to-find components to meet their specific needs.

With the principle of “Quality Parts,Customers Priority,Honest Operation,and Considerate Service”,our business mainly focus on the distribution of electronic components. Line cards we deal with include Microchip,ALPS,ROHM,Xilinx,Pulse,ON,Everlight and Freescale. Main products comprise IC,Modules,Potentiometer,IC Socket,Relay,Connector.Our parts cover such applications as commercial,industrial, and automotives areas.

We are looking forward to setting up business relationship with you and hope to provide you with the best service and solution. Let us make a better world for our industry!



Contact us

Tel: +86-755-8981 8866 Fax: +86-755-8427 6832

Email & Skype: info@chipsmall.com Web: www.chipsmall.com

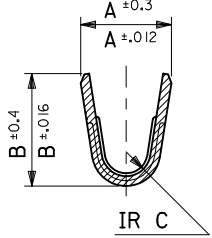
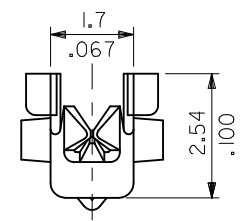
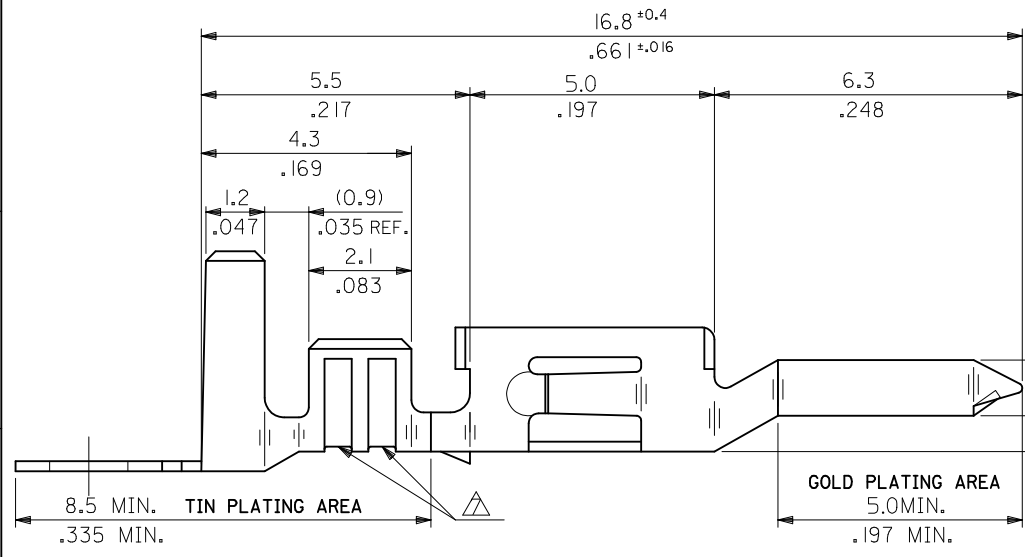
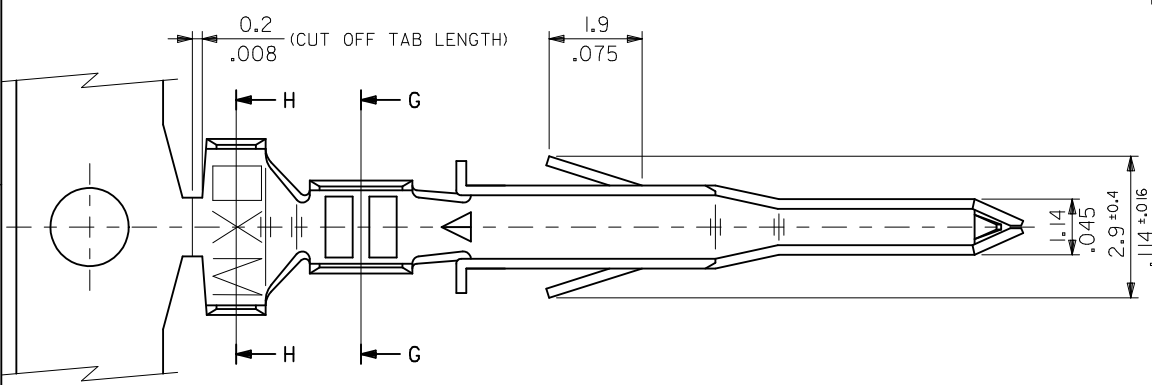
Address: A1208, Overseas Decoration Building, #122 Zhenhua RD., Futian, Shenzhen, China



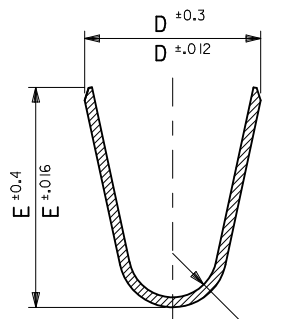
10 9 8 7 6 5 4 3 2 1

NOTES

1. MATERIAL: SEE CHART
2. FINISH: SEE CHART
3. PRODUCT SPECIFICATION: PS-5556-001, PS-5556-002, PS-5556-003.
4. PACKAGING SPECIFICATION: PK-5558-001 FOR CHAIN
PK-5556-003 FOR LOOSE
5. MATES WITH TERMINAL: 5556 SERIES.
6. APPLICABLE HOUSING: 5559, 30068, 42475 SERIES.
7. THE NUMBER OF SERRATIONS TO BE ONE FOR WIRE RANGE #22-28.
8. WHEN TERMINALS ARE INSTALLED IN THE HOUSING THE WIRES ARE TO BE DRESSED IN SUCH A MANNER TO ALLOW THE TERMINALS TO FLOAT FREELY IN THE POCKET.
9. THIS TERMINAL IS DESIGNED FOR SINGLE WIRE CRIMPING.
10. PART CONFORMS TO CLASS "B" REQUIREMENTS OF COSMETIC SPECIFICATION PS-45499-002.



SECT. G-G



SECT. H-H

<p>UPDATE NOTES EC NO: UCP2010-2478 DRWN: J JAGUILAR 2010/04/06 CHKD: JBELL '92/05/21 APPR: FSMITH 2010/04/09</p>	<p>QUALITY SYMBOLS F7=0 F7=0 F7=0</p>	GENERAL TOLERANCES (UNLESS SPECIFIED)		DIMENSION STYLE	SCALE	DESIGN UNITS	THIRD ANGLE PROJECTION
				MM/IN	10:1	METRIC	
				DRAWN BY	DATE	TITLE	
				CHECKED BY	DATE		
		APPROVED BY		DATE	MOLEX INCORPORATED		SHEET NO. 1 OF 2
		MATERIAL NO.		DOCUMENT NO.			
DRAFT WHERE APPLICABLE MUST REMAIN WITHIN DIMENSIONS		SEE CHART		SD-5558-002			
		SIZE B THIS DRAWING CONTAINS INFORMATION THAT IS PROPRIETARY TO MOLEX INCORPORATED AND SHOULD NOT BE USED WITHOUT WRITTEN PERMISSION					

9 8 7 6 5 4 3 2 1

PHOSPHOR BRONZE	SELECTIVE GOLD 0.76µm /30m.i. MIN. AND SELECTIVE TIN 2.03µm /80m.i. MIN. OVER NICKEL 1.27µm /50m.i. MIN.	0.9 .035	4.5 .177	3.6 .142	0.6 .024	2.7 .106	2.3 .091	∅ 3.1 .122 MAX.	# 16	39-00-0224	5558 PBGS3L	LOOSE	
		0.6 .024	2.3 .091	2.3 .091	0.4 .016	1.65 .065	1.8 .071	∅ 0.9-1.8 .035-.071	#22-28	↑ -0223	↑ PBGS3	CHAIN	
		0.6 .024	2.3 .091	2.3 .091	0.4 .016	1.65 .065	1.8 .071	∅ 0.9-1.8 .035-.071	#22-28	-0222	PBGS2L	LOOSE	
		0.9 .035	4.5 .177	3.6 .142	0.5 .020	2.3 .091	1.9 .075	∅ 1.3-3.1 .051-.122	# 18-24	-0221	PBGS2	CHAIN	
		0.9 .035	4.5 .177	3.6 .142	0.5 .020	2.3 .091	1.9 .075	∅ 1.3-3.1 .051-.122	# 18-24	-0220	PBGS1	LOOSE	
		0.9 .035	4.5 .177	3.6 .142	0.5 .020	2.3 .091	1.9 .075	∅ 1.3-3.1 .051-.122	# 18-24	-0219	PBGS	CHAIN	
	BRASS	SELECTIVE GOLD 1.27µm /50m.i. MIN. AND SELECTIVE TIN 2.54µm /100m.i. MIN. OVER NICKEL 1.27µm /50m.i. MIN.	0.9 .035	4.5 .177	3.6 .142	0.6 .024	2.7 .106	2.3 .091	∅ 3.1 .122 MAX.	# 16	-0148	GS9L	LOOSE
			0.6 .024	2.3 .091	2.3 .091	0.4 .016	1.65 .065	1.8 .071	∅ 0.9-1.8 .035-.071	#22-28	↓ -0147	GS9	CHAIN
			0.6 .024	2.3 .091	2.3 .091	0.4 .016	1.65 .065	1.8 .071	∅ 0.9-1.8 .035-.071	#22-28	↓ -0146	GS8L	LOOSE
			0.9 .035	4.5 .177	3.6 .142	0.5 .020	2.3 .091	1.9 .075	∅ 1.3-3.1 .051-.122	# 18-24	39-00-0145	GS8	CHAIN
			0.9 .035	4.5 .177	3.6 .142	0.5 .020	2.3 .091	1.9 .075	∅ 1.3-3.1 .051-.122	# 18-24	40-13-0854	GS7L	LOOSE
			0.9 .035	4.5 .177	3.6 .142	0.5 .020	2.3 .091	1.9 .075	∅ 1.3-3.1 .051-.122	# 18-24	40-13-0853	GS7	CHAIN
SELECTIVE GOLD 0.38µm /15m.i. MIN. AND SELECTIVE TIN 2.03µm /80m.i. MIN. OVER NICKEL 1.27µm /50m.i. MIN.		0.9 .035	4.5 .177	3.6 .142	0.6 .024	2.7 .106	2.3 .091	∅ 3.1 .122 MAX.	# 16	39-00-0100	GS6L	LOOSE	
		0.6 .024	2.3 .091	2.3 .091	0.4 .016	1.65 .065	1.8 .071	∅ 0.9-1.8 .035-.071	#22-28	↑ -0099	GS6	CHAIN	
		0.6 .024	2.3 .091	2.3 .091	0.4 .016	1.65 .065	1.8 .071	∅ 0.9-1.8 .035-.071	#22-28	-0098	GS5L	LOOSE	
		0.6 .024	2.3 .091	2.3 .091	0.4 .016	1.65 .065	1.8 .071	∅ 0.9-1.8 .035-.071	#22-28	-0097	GS5	CHAIN	
		0.9 .035	4.5 .177	3.6 .142	0.5 .020	2.3 .091	1.9 .075	∅ 1.3-3.1 .051-.122	# 18-24	-0076	GS4L	LOOSE	
		0.9 .035	4.5 .177	3.6 .142	0.5 .020	2.3 .091	1.9 .075	∅ 1.3-3.1 .051-.122	# 18-24	-0075	GS4	CHAIN	
SELECTIVE GOLD 0.76µm /30m.i. MIN. AND SELECTIVE TIN 2.03µm /80m.i. MIN. OVER NICKEL 1.27µm /50m.i. MIN.	0.9 .035	4.5 .177	3.6 .142	0.6 .024	2.7 .106	2.3 .091	∅ 3.1 .122 MAX.	# 16	-0096	GS3L	LOOSE		
	0.6 .024	2.3 .091	2.3 .091	0.4 .016	1.65 .065	1.8 .071	∅ 0.9-1.8 .035-.071	#22-28	-0095	GS3	CHAIN		
	0.6 .024	2.3 .091	2.3 .091	0.4 .016	1.65 .065	1.8 .071	∅ 0.9-1.8 .035-.071	#22-28	-0433	GS2L7F	LOOSE		
	0.6 .024	2.3 .091	2.3 .091	0.4 .016	1.65 .065	1.8 .071	∅ 0.9-1.8 .035-.071	#22-28	-0432	GS27F	CHAIN		
	0.9 .035	4.5 .177	3.6 .142	0.5 .020	2.3 .091	1.9 .075	∅ 1.3-3.1 .051-.122	# 18-24	↓ -0431	↓ GSL7F	LOOSE		
	0.9 .035	4.5 .177	3.6 .142	0.5 .020	2.3 .091	1.9 .075	∅ 1.3-3.1 .051-.122	# 18-24	39-00-0430	5558 GS7F	CHAIN		
MATERIAL	FINISH	F	E	D	C	B	A	INS. RANGE	WIRE RANGE	EDP NO.	ENG NO.	FORM	

UPDATE TITLE BLOCK EC NO: UCP2010-2478 DRWN: J JAGUILAR 2010/04/06 CHKD: JBELL '92/05/21 APPR: FSMITH 2010/04/09 REV E1	QUALITY SYMBOLS	GENERAL TOLERANCES (UNLESS SPECIFIED)	DIMENSION STYLE	SCALE	DESIGN UNITS	THIRD ANGLE PROJECTION
	▽=0	mm INCH	MM/IN	10:1	METRIC	
	▽=0	4 PLACES ± -- ± ---	DRAWN BY DATE	TITLE		
	▽=0	3 PLACES ± -- ± .008	H.HIRAMOTO '91/03/13	MINI-FIT JR SELECT GOLD MALE CRIMP TERMINAL -LEAD FREE-		
	2 PLACES ± 0.20 ± .008	CHECKED BY DATE	MOLEX MOLEX INCORPORATED			
	1 PLACE ± 0.2 ± ---	M.FUKUSHIMA '92/05/21	DOCUMENT NO. SD-5558-002			
	ANGULAR ± 3 °	APPROVED BY DATE	SHEET NO. 2 OF 2			
		FSMITH 2010/04/09	THIS DRAWING CONTAINS INFORMATION THAT IS PROPRIETARY TO MOLEX INCORPORATED AND SHOULD NOT BE USED WITHOUT WRITTEN PERMISSION			
		MATERIAL NO.				
		SEE CHART				