



Chipsmall Limited consists of a professional team with an average of over 10 year of expertise in the distribution of electronic components. Based in Hongkong, we have already established firm and mutual-benefit business relationships with customers from,Europe,America and south Asia,supplying obsolete and hard-to-find components to meet their specific needs.

With the principle of “Quality Parts,Customers Priority,Honest Operation,and Considerate Service”,our business mainly focus on the distribution of electronic components. Line cards we deal with include Microchip,ALPS,ROHM,Xilinx,Pulse,ON,Everlight and Freescale. Main products comprise IC,Modules,Potentiometer,IC Socket,Relay,Connector.Our parts cover such applications as commercial,industrial, and automotives areas.

We are looking forward to setting up business relationship with you and hope to provide you with the best service and solution. Let us make a better world for our industry!



Contact us

Tel: +86-755-8981 8866 Fax: +86-755-8427 6832

Email & Skype: info@chipsmall.com Web: www.chipsmall.com

Address: A1208, Overseas Decoration Building, #122 Zhenhua RD., Futian, Shenzhen, China



F

E

D

C

B

A

F

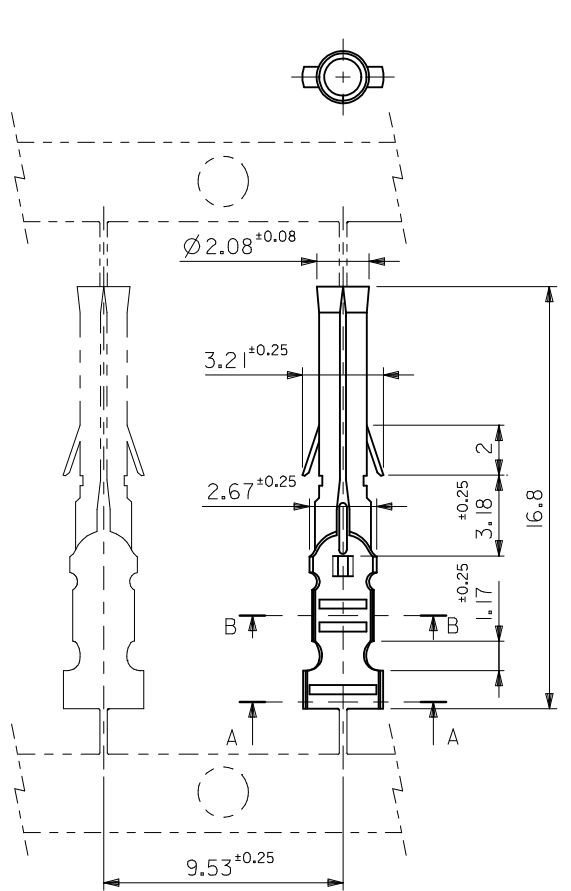
E

D

C

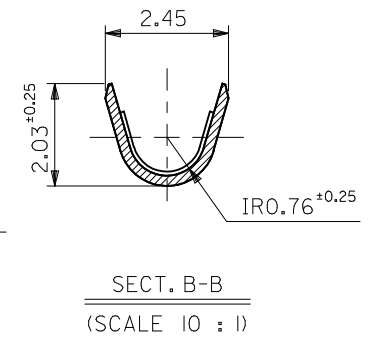
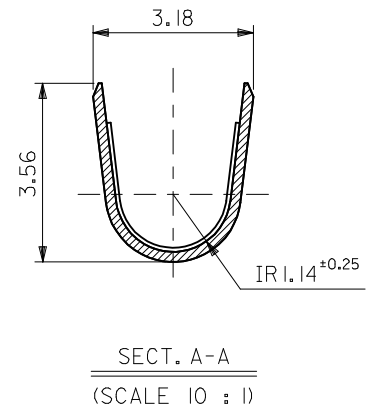
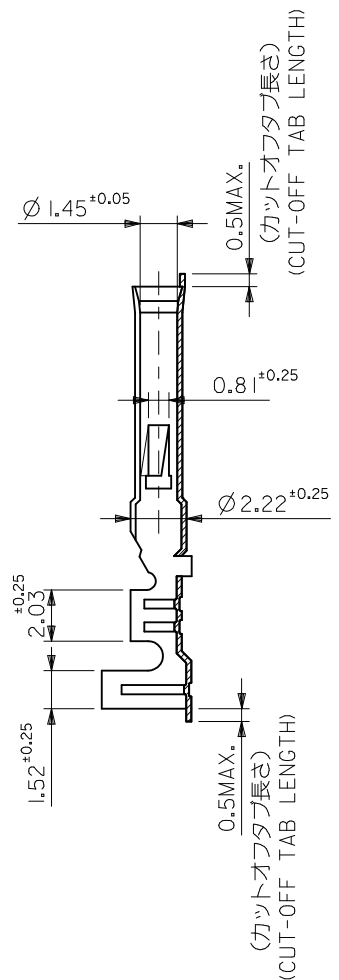
B

A



注記 NOTES:

1. 一般公差 : ±0.4
GENERAL TOLERANCES : ±0.4



ニッケル (2 µm MIN.) 下地 金 (0.35 µm MIN.) GOLD (0.35 µm MIN.) OVER NICKEL (2 µm MIN.)	39-00-0334	I56 IGL	バラ端子 LOOSE
銅 (0.5 µm MIN.) 下地 錫 (0.9 µm MIN.) OVER COPPER (0.5 µm MIN.)	39-00-0333	I56 IG	連鎖状端子 CHAIN
銅 (0.5 µm MIN.) 下地 錫 (0.9 µm MIN.) OVER TIN (0.9 µm MIN.) OVER COPPER (0.5 µm MIN.)	39-00-0331	I56 ITL	バラ端子 LOOSE
メッキ PLATING	39-00-0279	I56 IT	連鎖状端子 CHAIN
EDP.NO.	ENG.NO.	形状 FORM	

材料 MATERIAL 黄銅 BRASS 0.2 t
仕上げ FINISH
適用電線範囲 WIRE RANGE AWG# 18-#24
被覆外径 INS. RANGE Ø 1.5 ~ 3.1

REVISED
EC NO: J2009-19/1
DRWN: YA0YAGI 2009/02/16
CHKD: THARUYAMA 2009/02/17
APPR: NUKITA 2009/02/17
DESCRIPTION
REV

GENERAL TOLERANCES (UNLESS SPECIFIED)	
10 UNDER	± ---
10 OVER 30 UNDER	± ---
30 OVER	± ---
ANGULAR	± --- °
DRAFT WHERE APPLICABLE MUST REMAIN WITHIN DIMENSIONS	

DIMENSION STYLE MM ONLY	
DRAWN BY	DATE
H. HASEGAWA	'93/07/09
CHECKED BY	DATE
H. HIRAMOTO	'93/07/09
APPROVED BY	DATE
M. FUKUSHIMA	'93/07/09
MATERIAL NO.	
SEE TABLE	
SIZE	A3

SCALE 5:1	DESIGN UNITS METRIC	THIRD ANGLE PROJECTION
TITLE .062 DIA CRIMP FEMALE TERM		
MOLEX INCORPORATED		
DOCUMENT NO. SD-1561-001	SHEET NO. 1 OF 1	
THIS DRAWING CONTAINS INFORMATION THAT IS PROPRIETARY TO MOLEX INCORPORATED AND SHOULD NOT BE USED WITHOUT WRITTEN PERMISSION		