



Chipsmall Limited consists of a professional team with an average of over 10 year of expertise in the distribution of electronic components. Based in Hongkong, we have already established firm and mutual-benefit business relationships with customers from,Europe,America and south Asia,supplying obsolete and hard-to-find components to meet their specific needs.

With the principle of “Quality Parts,Customers Priority,Honest Operation,and Considerate Service”,our business mainly focus on the distribution of electronic components. Line cards we deal with include Microchip,ALPS,ROHM,Xilinx,Pulse,ON,Everlight and Freescale. Main products comprise IC,Modules,Potentiometer,IC Socket,Relay,Connector.Our parts cover such applications as commercial,industrial, and automotives areas.

We are looking forward to setting up business relationship with you and hope to provide you with the best service and solution. Let us make a better world for our industry!



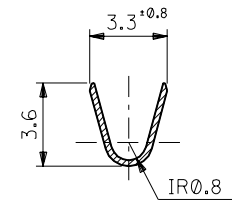
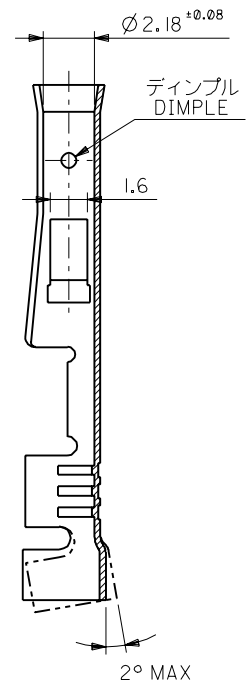
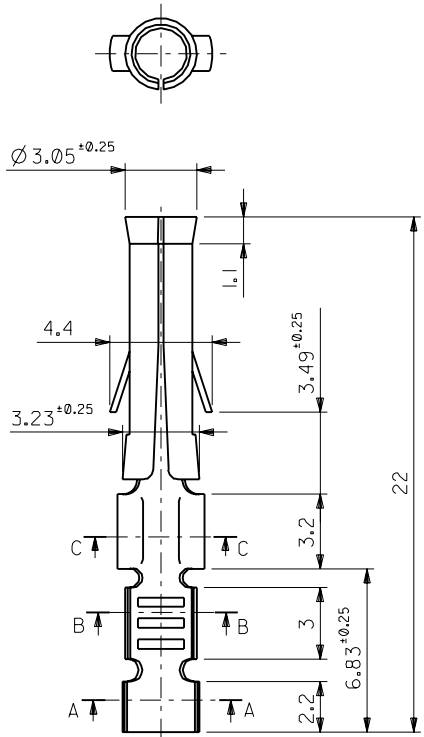
Contact us

Tel: +86-755-8981 8866 Fax: +86-755-8427 6832

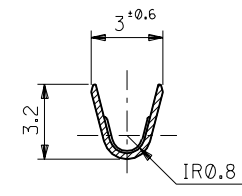
Email & Skype: info@chipsmall.com Web: www.chipsmall.com

Address: A1208, Overseas Decoration Building, #122 Zhenhua RD., Futian, Shenzhen, China

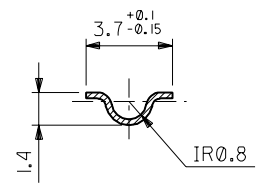




SECT. A-A



SECT. B-B



SECT. C-C

注記 NOTES:

1. 一般公差: ±0.4
GENERAL TOLERANCES: ±0.4

ニッケル (2 μm MIN.) 下地 金 (0.35 μm MIN.) GOLD (0.35 μm MIN.) OVER NICKEL (2 μm MIN.)	無 NO	39-00-0314	I381AGL	バラ端子 LOOSE
	有 YES	39-00-0312	I381AG	連鎖状端子 CHAIN
銅 (3 μm MIN.) 下地 錫 (0.5 μm MIN.) OVER TIN (0.5 μm MIN.) OVER COPPER (3 μm MIN.)	無 NO	39-00-0310	I381AT2L	バラ端子 LOOSE
	有 YES	39-00-0311	I381G	連鎖状端子 CHAIN
銅 (0.5 μm MIN.) 下地 錫 (0.9 μm MIN.) OVER TIN (0.9 μm MIN.) OVER COPPER (0.5 μm MIN.)	無 NO	39-00-0308	I381ATL	バラ端子 LOOSE
	有 YES	39-00-0284	I381AT	連鎖状端子 CHAIN
	有 YES	39-00-0307	I381ITL	バラ端子 LOOSE
	有 YES	39-00-0285	I381IT	連鎖状端子 CHAIN
メッキ PLATING	ディンプル有無 WITH DIMPLE	EDP.NO.	ENG.NO.	形状 FORM

材料 MATERIAL 黄銅 BRASS 0.264t		molex MOLEX-JAPAN CO.,LTD. 日本モレックス株式会社	
仕上げ FINISH		REVISE ONLY ON CAD SYSTEM	
適用電線範囲 WIRE RANGE AWG# 18-#24		TITLE 名称	
被覆外径 INS. RANGE $\phi 1.5 \sim 3.1$.093 DIA. FEMALE TERM.	
DRAWN BY 93/07/06 CHK'D BY 93/07/06 H.HASEGAWA H.HIRAMOTO		DWG. NO.	REV
APP'D BY 93/07/06 尺度 M.FUKUSHIMA SCALE 5 : 1		SD-1381*	H
角度 ANGLE	±3°	記号 LTR	変更内容 REVISION RECORD
30° 以上 OVER	+0.3	REDRAWN (J30673)	DR. DATE
10° 以上 30° 未満 OVER	+0.25	H.H	93/07/06
10° 未満 UNDER	+0.2	H.H	93/07/06
一般公差 GENERAL TOLERANCES			