



Chipsmall Limited consists of a professional team with an average of over 10 year of expertise in the distribution of electronic components. Based in Hongkong, we have already established firm and mutual-benefit business relationships with customers from,Europe,America and south Asia,supplying obsolete and hard-to-find components to meet their specific needs.

With the principle of "Quality Parts,Customers Priority,Honest Operation,and Considerate Service",our business mainly focus on the distribution of electronic components. Line cards we deal with include Microchip,ALPS,ROHM,Xilinx,Pulse,ON,Everlight and Freescale. Main products comprise IC,Modules,Potentiometer,IC Socket,Relay,Connector.Our parts cover such applications as commercial,industrial, and automotives areas.

We are looking forward to setting up business relationship with you and hope to provide you with the best service and solution. Let us make a better world for our industry!



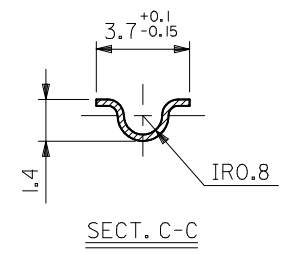
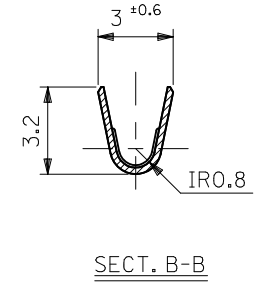
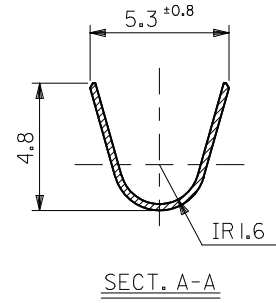
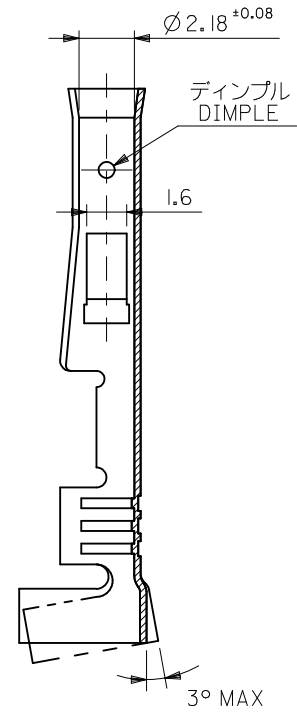
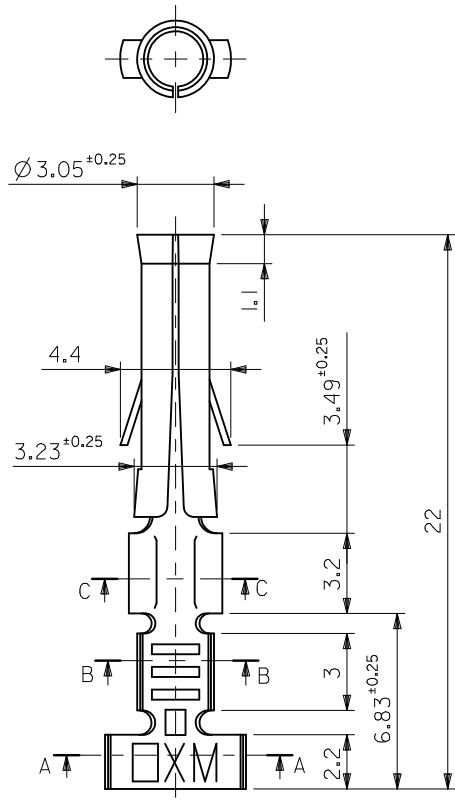
## Contact us

Tel: +86-755-8981 8866 Fax: +86-755-8427 6832

Email & Skype: info@chipsmall.com Web: www.chipsmall.com

Address: A1208, Overseas Decoration Building, #122 Zhenhua RD., Futian, Shenzhen, China





注記 NOTES:  
 1. 一般公差 : ±0.4  
 GENERAL TOLERANCES: ±0.4

材料 MATERIAL	黄銅 BRASS	0.264t
適用電線範囲 WIRE RANGE	AWG# 14-#20	
被覆外径 INS. RANGE	∅ 1.6~4.1	

REVISED	DESCRIPTION
EC NO: J2010-2186	
DRW:RTSURIJOKA 2010/05/17	
CHKD:THARUYAMA 2010/05/17	
APPR:HHIRATA 2010/05/21	
J	REV

GENERAL TOLERANCES (UNLESS SPECIFIED)	
10 UNDER	± ---
10 OVER 30 UNDER	± ---
30 OVER	± ---
ANGULAR	± --- °
DRAFT WHERE APPLICABLE MUST REMAIN WITHIN DIMENSIONS	

DIMENSION STYLE	
MM ONLY	
DRAWN BY	DATE
HHASEGAWA	1993/07/06
CHECKED BY	DATE
HHIRAMOTO	1993/07/06
APPROVED BY	DATE
MFUKUSHIMA	1993/07/06
MATERIAL NO.	
SEE TABLE	
SIZE	A3

SCALE	5:1
DESIGN UNITS	METRIC
THIRD ANGLE PROJECTION	
TITLE	
.093 DIA.FEMALE TERM.	
MATERIAL NO.	
SEE TABLE	
SIZE	A3

EDP.NO.	ENG.NO.	形状 FORM
39-00-0295	1189AGL	バラ端子 LOOSE
39-00-0293	1189AG	連鎖状端子 CHAIN
39-00-0294	1189GL	バラ端子 LOOSE
39-00-0289	1189ATL	バラ端子 LOOSE
39-00-0281	1189AT	連鎖状端子 CHAIN
39-00-0288	1189TL	バラ端子 LOOSE
39-00-0282	1189T	連鎖状端子 CHAIN
MOLEX INCORPORATED		
SD-1189-002		
1 OF 1		