



Chipsmall Limited consists of a professional team with an average of over 10 year of expertise in the distribution of electronic components. Based in Hongkong, we have already established firm and mutual-benefit business relationships with customers from,Europe,America and south Asia,supplying obsolete and hard-to-find components to meet their specific needs.

With the principle of "Quality Parts,Customers Priority,Honest Operation,and Considerate Service",our business mainly focus on the distribution of electronic components. Line cards we deal with include Microchip,ALPS,ROHM,Xilinx,Pulse,ON,Everlight and Freescale. Main products comprise IC,Modules,Potentiometer,IC Socket,Relay,Connector.Our parts cover such applications as commercial,industrial, and automotives areas.

We are looking forward to setting up business relationship with you and hope to provide you with the best service and solution. Let us make a better world for our industry!



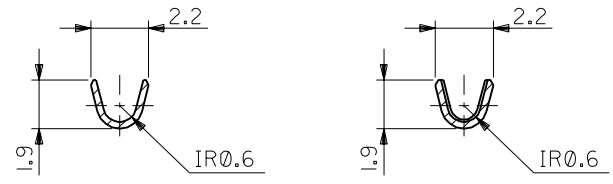
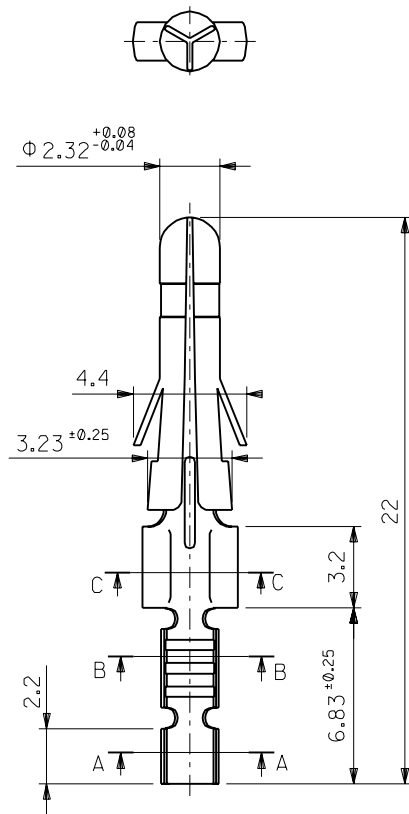
Contact us

Tel: +86-755-8981 8866 Fax: +86-755-8427 6832

Email & Skype: info@chipsmall.com Web: www.chipsmall.com

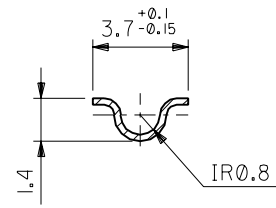
Address: A1208, Overseas Decoration Building, #122 Zhenhua RD., Futian, Shenzhen, China





SECT. A-A

SECT. B-B



SECT. C-C

注記 NOTES:
 1. 一般公差 : ± 0.4
 GENERAL TOLERANCES : ± 0.4

ニッケル (2 μ m MIN.) 下地 金 (0.35 μ m MIN.) GOLD (0.35 μ m MIN.) OVER NICKEL (2 μ m MIN.)	39-00-0326	I434GL	バラ端子 LOOSE
銅 (0.5 μ m MIN.) 下地 錫 (0.9 μ m MIN.) TIN (0.9 μ m MIN.) OVER COPPER (0.5 μ m MIN.)	39-00-0324	I434TL	バラ端子 LOOSE
メッキ PLATING	39-00-0325	I434G	連鎖状端子 CHAIN
	39-00-0323	I434T	連鎖状端子 CHAIN
	EDP.NO.	ENG.NO.	形状 FORM

材料 MATERIAL	黄銅 0.264t BRASS 0.264t
仕上げ FINISH	—
適用電線範囲 WIRE RANGE	AWG#24-#28
被覆外径 INS. RANGE	$\Phi 0.8 \sim 1.5$
DRAWN BY '93/06/18 H.HASEGAWA	CHK'D BY '93/06/18 H.HIRAMOTO
APP'D BY '93/06/18 M.FUKUSHIMA	尺度 SCALE 5 : 1
記号 LTR	変更内容 REVISION RECORD
DR. CHK.	日付 DATE
J	REDRAWN 再作図 (J30539)
	h.h '93/06/18

MOLEX-JAPAN CO.,LTD. 日本モレックス株式会社	
REVISE ONLY ON CAD SYSTEM	
TITLE 名称	
.093 DIA. MALE TERM.	
DWG. NO.	REV
SD-1434*	J