

Chipsmall Limited consists of a professional team with an average of over 10 year of expertise in the distribution of electronic components. Based in Hongkong, we have already established firm and mutual-benefit business relationships with customers from,Europe,America and south Asia,supplying obsolete and hard-to-find components to meet their specific needs.

With the principle of “Quality Parts,Customers Priority,Honest Operation,and Considerate Service”,our business mainly focus on the distribution of electronic components. Line cards we deal with include Microchip,ALPS,ROHM,Xilinx,Pulse,ON,Everlight and Freescale. Main products comprise IC,Modules,Potentiometer,IC Socket,Relay,Connector.Our parts cover such applications as commercial,industrial, and automotives areas.

We are looking forward to setting up business relationship with you and hope to provide you with the best service and solution. Let us make a better world for our industry!

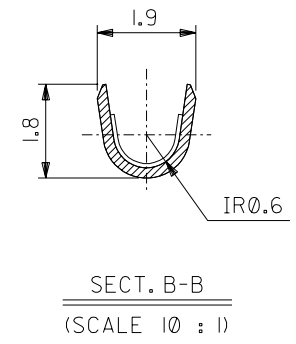
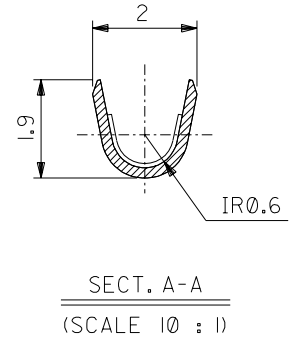
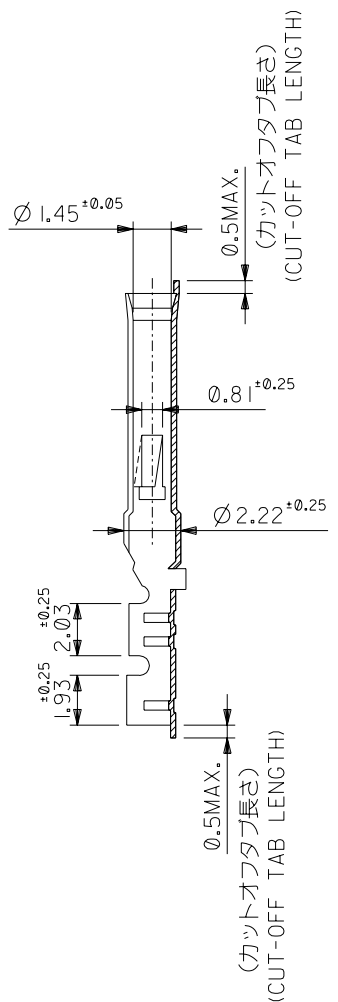
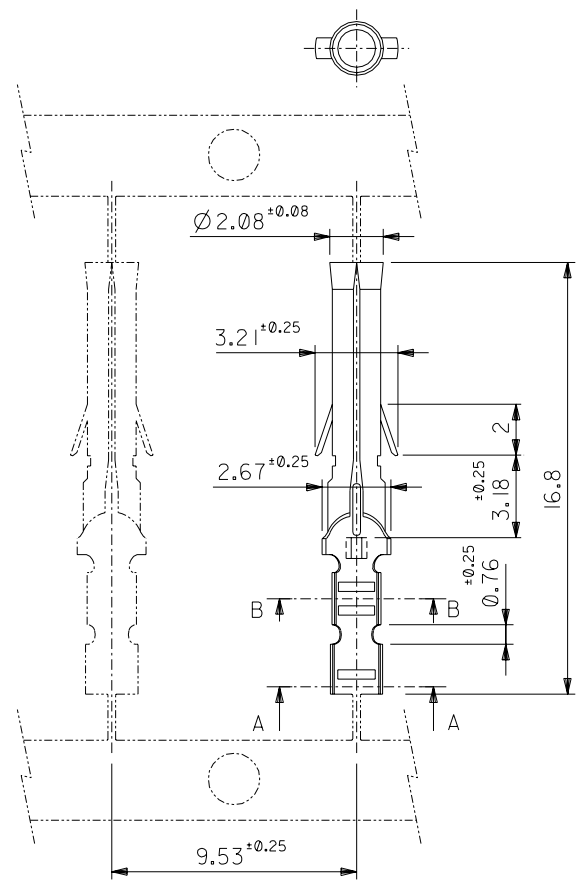


Contact us

Tel: +86-755-8981 8866 Fax: +86-755-8427 6832

Email & Skype: info@chipsmall.com Web: www.chipsmall.com

Address: A1208, Overseas Decoration Building, #122 Zhenhua RD., Futian, Shenzhen, China



注記 NOTES:
 1. 一般公差 : ±0.4
 GENERAL TOLERANCES: ±0.4

ニッケル (2 µm MIN.) 下地 金 (0.35 µm MIN.) GOLD (0.35 µm MIN.) OVER NICKEL (2 µm MIN.)	39-00-0341	1855GL	バラ端子 LOOSE
銅 (0.5 µm MIN.) 下地 錫 (0.9 µm MIN.) TIN (0.9 µm MIN.) OVER COPPER (0.5 µm MIN.)	39-00-0339	1855TL	バラ端子 LOOSE
メッキ PLATING	39-00-0338	1855T	連鎖状端子 CHAIN
	EDP.NO.	ENG.NO.	形状 FORM

材料 MATERIAL 黄銅 BRASS	0.2 t	molex MOLEX-JAPAN CO.,LTD. 日本モレックス株式会社
仕上げ FINISH	—	
適用電線範囲 WIRE RANGE	AWG#22-#28	REVISE ONLY ON CAD SYSTEM
被覆外径 INS. RANGE	Ø 1.1~1.5	TITLE 名称 .062 DIA. CRIMP FEMALE TERMINAL
DRAWN BY '93/07/09 H.HASEGAWA	CHK'D BY '93/07/09 H.HIRAMOTO	DWG. NO.
APP'D BY '93/07/09 M.FUKUSHIMA	尺度 SCALE	5 : 1
記号 LTR	変更内容 REVISION RECORD	DR. CHK.
	日付 DATE	REV

角度 ANGLE	±30
30 以上 OVER	±0.3
10 以上 30 未満 OVER UNDER	±0.25
10 未満 UNDER	±0.2
一般公差 GENERAL TOLERANCES	