



Chipsmall Limited consists of a professional team with an average of over 10 year of expertise in the distribution of electronic components. Based in Hongkong, we have already established firm and mutual-benefit business relationships with customers from,Europe,America and south Asia,supplying obsolete and hard-to-find components to meet their specific needs.

With the principle of “Quality Parts,Customers Priority,Honest Operation,and Considerate Service”,our business mainly focus on the distribution of electronic components. Line cards we deal with include Microchip,ALPS,ROHM,Xilinx,Pulse,ON,Everlight and Freescale. Main products comprise IC,Modules,Potentiometer,IC Socket,Relay,Connector.Our parts cover such applications as commercial,industrial, and automotives areas.

We are looking forward to setting up business relationship with you and hope to provide you with the best service and solution. Let us make a better world for our industry!



## Contact us

Tel: +86-755-8981 8866 Fax: +86-755-8427 6832

Email & Skype: info@chipsmall.com Web: www.chipsmall.com

Address: A1208, Overseas Decoration Building, #122 Zhenhua RD., Futian, Shenzhen, China



NOTES:

1) MATERIAL:

- "BLANK" = NYLON 6/6, 94V-2, COLOR: NATURAL.
- "BL" = NYLON 6/6, 94V-2, COLOR: BLACK.
- "BU" = NYLON 6/6, 94V-2, COLOR: BLUE.
- "RE" = NYLON 6/6, 94V-2, COLOR: RED.
- "210" = NYLON 6/6, 94V-0, COLOR: NATURAL.
- "400" = NYLON 6/6, 94V-0, COLOR: BLACK.

2) FINISH: NOT APPLICABLE

3) PRODUCT SPECIFICATION: PS-5556-001

4) PACKAGING: BULK

5) PART MATES WITH MOLEX RECEPTACLE #5557.

6) PART TO BE USED WITH MOLEX MALE TERMINAL #5558.

7) PART IS NOT DESIGNED FOR CURRENT SHARING.

8) CONNECTORS ARE NOT TO BE MATED OR UNMATED WHILE CIRCUITS ARE LIVE.

9) WIRES ARE TO BE DRESSED IN SUCH A MANNER TO ALLOW THE TERMINALS TO FLOAT FREELY IN THE POCKET.

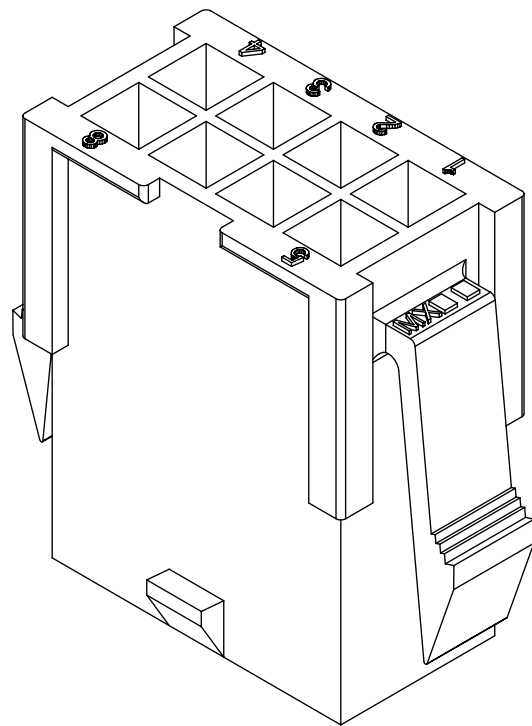
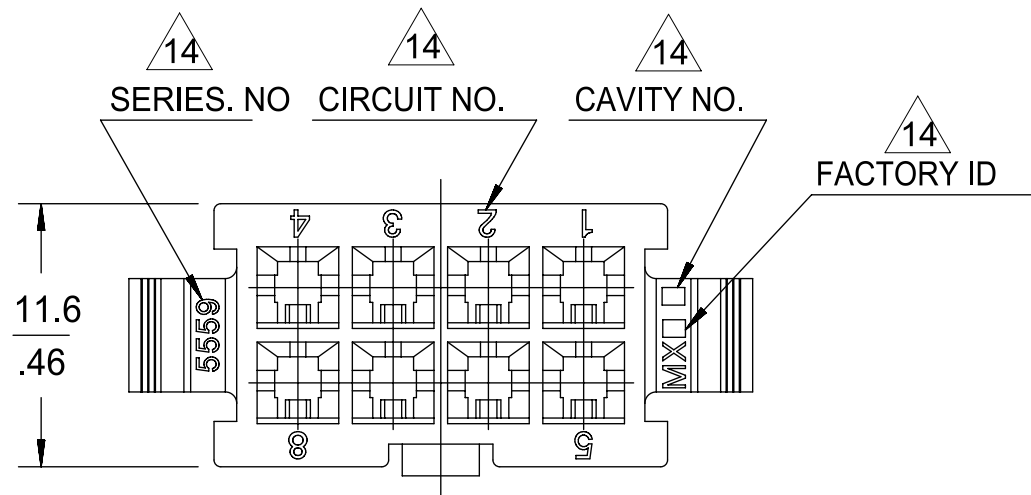
10) PART CONFORMS TO CLASS "B" REQUIREMENTS OF COSMETIC SPECIFICATION PS-45499-002 WITH THE EXCEPTION OF DISCOLORATION, FLASH AND SINK MEET CLASS "C" REQUIREMENTS.

11) ON 2 CIRCUITS PARTS THIS DIMENSION IS ALLOWABLE UP TO "D" DIMENSION.

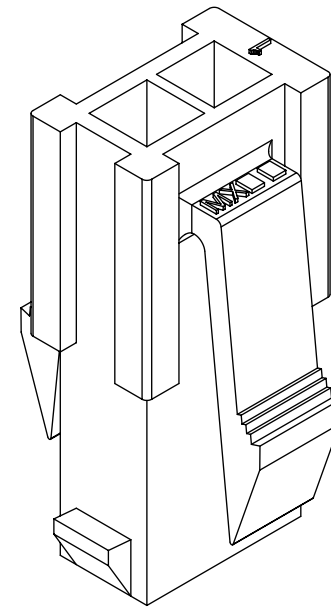
12) PANEL HOLE TO BE PUNCHED OUT IN THE SAME DIRECTION AS INSERTION INTO THE PANEL.

13) TO BE MEASURED AT SURFACE -A-

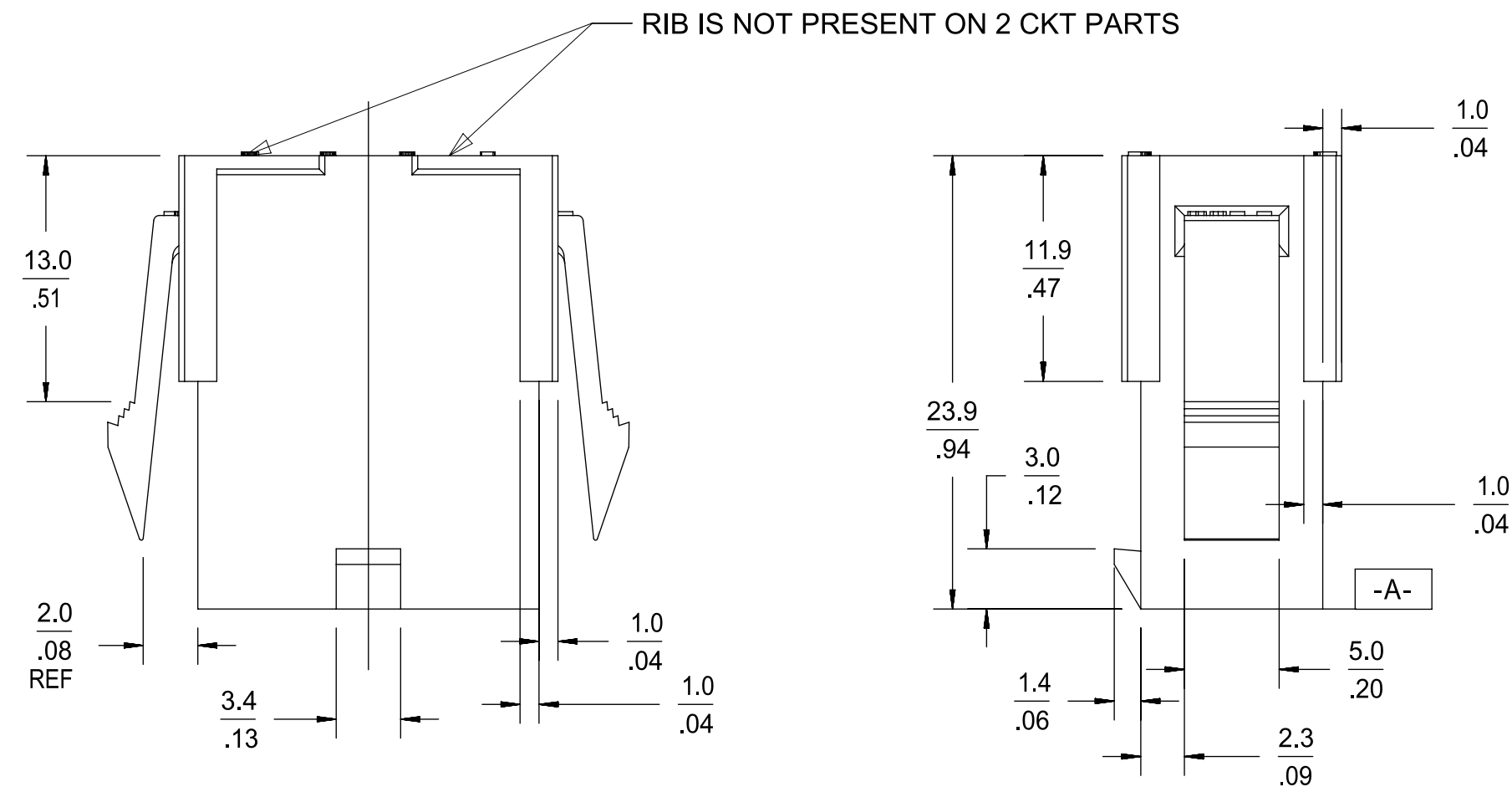
14) TEXT ON PART IS FOR REFERENCE ONLY. TEXT AND TEXT LOCATION MAY VARY DEPENDING ON PART NUMBER AND/OR TOOL.



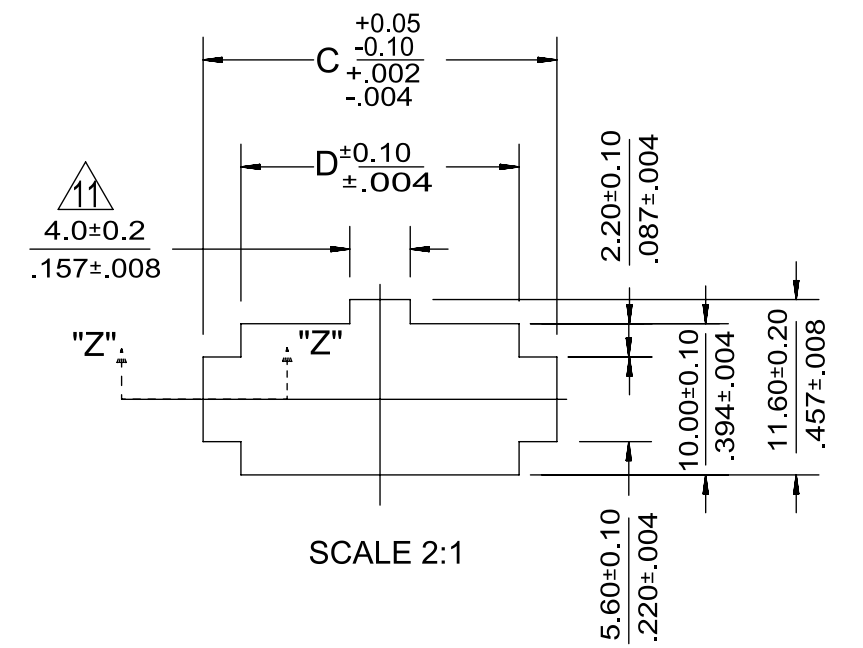
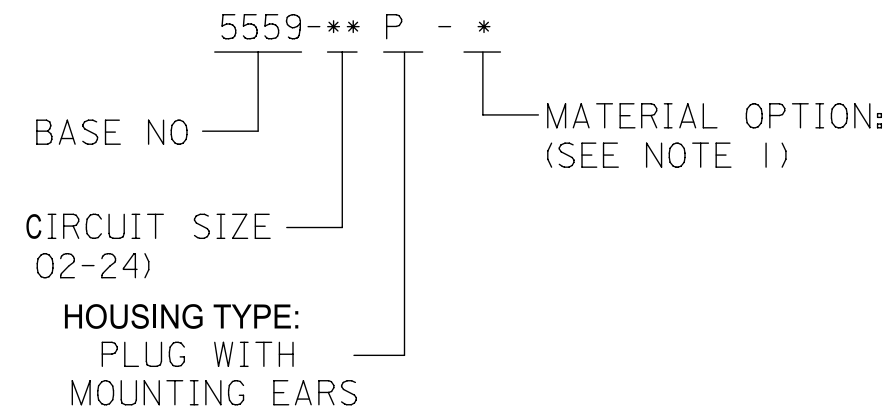
8 CKT SHOWN



2 CKT SHOWN

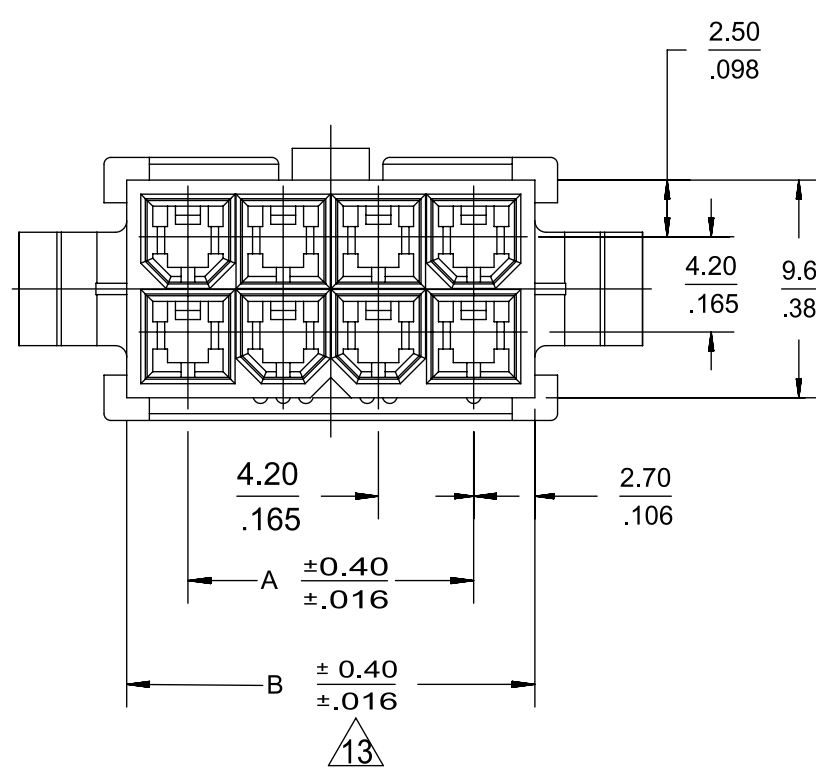
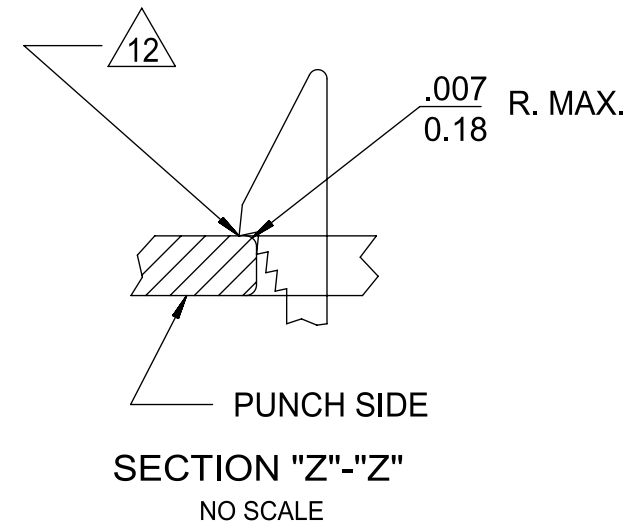


LEGEND



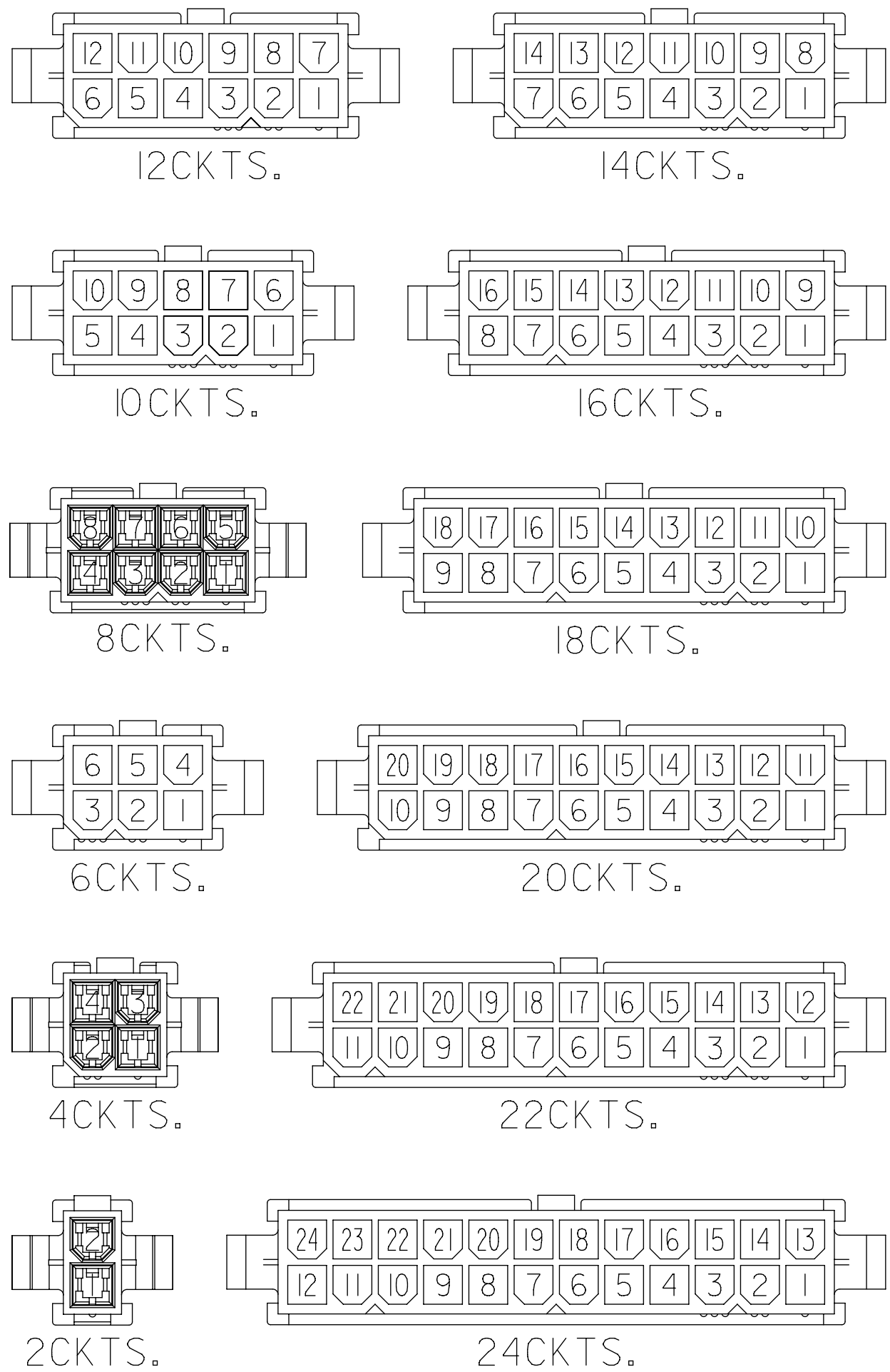
RECOMMENDED PANEL HOLE DIMENSIONS (THICKNESS : 0.8-2.0/.032-.079)

52.1/2.051	57.0/2.244	51.6/2.031	46.2/1.819	24
47.9/1.886	52.8/2.079	47.4/1.866	42.0/1.654	22
43.7/1.720	48.6/1.913	43.2/1.701	37.8/1.488	20
39.5/1.555	44.4/1.748	39.0/1.535	33.6/1.323	18
35.3/1.390	40.2/1.583	34.8/1.370	29.4/1.158	16
31.1/1.224	36.0/1.417	30.6/1.205	25.2/.992	14
26.8/1.055	31.8/1.252	26.4/1.039	21.0/.827	12
22.6/.890	27.6/1.087	22.2/.874	16.8/.661	10
18.4/.724	23.4/.921	18.0/.709	12.6/.496	8
14.2/.559	19.2/.756	13.8/.543	8.4/.331	6
10.0/.394	15.0/.591	9.6/.378	4.2/.165	4
5.8/.228	10.8/.425	5.4/.213	—	2
				CIRCUIT



QUALITY SYMBOLS	THIS DRAWING CONTAINS INFORMATION THAT IS PROPRIETARY TO MOLEX ELECTRONIC TECHNOLOGIES, LLC AND SHOULD NOT BE USED WITHOUT WRITTEN PERMISSION			
	GENERAL TOLERANCES (UNLESS SPECIFIED)		DIMENSION UNITS	SCALE
▽ = 0	MM INCH		MM/IN	3:1
▽ = 0	4 PLACES ± ±		DRWN BY	DATE
▽ = 0	3 PLACES ± ± 0.012		H.HIRAMOTO	1998/10/14
▽ = 0	2 PLACES ± 0.3 ± 0.016		CHK'D BY	DATE
▽ = 0	1 PLACES ± 0.4 ±		Y.YAMADA	1988/10/21
▽ = 0	0 PLACES ± ±		APPR BY	DATE
▽ = 0	ANGULAR TOL ± 3.0		M.ENOMOTO	1988/10/24
▽ = 0	DRAFT WHERE APPLICABLE MUST REMAIN WITHIN DIMENSIONS		DRAWING SIZE	THIRD ANGLE PROJECTION
▽ = 0	C			

PRODUCT CUSTOMER DRAWING		
SERIES	MATERIAL NUMBER	CUSTOMER
5559	SEE CHART	GENERAL MARKET
DOCUMENT NUMBER	DOC TYPE	DOC PART
SD-5559-NP	PSD	000
SHEET NUMBER	1 OF 2	



CIRCUIT SIZE LAYOUT (SCALE : 2-1)

V-2 BLACK			V-0 BLACK								
EDP NO.	ENG. NO.	CIRCUIT	EDP NO.	ENG. NO.	CIRCUIT						
46999-0157	5559-24P-BL	24	46999-0304	5559-24P-400	24						
		22	46999-0303	5559-22P-400	22						
39-02-8205	5559-20P-BL	20	46999-0302	5559-20P-400	20						
		18	46999-0301	5559-18P-400	18						
		16	46999-0300	5559-16P-400	16						
		14	46999-0299	5559-14P-400	14						
		2	46999-0298	5559-12P-400	2						
		10	46999-0297	5559-10P-400	10						
		8	46999-0296	5559-08P-400	8						
39-02-8065	5559-06P-BL	6	46999-0295	5559-06P-400	6						
39-02-8045	5559-04P-BL	4	46999-0294	5559-04P-400	4						
		2	46999-0293	5559-02P-400	2						
V-2 BLUE			V-2 RED			V-0 NATURAL			V-2 NATURAL		
		24			24	39-01-2246	5559 -24P-210	24	39-01-2241	5559-24P	24
		22			22	▲ -2226	▲ -22P-210	22	▲ -2221	▲ -22P	22
		20			20	-2206	-20P-210	20	-2201	-20P	20
		18			18	-2186	-18P-210	18	-2181	-18P	18
		16			16	-2166	-16P-210	16	-2161	-16P	16
		14			14	-2146	-14P-210	14	-2141	-14P	14
		2			2	-2126	-12P-210	2	-2121	-12P	2
		10			10	-2106	-10P-210	10	-2101	-10P	10
		8			8	-2086	-08P-210	8	-2081	-08P	8
39-02-8066	5559-06P-BU	6	39-02-8067	5559-06P-RE	6	▼ -2066	▼ -06P-210	6	▼ -2061	▼ -06P	6
39-02-8046	5559-04P-BU	4			4	▼ -2046	▼ -04P-210	4	▼ -2041	▼ -04P	4
		2			2	39-01-2026	5559 -02P-210	2	39-01-2021	5559-02P	2
EDP NO.	ENG. NO.	CIRCUIT	EDP NO.	ENG. NO.	CIRCUIT	EDP NO.	ENG. NO.	CIRCUIT	EDP NO.	ENG. NO.	CIRCUIT

THIS DRAWING CONTAINS INFORMATION THAT IS PROPRIETARY TO MOLEX ELECTRONIC TECHNOLOGIES, LLC AND SHOULD NOT BE USED WITHOUT WRITTEN PERMISSION

QUALITY SYMBOLS	<ul style="list-style-type: none"> <li>▽ = 0</li> <li>▽ = 0</li> <li>▽ = 0</li> <li>▼ = 0</li> <li>▽ = 0</li> <li>⊠ = 0</li> <li>■ = 0</li> <li>▽ = 0</li> </ul>	EC NO: 102682 DRWN: CSLAFTER CHKD: JBELL REV APPR: FSMITH	ADD 39028066 2016/10/06 2016/10/27 2016/11/02	GENERAL TOLERANCES (UNLESS SPECIFIED) 4 PLACES ± 3 PLACES ± 0.012 2 PLACES ± 0.3 1 PLACES ± 0.4 0 PLACES ±	DIMENSION UNITS: MM/IN SCALE: 3:1 DRWN BY: H.HIRAMOTO DATE: 1998/10/14 CHK'D BY: Y.YAMADA DATE: 1988/10/21 APPR BY: M.ENOMOTO DATE: 1988/10/24	<b>molex</b> MINI. FIT JR DUAL ROW 2-24CKT PLUG HOUSING WITH EARS PRODUCT CUSTOMER DRAWING
DRAFT WHERE APPLICABLE MUST REMAIN WITHIN DIMENSIONS <b>C</b>	ANGULAR TOL ± 3.0	DRAWING SIZE: C THIRD ANGLE PROJECTION	SERIES: 5559 MATERIAL NUMBER: SEE CHART CUSTOMER: GENERAL MARKET	DOCUMENT NUMBER: SD-5559-NP DOC TYPE: PSD DOC PART: 000 SHEET NUMBER: 2 OF 2		