



Chipsmall Limited consists of a professional team with an average of over 10 year of expertise in the distribution of electronic components. Based in Hongkong, we have already established firm and mutual-benefit business relationships with customers from,Europe,America and south Asia,supplying obsolete and hard-to-find components to meet their specific needs.

With the principle of “Quality Parts,Customers Priority,Honest Operation,and Considerate Service”,our business mainly focus on the distribution of electronic components. Line cards we deal with include Microchip,ALPS,ROHM,Xilinx,Pulse,ON,Everlight and Freescale. Main products comprise IC,Modules,Potentiometer,IC Socket,Relay,Connector.Our parts cover such applications as commercial,industrial, and automotives areas.

We are looking forward to setting up business relationship with you and hope to provide you with the best service and solution. Let us make a better world for our industry!



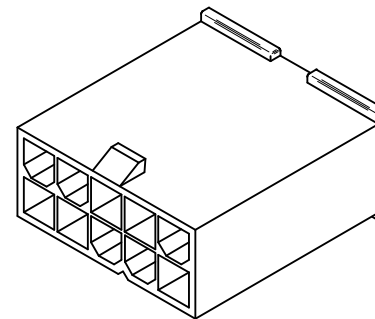
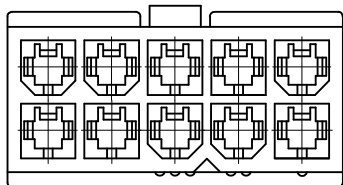
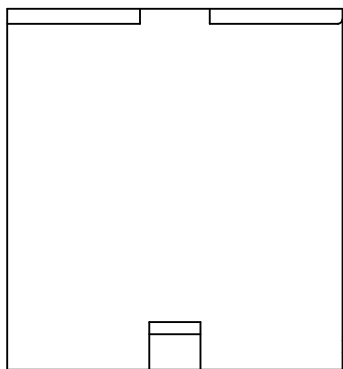
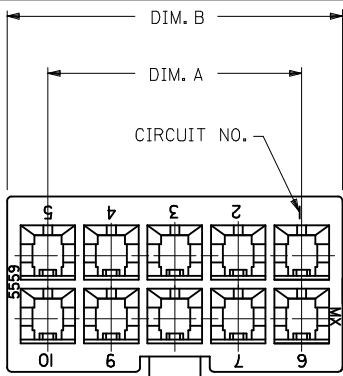
Contact us

Tel: +86-755-8981 8866 Fax: +86-755-8427 6832

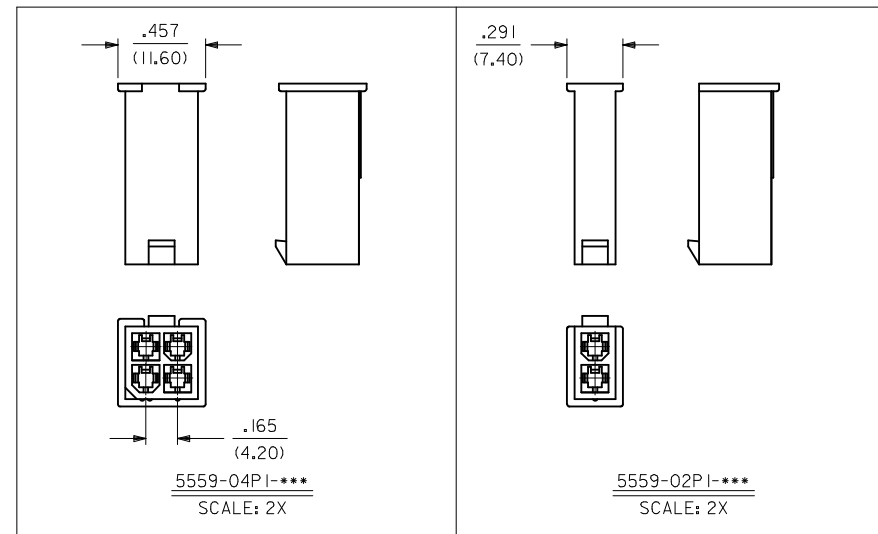
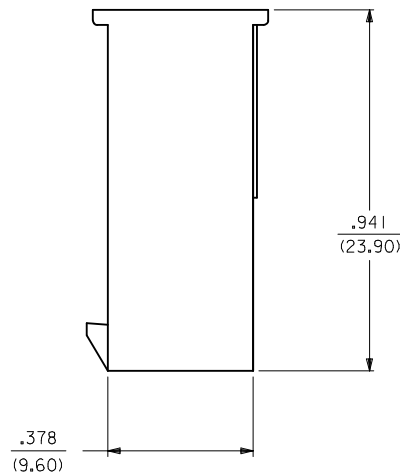
Email & Skype: info@chipsmall.com Web: www.chipsmall.com

Address: A1208, Overseas Decoration Building, #122 Zhenhua RD., Futian, Shenzhen, China





CKT. SIZE	DIM. A	DIM. B
6	.331 (8.40)	.543 (13.80)
8	.496 (12.60)	.709 (18.00)
10	.661 (16.80)	.874 (22.20)
12	.827 (21.00)	1.039 (26.40)
14	.992 (25.20)	1.205 (30.60)
16	1.157 (29.40)	1.370 (34.80)
18	1.323 (33.60)	1.535 (39.00)
20	1.488 (37.80)	1.701 (43.20)
22	1.654 (42.00)	1.866 (47.40)
24	1.819 (46.20)	2.031 (51.60)



NOTES:

- MATERIAL: BLANK=NYLON 6/6, UL 94V-2, COLOR: NATURAL
BL=NYLON 6/6, UL 94V-2, COLOR: BLACK
210=NYLON 6/6, UL 94V-0, COLOR: NATURAL
400=NYLON 6/6, UL 94V-0, COLOR: BLACK
- FINISH: N/A
- PRODUCT SPECIFICATION: PS-5556-001
- PACKAGING SPECIFICATION: PK-5559-002
- THIS PART MATES WITH RECEPTACLE #5557
- THIS PART IS FOR USE WITH MOLEX MALE TERMINAL #5558-*
- PART IS NOT DESIGNED FOR CURRENT SHARING
- CONNECTORS ARE NOT TO BE MATED OR UNMATED WHILE CIRCUITS ARE LIVE
- WIRES ARE TO BE DRESSED IN SUCH A MANNER TO ALLOW THE TERMINALS TO FLOAT FREELY IN THE POCKET
- PART CONFORMS TO CLASS "B" REQUIREMENTS OF COSMETIC SPECIFICATION PS-45499-002 WITH THE EXCEPTION OF DISCOLORATION, FLASH AND SINK MEET CLASS "C" REQUIREMENTS.

REV	DESCRIPTION	QUALITY SYMBOLS
D5	OBS - 220 P/NS EC NO: UCP2015-4965 DRWN: MONTI 2015/05/26 CHKD: JBELL 2015/05/26 APPR: FSMITH 2015/06/17	▽=0 ▽=0 ▽=0

GENERAL TOLERANCES (UNLESS SPECIFIED)	
mm	INCH
4 PLACES ± .005	± .0005
3 PLACES ± .005	± .0015
2 PLACES ± 0.38	± .005
1 PLACE ± .005	± .005
ANGULAR ± 1/2°	

DIMENSION STYLE	
IN/MM	
DRAWN BY	DATE
RJF	1989/09/22
CHECKED BY	DATE
BAP	1989/09/22
APPROVED BY	DATE
ROS	1989/09/22

SCALE	DESIGN UNITS	THIRD ANGLE PROJECTION
4:1	METRIC	☉
MINI FIT JR SERIES PLUG W/O MTG. EARS		
MOLEX INCORPORATED		SHEET NO. 1 OF 2
SD-5559-NP1*		

DRAFT WHERE APPLICABLE
MUST REMAIN
WITHIN DIMENSIONS

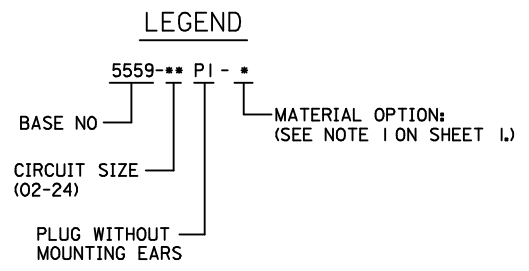
MATERIAL NO.
SEE CHART

DOCUMENT NO.
SD-5559-NP1*

THIS DRAWING CONTAINS INFORMATION THAT IS PROPRIETARY TO MOLEX INCORPORATED AND SHOULD NOT BE USED WITHOUT WRITTEN PERMISSION

13	12	11	10	9	8	7	6	5	4	3	2	1
PART NUMBER	ENG. NUMBER	CIRCUIT SIZE	MATERIAL	PART NUMBER	ENG. NUMBER	CIRCUIT SIZE	MATERIAL	PART NUMBER	ENG. NUMBER	CIRCUIT SIZE	MATERIAL	
39-01-3023	5559-02P I	2	94V-2	39-01-3029	5559-02P I-2 I0	2	94V-0	46999-0275	5559-02P I-400	2	94V-0 BLACK	
39-01-3043	5559-04P I	4	94V-2	39-01-3049	5559-04P I-2 I0	4	94V-0	46999-0276	5559-04P I-400	4	94V-0 BLACK	
39-01-3063	5559-06P I	6	94V-2	39-01-3069	5559-06P I-2 I0	6	94V-0	46999-0277	5559-06P I-400	6	94V-0 BLACK	
39-01-3083	5559-08P I	8	94V-2	39-01-3089	5559-08P I-2 I0	8	94V-0	46999-0278	5559-08P I-400	8	94V-0 BLACK	
39-01-3103	5559-10P I	10	94V-2	39-01-3109	5559-10P I-2 I0	10	94V-0	46999-0279	5559-10P I-400	10	94V-0 BLACK	
39-01-3123	5559-12P I	12	94V-2	39-01-3129	5559-12P I-2 I0	12	94V-0	46999-0280	5559-12P I-400	12	94V-0 BLACK	
39-01-3143	5559-14P I	14	94V-2	39-01-3149	5559-14P I-2 I0	14	94V-0	46999-0281	5559-14P I-400	14	94V-0 BLACK	
39-01-3163	5559-16P I	16	94V-2	39-01-3169	5559-16P I-2 I0	16	94V-0	46999-0282	5559-16P I-400	16	94V-0 BLACK	
39-01-3183	5559-18P I	18	94V-2	39-01-3189	5559-18P I-2 I0	18	94V-0	46999-0283	5559-18P I-400	18	94V-0 BLACK	
39-01-3203	5559-20P I	20	94V-2	39-01-3209	5559-20P I-2 I0	20	94V-0	46999-0284	5559-20P I-400	20	94V-0 BLACK	
39-01-3223	5559-22P I	22	94V-2	39-01-3229	5559-22P I-2 I0	22	94V-0	46999-0285	5559-22P I-400	22	94V-0 BLACK	
39-01-3243	5559-24P I	24	94V-2	39-01-3249	5559-24P I-2 I0	24	94V-0	46999-0286	5559-24P I-400	24	94V-0 BLACK	

PART NUMBER	ENG. NUMBER	CIRCUIT SIZE	MATERIAL
39-01-3026	5559-02P1-BL	2	94V-2 BLACK
39-01-3046	5559-04P1-BL	4	94V-2 BLACK
39-01-3066	5559-06P1-BL	6	94V-2 BLACK
39-01-3086	5559-08P1-BL	8	94V-2 BLACK
39-01-3106	5559-10P1-BL	10	94V-2 BLACK
39-01-3126	5559-12P1-BL	12	94V-2 BLACK
39-01-3146	5559-14P1-BL	14	94V-2 BLACK
39-01-3166	5559-16P1-BL	16	94V-2 BLACK



SEE SHEET 1 EC NO: UCP2015-4965 DRAWN: JNONT 2015/05/26 CHKD: JBELL 2015/05/26 APPR: FSMTH 2015/06/17	QUALITY SYMBOLS 	GENERAL TOLERANCES (UNLESS SPECIFIED) <table border="1"> <tr> <th></th> <th>mm</th> <th>INCH</th> </tr> <tr> <td>4 PLACES</td> <td>± .15</td> <td>± .005</td> </tr> <tr> <td>3 PLACES</td> <td>± .10</td> <td>± .004</td> </tr> <tr> <td>2 PLACES</td> <td>± 0.38</td> <td>± .015</td> </tr> <tr> <td>1 PLACE</td> <td>± .15</td> <td>± .005</td> </tr> </table>		mm	INCH	4 PLACES	± .15	± .005	3 PLACES	± .10	± .004	2 PLACES	± 0.38	± .015	1 PLACE	± .15	± .005	DIMENSION STYLE IN/MM	SCALE 1:1	DESIGN UNITS METRIC	THIRD ANGLE PROJECTION
		mm	INCH																		
	4 PLACES	± .15	± .005																		
	3 PLACES	± .10	± .004																		
2 PLACES	± 0.38	± .015																			
1 PLACE	± .15	± .005																			
DRAFT WHERE APPLICABLE MUST REMAIN WITHIN DIMENSIONS	MATERIAL NO. SEE CHART	DRAWN BY RJF	DATE 1989/09/22	TITLE MINI FIT JR SERIES PLUG W/O MTG. EARS	MOLEX INCORPORATED	SHEET NO. 2 OF 2															
SIZE 	THIS DRAWING CONTAINS INFORMATION THAT IS PROPRIETARY TO MOLEX INCORPORATED AND SHOULD NOT BE USED WITHOUT WRITTEN PERMISSION	APPROVED BY ROS	DATE 1989/09/22	DOCUMENT NO. SD-5559-NP1*	MOLEX																