



Chipsmall Limited consists of a professional team with an average of over 10 year of expertise in the distribution of electronic components. Based in Hongkong, we have already established firm and mutual-benefit business relationships with customers from,Europe,America and south Asia,supplying obsolete and hard-to-find components to meet their specific needs.

With the principle of “Quality Parts,Customers Priority,Honest Operation,and Considerate Service”,our business mainly focus on the distribution of electronic components. Line cards we deal with include Microchip,ALPS,ROHM,Xilinx,Pulse,ON,Everlight and Freescale. Main products comprise IC,Modules,Potentiometer,IC Socket,Relay,Connector.Our parts cover such applications as commercial,industrial, and automotives areas.

We are looking forward to setting up business relationship with you and hope to provide you with the best service and solution. Let us make a better world for our industry!



Contact us

Tel: +86-755-8981 8866 Fax: +86-755-8427 6832

Email & Skype: info@chipsmall.com Web: www.chipsmall.com

Address: A1208, Overseas Decoration Building, #122 Zhenhua RD., Futian, Shenzhen, China



DWG. NO.
SD-3191-02PI-*

E

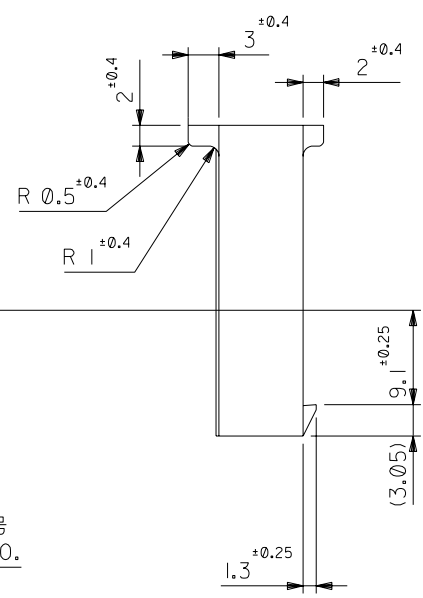
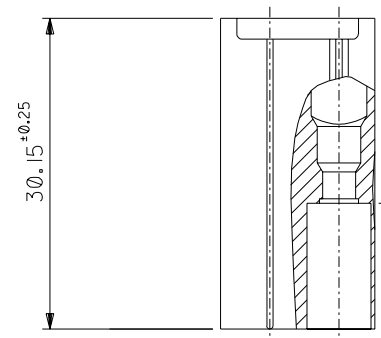
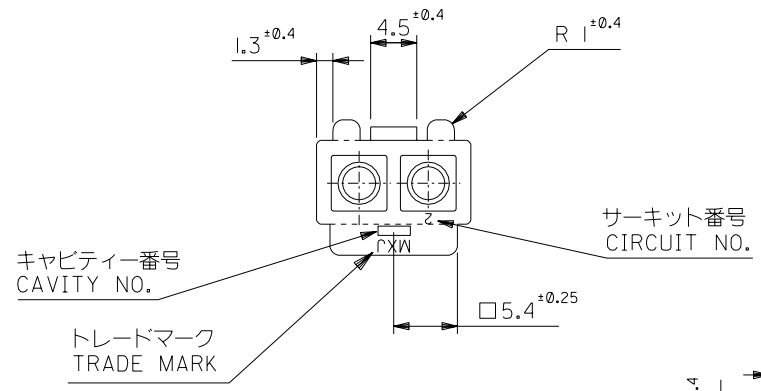
D

MM DIMENSIONS IN METRIC DO NOT SCALE DRAWING

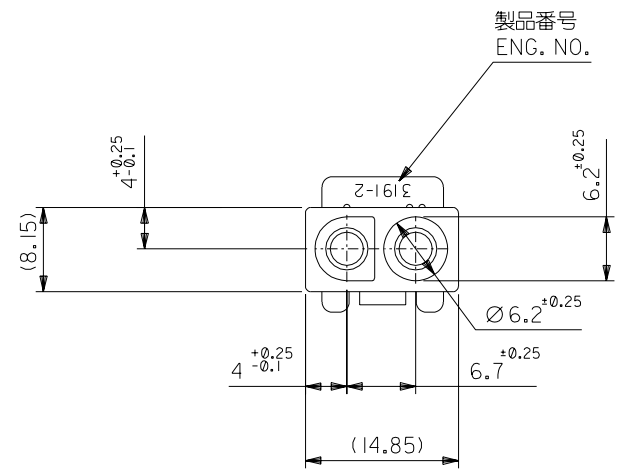
B

A

8 7 6 5 4 3 2 1



注記
NOTE
() 内寸法は参考値
DIMENSIONS IN () ARE REFERENCE



BLUE	39-01-9023	3191-02PI-BU	NYLON66	94V-2
NATURAL	39-03-6023	3191-02PI-201	NYLON66	94V-0
NATURAL	39-03-6022	3191-02PI	NYLON66	94V-2
COLOR	EDP. NO.	MATERIAL NO.	MATERIAL	UL

角度 ANGLE		±30			材料 MATERIAL 表参照 SEE CHART		molex MOLEX-JAPAN CO.,LTD. 日本モレックス株式会社			
30 以上 OVER		±0.3			仕上げ FINISH		REVISE ONLY ON CAD SYSTEM			
10 以上 OVER 30 未満 UNDER		±0.25	J	変更 REVISION (J2003-1294)	h.i S.A	適用電線範囲 WIRE RANGE		TITLE 名称		
10 未満 UNDER		±0.2	H	再作図 REDRAWN (JC70317)	h.i M.F	被覆外径 INS. RANGE		2 CKT. PLUG HS'G. (.093 DIA. TERMINAL)		
一般公差 GENERAL TOLERANCES			記号 LTR	変更内容 REVISION RECORD	DR. CHK.	日付 DATE	DRAWN BY '96/06/26 H.IIJIMA	CHK'D BY '02/11/07 S.AIHARA	DWG. NO.	REV
							APP'D BY '02/11/07 M.SASAO	尺度 SCALE 2 : 1	SD-3191-02PI-*	J

8 7 6 5 4 3 2 1

3191LS23