



Chipsmall Limited consists of a professional team with an average of over 10 year of expertise in the distribution of electronic components. Based in Hongkong, we have already established firm and mutual-benefit business relationships with customers from,Europe,America and south Asia,supplying obsolete and hard-to-find components to meet their specific needs.

With the principle of “Quality Parts,Customers Priority,Honest Operation,and Considerate Service”,our business mainly focus on the distribution of electronic components. Line cards we deal with include Microchip,ALPS,ROHM,Xilinx,Pulse,ON,Everlight and Freescale. Main products comprise IC,Modules,Potentiometer,IC Socket,Relay,Connector.Our parts cover such applications as commercial,industrial, and automotives areas.

We are looking forward to setting up business relationship with you and hope to provide you with the best service and solution. Let us make a better world for our industry!



## Contact us

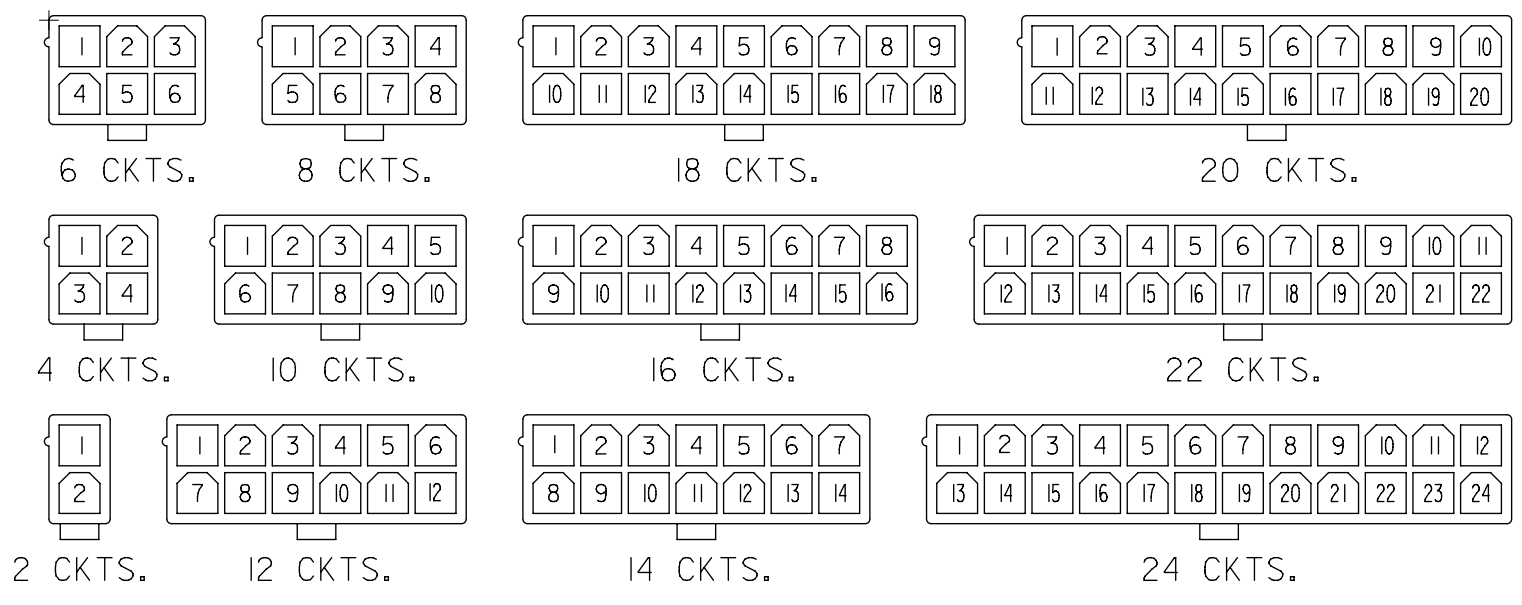
Tel: +86-755-8981 8866 Fax: +86-755-8427 6832

Email & Skype: info@chipsmall.com Web: www.chipsmall.com

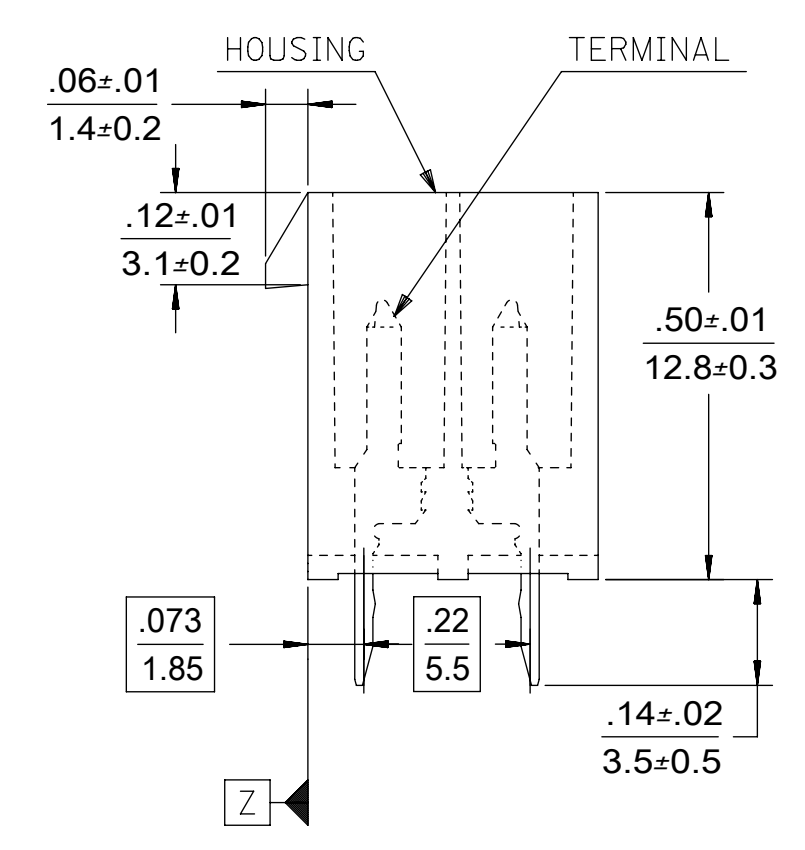
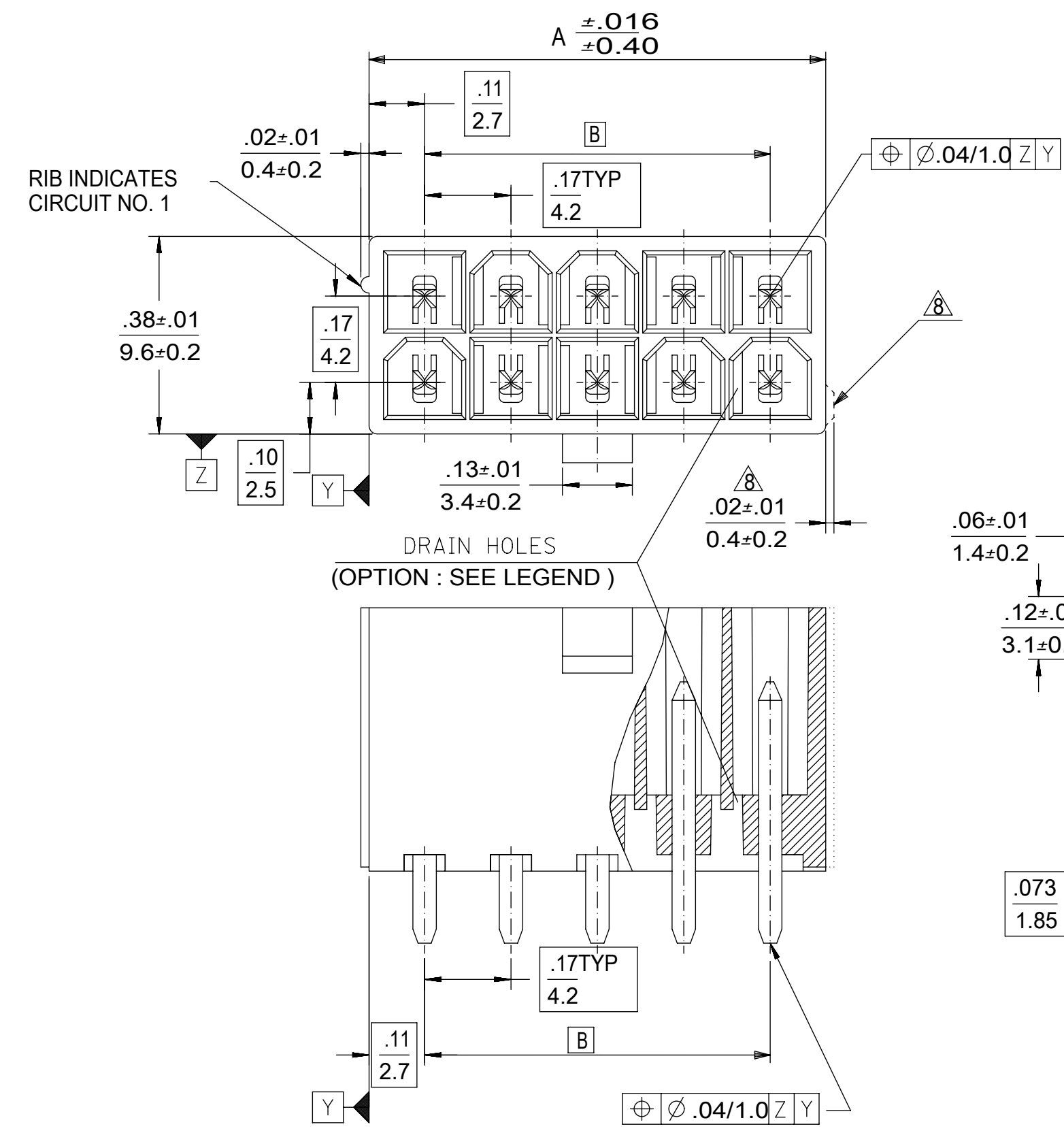
Address: A1208, Overseas Decoration Building, #122 Zhenhua RD., Futian, Shenzhen, China



CIRCUIT SIZE	DIM. "A"	DIM. "B"
2	.21 (5.4)	—
4	.38 (9.6)	.17 (4.2)
6	.54 (13.8)	.33 (8.4)
8	.71 (18.0)	.50 (12.6)
10	.87 (22.2)	.66 (16.8)
12	1.04 (26.4)	.83 (21.0)
14	1.20 (30.6)	.99 (25.2)
16	1.37 (34.8)	1.16 (29.4)
18	1.54 (39.0)	1.32 (33.6)
20	1.70 (43.2)	1.49 (37.8)
22	1.87 (47.4)	1.65 (42.0)
24	2.03 (51.6)	1.82 (46.2)

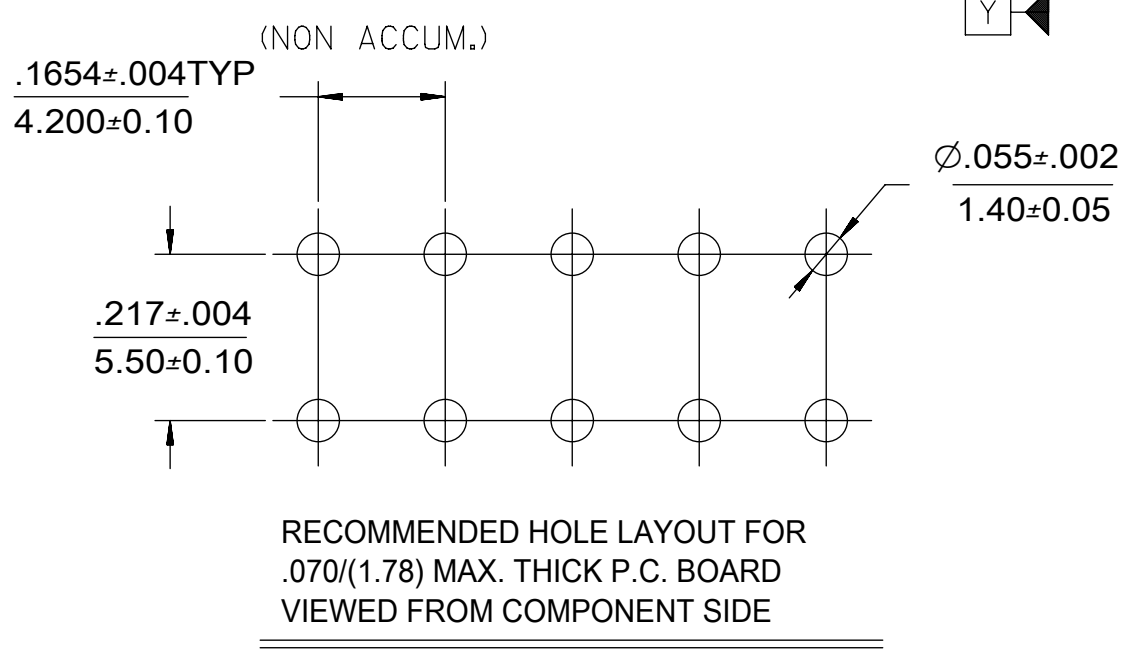
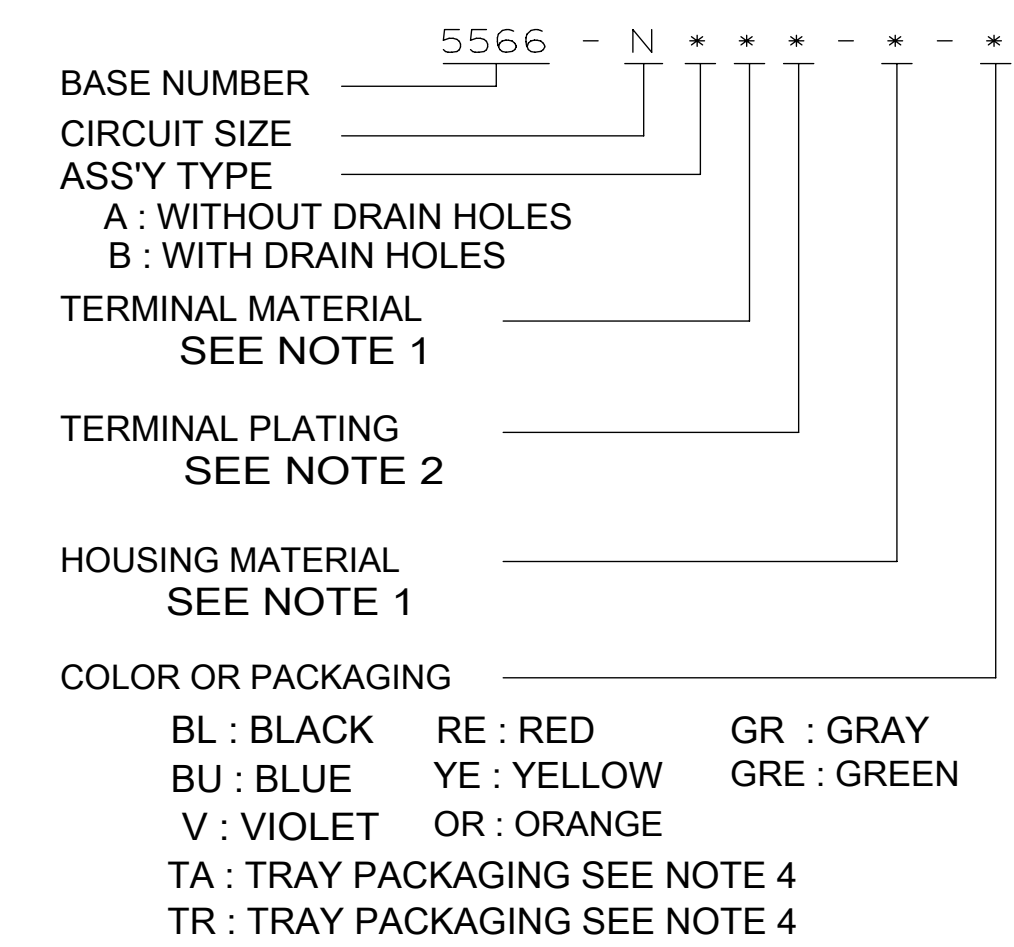


CIRCUIT SIZE LAYOUT



- NOTES:
- MATERIALS:  
HOUSING:  
"BLANK"=NYLON 6/6, UL94V-2, COLOR: NATURAL  
"210"=NYLON 6/6, UL94V-0, COLOR: NATURAL  
"400"=NYLON 6/6, UL94V-0, COLOR: BLACK  
TERMINALS:  
"BLANK" = BRASS  
"PB" = PHOSPHOR BRONZE
  - TERMINAL PLATING:  
"BLANK" = REFLOWED MATTE TIN 000035/(0.00090) MIN.  
OVER COPPER .000020/(0.00050) MIN. (BRASS) (PREPLATE)  
OR REFLOWED MATTE TIN .000035/(0.00090) MIN. (PHOSPHOR BRONZE) (PREPLATE)  
(FINISH IS BRIGHT IN APPEARANCE, THICKNESS AS APPLIED PRIOR TO REFLOW)  
"S"=.000100/(0.00254) MIN. BRIGHT TIN OVER  
.000050/(0.00127) MIN NICKEL  
"GS2"=.000015/(0.00038) MIN. SELECT GOLD AND  
.000100/(0.00254) MIN. SELECT MATTE TIN  
OVER .000050/(0.00127) MIN. NICKEL OVERALL  
"GS"=.000030/(0.00076) MIN. SELECT GOLD AND  
.000100/(0.00254) MIN. SELECT MATTE TIN  
OVER .000050/(0.00127) MIN. NICKEL OVERALL
  - PRODUCT SPECIFICATION: PS-5556-001
  - PACKAGING: "BLANK"= BULK PACKED,  
"TA"=TRAY PACK PER PK-5566-001, "TR"=TRAY PACK PER PK-5566
  - PART MATES WITH MINI-FIT JR. RECEPTACLE NO. 5557.
  - PART IS NOT DESIGNED FOR CURRENT SHARING.
  - PARTS ARE NOT DESIGNED TO BE MATED OR UN-MATED WHILE CIRCUITS ARE LIVE.
  - ANTI-SHINGLING RIB MAY OR MAY NOT APPEAR ON HOUSINGS.
  - PART CONFORMS TO CLASS "B" REQUIREMENTS OF COSMETIC SPECIFICATION PS-45499-002.
  - TEXT ON PART IS FOR REFERENCE ONLY. TEXT AND TEXT LOCATION MAY VARY DEPENDING ON PART NUMBER AND/OR TOOL.

LEGEND





QUALITY SYMBOLS		THIS DRAWING CONTAINS INFORMATION THAT IS PROPRIETARY TO MOLEX ELECTRONIC TECHNOLOGIES, LLC AND SHOULD NOT BE USED WITHOUT WRITTEN PERMISSION		DIMENSION UNITS		SCALE				
SYMBOL	VALUE	MM	INCH	IN/MM	SCALE	DRWN BY	DATE			
▽ = 0		4 PLACES	±	±	H.HIRAMOTO	1989/04/03	PRODUCT CUSTOMER DRAWING			
▽ = 0		3 PLACES	±	± 0.005	CHK'D BY	DATE				SERIES MATERIAL NUMBER CUSTOMER 5566 SEE TABLE GENERAL MARKET
▽ = 0		2 PLACES	±	0.13 ± 0.01	M.FUKUSHIMA	1994/04/20	DOCUMENT NUMBER DOC TYPE DOC PART SHEET NUMBER SD-5566-002 PSD 000 1 OF 5			
▽ = 0		1 PLACES	±	0.25 ±	APPR BY	DATE				EC NO: 107869 DRWN: CSLAFATER CHK'D: JBELL REV   APPR: FSMITH
▽ = 0		0 PLACES	±	±	FSMITH	2012/05/04	DRAFT WHERE APPLICABLE MUST REMAIN WITHIN DIMENSIONS			
▽ = 0		ANGULAR TOL = 0.5		DRAWING SIZE	THIRD ANGLE PROJECTION	C				
▽ = 0		GENERAL TOLERANCES (UNLESS SPECIFIED)		SCALE					M	
▽ = 0		4 PLACES ± ±		4:1		RELEASE STATUS RELEASE DATE				
▽ = 0		3 PLACES ± ± 0.005		H.HIRAMOTO 1989/04/03					12 11 10 9 8 7 6 5 4 3 2 1	
▽ = 0		2 PLACES ± 0.13 ± 0.01		M.FUKUSHIMA 1994/04/20		12 11 10 9 8 7 6 5 4 3 2 1				
▽ = 0		1 PLACES ± 0.25 ±		APPR BY DATE					12 11 10 9 8 7 6 5 4 3 2 1	
▽ = 0		0 PLACES ± ±		FSMITH 2012/05/04		12 11 10 9 8 7 6 5 4 3 2 1				



	12	11	10	9	8	7	6	5	4	3	2	1	
				39-30-9245	5566-24AGS2-210	39-29-6248	5566-24AGS-210				39-28-8240	5566-24A-210	24
				39-30-9225	5566-22AGS2-210	39-29-6228	5566-22AGS-210				39-28-8220	-22A-210	22
				39-30-9205	5566-20AGS2-210	39-29-6208	5566-20AGS-210				39-28-8200	-20A-210	20
				39-30-9185	5566-18AGS2-210	39-29-6188	5566-18AGS-210				39-28-8180	-18A-210	18
				39-30-9165	5566-16AGS2-210	39-29-6168	5566-16AGS-210	39-30-6162	5566-16AS-210		39-28-8160	-16A-210	16
				39-30-9145	5566-14AGS2-210	39-29-6148	5566-14AGS-210				39-28-8140	-14A-210	14
				39-30-9125	5566-12AGS2-210	39-29-6128	5566-12AGS-210				39-28-8120	-12A-210	12
				39-30-9105	5566-10AGS2-210	39-29-6108	5566-10AGS-210				39-28-8100	-10A-210	10
				39-30-9085	5566-08AGS2-210	39-29-6088	5566-08AGS-210	39-30-6082	5566-08AS-210		39-28-8080	-08A-210	8
				39-30-9065	5566-06AGS2-210	39-29-6068	5566-06AGS-210	39-30-6062	5566-06AS-210		39-28-8060	-06A-210	6
				39-30-9045	5566-04AGS2-210	39-29-6048	5566-04AGS-210	39-30-6042	5566-04AS-210		39-28-8040	-04A-210	4
				39-30-9025	5566-02AGS2-210	39-29-6028	5566-02AGS-210				39-28-8020	5566-02A-210	2
	EDP NO.	ENG. NO.	EDP NO.	ENG. NO.	EDP NO.	ENG. NO.	EDP NO.	ENG. NO.	EDP NO.	ENG. NO.	EDP NO.	ENG. NO.	CKT. SIZE
	5566-NAPB-210		5566-NAGS2-210		5566-NAGS-210		5566-NAS-210		5566-NA-210				
	39-29-5246	5566-24APB	39-30-9244	5566-24AGS2	39-29-0243	5566-24AGS					39-28-1243	5566-24A	24
			39-30-9224	5566-22AGS2	39-29-0223	5566-22AGS					39-28-1223	5566-22A	22
			39-30-9204	5566-20AGS2	39-29-0203	5566-20AGS					39-28-1203	5566-20A	20
			39-30-9184	5566-18AGS2	39-29-0183	5566-18AGS					39-28-1183	5566-18A	18
			39-30-9164	5566-16AGS2	39-29-0163	5566-16AGS					39-28-1163	5566-16A	16
	39-29-5146	5566-14APB	39-30-9144	5566-14AGS2	39-29-0143	5566-14AGS					39-28-1143	5566-14A	14
			39-30-9124	5566-12AGS2	39-29-0123	5566-12AGS					39-28-1123	5566-12A	12
	39-29-5106	5566-10APB	39-30-9104	5566-10AGS2	39-29-0103	5566-10AGS	39-30-6101	5566-10AS			39-28-1103	5566-10A	10
	39-29-5086	5566-08APB	39-30-9084	5566-08AGS2	39-29-0083	5566-08AGS	39-30-6081	5566-08AS			39-28-1083	5566-08A	8
	39-29-5066	5566-06APB	39-30-9064	5566-06AGS2	39-29-0063	5566-06AGS					39-28-1063	5566-06A	6
	39-29-5046	5566-04APB	39-30-9044	5566-04AGS2	39-29-0043	5566-04AGS					39-28-1043	5566-04A	4
	39-29-5026	5566-02APB	39-30-9024	5566-02AGS2	39-29-0023	5566-02AGS					39-28-1023	5566-02A	2
	EDP NO.	ENG. NO.	EDP NO.	ENG. NO.	EDP NO.	ENG. NO.	EDP NO.	ENG. NO.	EDP NO.	ENG. NO.	EDP NO.	ENG. NO.	CKT. SIZE
	5566-NAPB		5566-NAGS2		5566-NAGS		5566-NAS		5566-NA				

PARTS WITH OUT DRAIN HOLES

THIS DRAWING CONTAINS INFORMATION THAT IS PROPRIETARY TO MOLEX ELECTRONIC TECHNOLOGIES, LLC AND SHOULD NOT BE USED WITHOUT WRITTEN PERMISSION												
QUALITY SYMBOLS	UPDATE NOTE 2 EC NO: 107869 DRWN: CSLAFTER CHKD: JBELL REV: APPR: FSMITH	GENERAL TOLERANCES (UNLESS SPECIFIED)		DIMENSION UNITS		SCALE	 MINI FIT JR VERTICAL HEADER ASSEMBLIES WITHOUT PEGS PRODUCT CUSTOMER DRAWING					
		MM	INCH	IN/MM	1:1							
▽ = 0	EC NO: 107869 DRWN: CSLAFTER CHKD: JBELL REV: APPR: FSMITH	4 PLACES ±	±	DRWN BY	DATE	H.HIRAMOTO 1989/04/03 M.FUKUSHIMA 1994/04/20 FSMITH 2012/05/04						
▽ = 0		3 PLACES ±	± 0.005	CHK'D BY	DATE							
▽ = 0		2 PLACES ±	± 0.13 ± 0.01	APPR BY	DATE							
▽ = 0		1 PLACES ±	± 0.25 ±	DRAWING SIZE		THIRD ANGLE PROJECTION		SERIES: 5566 MATERIAL NUMBER: SEE TABLE CUSTOMER: GENERAL MARKET DOCUMENT NUMBER: SD-5566-002 DOC TYPE: PSD DOC PART: 000 SHEET NUMBER: 2 OF 5				
▽ = 0		0 PLACES ±	±	C								
▽ = 0			ANGULAR TOL = 0.5		DRAFT WHERE APPLICABLE MUST REMAIN WITHIN DIMENSIONS							



12	11	10	9	8	7	6	5	4	3	2	1
											24
											22
											20
											18
							39-31-0168	5566-16BGS-210	39-31-0160	5566-16B-210	16
							39-31-0148	5566-14BGS-210	39-31-0140	5566-14B-210	14
							39-31-0128	5566-12BGS-210	39-31-0120	5566-12B-210	12
							39-31-0108	5566-10BGS-210	39-31-0100	5566-10B-210	10
							39-31-0088	5566-08BGS-210	39-31-0080	5566-08B-210	8
							39-31-0068	5566-06BGS-210	39-31-0060	5566-06B-210	6
							39-31-0048	5566-04BGS-210	39-31-0040	5566-04B-210	4
							39-31-0028	5566-02BGS-210	39-31-0020	5566-02B-210	2
							EDP NO.	ENG. NO.	EDP NO.	ENG. NO.	CKT. SIZE
							5566-NBGS-210		5566-NB-210		

											24	
											22	
							39-31-0207	5566-20BGS	39-29-3206	5566-20B	20	
											18	
							<b>39-31-0167</b>	5566-16BGS	39-29-3166	5566-16B	16	
							39-31-0147	5566-14BGS	39-29-3146	5566-14B	14	
									39-29-3126	5566-12B	12	
							39-31-0107	5566-10BGS	39-29-3106	5566-10B	10	
							39-31-0087	5566-08BGS	39-29-3086	5566-08B	8	
							39-31-0067	5566-06BGS	39-29-3066	5566-06B	6	
						<b>39-30-9046</b>	<b>5566-04BGS2</b>	39-31-0047	5566-04BGS	39-29-3046	5566-04B	4
								39-31-0027	5566-02BGS	39-29-3026	5566-02B	2
							EDP NO.	ENG. NO.	EDP NO.	ENG. NO.	CKT. SIZE	
							5566-NBGS2		5566-NBGS		5566-NB	

PENDING OBSOLETE

PARTS WITH DRAIN HOLES

-NOT RECOMENDED FOR NEW APPLICATIONS

QUALITY SYMBOLS		THIS DRAWING CONTAINS INFORMATION THAT IS PROPRIETARY TO MOLEX ELECTRONIC TECHNOLOGIES, LLC AND SHOULD NOT BE USED WITHOUT WRITTEN PERMISSION															
UPDATE NOTE 2 EC NO: 107869 DRWN: CSLAFTER CHKD: JBELL REV APPR: FSMITH	▽ = 0	GENERAL TOLERANCES (UNLESS SPECIFIED) DIMENSION UNITS SCALE DRWN BY DATE CHK'D BY DATE APPR BY DATE DRAWING SIZE THIRD ANGLE PROJECTION ANGULAR TOL = 0.5 DRAFT WHERE APPLICABLE MUST REMAIN WITHIN DIMENSIONS	MM		INCH		IN/MM		1:1		 MINI FIT JR VERTICAL HEADER ASSEMBLIES WITHOUT PEGS PRODUCT CUSTOMER DRAWING						
	▽ = 0		4 PLACES	±	±	H.HIRAMOTO		1989/04/03									
	▽ = 0		3 PLACES	±	± 0.005	M.FUKUSHIMA		1994/04/20									
	▽ = 0		2 PLACES	± 0.13	± 0.01	FSMITH		2012/05/04									
	▽ = 0		1 PLACES	± 0.25	±	C											
	▽ = 0		0 PLACES	±	±	5566		SEE TABLE		GENERAL MARKET							
▽ = 0	□ = 0	DOCUMENT NUMBER		SD-5566-002		DOC TYPE		PSD		DOC PART		000		SHEET NUMBER		3 OF 5	

COLORED PART NUMBERS

Table with 7 columns: EDP. NO., ENG. NO., EDP. NO., ENG. NO., EDP. NO., ENG. NO., CKT. SIZE. Rows include part numbers like 46999-0085, 5566-18AS-RE, 5566-NAS-RE, 5566-NAS-OR, 5566-NAS-V, 46999-0089, 5566-08AS-OR, 46999-0091, 5566-08AS-GRE, 5566-NAS-GRE, 5566-NA-210-YE, 5566-NA-400, 39-33-3106, 5566-10A-RE, 39-33-3104, 5566-10A-BU, 39-33-3087, 5566-08A-YE, 39-33-3086, 5566-08A-RE, 39-33-3067, 5566-06A-YE, 39-33-3066, 5566-06A-RE, 39-33-3064, 5566-06A-BU, 39-33-3046, 5566-04A-RE, 39-33-3044, 5566-04A-BU, 39-33-3043, 5566-04A-BL, 39-33-3027, 5566-02A-YE, 39-33-3026, 5566-02A-RE, 39-33-3024, 5566-02A-BU, 39-33-3023, 5566-02A-BL, 5566-NA-GR, 5566-NA-YE, 5566-NA-RE, 5566-NA-BU, 5566-NA-BL.

Table with 4 columns: EDP. NO., ENG. NO., EDP. NO., ENG. NO., CKT. SIZE. Row 1: 39-33-3145, 5566-14A-GR, 39-33-3143, 5566-14A-BL, 14.

PARTS WITHOUT DRAIN HOLES

Technical drawing header containing quality symbols, update note 2, general tolerances, dimension units (IN/MM, 1:1), scale, drawing info (H.HIRAMOTO, 1989/04/03), M.FUKUSHIMA, 1994/04/20, FSMITH, 2012/05/04, dimension C, and MoLEX logo with product name MINI FIT JR VERTICAL HEADER ASSEMBLIES WITHOUT PEGS.

TRAY PACKED PART NUMBERS  
SEE SD-5566-222 FOR ADDITIONAL  
TRAY PACKED PART #'S

PARTS WITHOUT DRAIN HOLES					24
					22
					20
			39-53-9188	5566-18A-TA	18
					16
					14
					12
					10
					8
					6
				4	
				2	
	EDP NO.	ENG. NO.	EDP NO.	ENG. NO.	CKT. SIZE
	5566-NAGS2-BL-TA		5566-NA-TA		

<b>QUALITY SYMBOLS</b> 		THIS DRAWING CONTAINS INFORMATION THAT IS PROPRIETARY TO MOLEX ELECTRONIC TECHNOLOGIES, LLC AND SHOULD NOT BE USED WITHOUT WRITTEN PERMISSION		DIMENSION UNITS <b>IN/MM</b>		SCALE <b>1:1</b>																						
UPDATE NOTE 2 EC NO: 107869 DRWN: CSLAFTER CHKD: JBELL REV   APPR: FSMITH		GENERAL TOLERANCES (UNLESS SPECIFIED) <table border="1"> <tr><th></th><th>MM</th><th>INCH</th></tr> <tr><td>4 PLACES</td><td>±</td><td>±</td></tr> <tr><td>3 PLACES</td><td>±</td><td>± 0.005</td></tr> <tr><td>2 PLACES</td><td>± 0.13</td><td>± 0.01</td></tr> <tr><td>1 PLACES</td><td>± 0.25</td><td>±</td></tr> <tr><td>0 PLACES</td><td>±</td><td>±</td></tr> </table>			MM	INCH	4 PLACES				±	±	3 PLACES	±	± 0.005	2 PLACES	± 0.13	± 0.01	1 PLACES	± 0.25	±	0 PLACES	±	±	DRWN BY <b>H.HIRAMOTO</b>		DATE <b>1989/04/03</b>	
	MM	INCH																										
4 PLACES	±	±																										
3 PLACES	±	± 0.005																										
2 PLACES	± 0.13	± 0.01																										
1 PLACES	± 0.25	±																										
0 PLACES	±	±																										
EC NO: 107869 DRWN: CSLAFTER CHKD: JBELL REV   APPR: FSMITH		ANGULAR TOL = 0.5		CHK'D BY <b>M.FUKUSHIMA</b>		DATE <b>1994/04/20</b>		PRODUCT CUSTOMER DRAWING																				
EC NO: 107869 DRWN: CSLAFTER CHKD: JBELL REV   APPR: FSMITH		DRAFT WHERE APPLICABLE MUST REMAIN WITHIN DIMENSIONS		APPR BY <b>FSMITH</b>		DATE <b>2012/05/04</b>					SERIES: 5566 MATERIAL NUMBER: SEE TABLE CUSTOMER: GENERAL MARKET																	
EC NO: 107869 DRWN: CSLAFTER CHKD: JBELL REV   APPR: FSMITH		DRAFT WHERE APPLICABLE MUST REMAIN WITHIN DIMENSIONS		DRAWING SIZE <b>C</b>		THIRD ANGLE PROJECTION 		DOCUMENT NUMBER: SD-5566-002 DOC TYPE: PSD DOC PART: 000 SHEET NUMBER: 5 OF 5																				