



Chipsmall Limited consists of a professional team with an average of over 10 year of expertise in the distribution of electronic components. Based in Hongkong, we have already established firm and mutual-benefit business relationships with customers from,Europe,America and south Asia,supplying obsolete and hard-to-find components to meet their specific needs.

With the principle of “Quality Parts,Customers Priority,Honest Operation,and Considerate Service”,our business mainly focus on the distribution of electronic components. Line cards we deal with include Microchip,ALPS,ROHM,Xilinx,Pulse,ON,Everlight and Freescale. Main products comprise IC,Modules,Potentiometer,IC Socket,Relay,Connector.Our parts cover such applications as commercial,industrial, and automotives areas.

We are looking forward to setting up business relationship with you and hope to provide you with the best service and solution. Let us make a better world for our industry!



Contact us

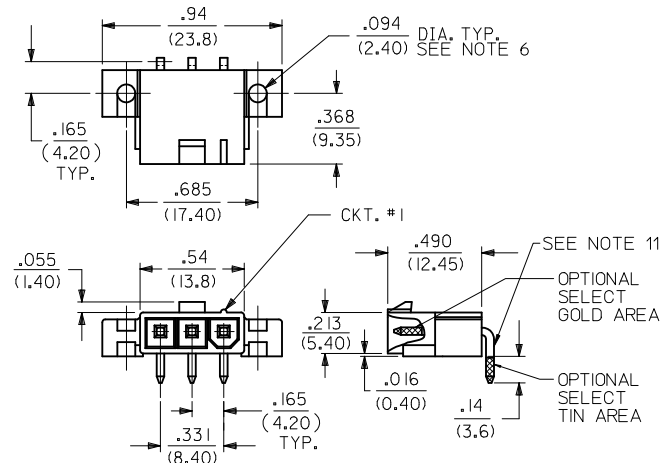
Tel: +86-755-8981 8866 Fax: +86-755-8427 6832

Email & Skype: info@chipsmall.com Web: www.chipsmall.com

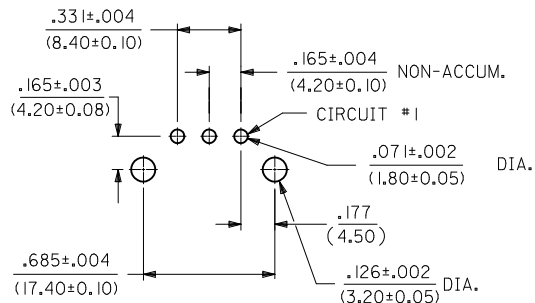
Address: A1208, Overseas Decoration Building, #122 Zhenhua RD., Futian, Shenzhen, China



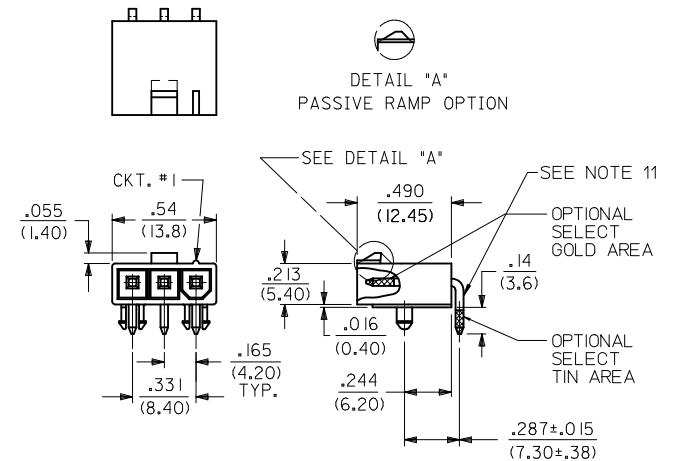
PART NUMBER	ENGINEERING NUMBER	MOUNT OPTION	PLATING	MAT'L.
39-31-1032	5569-03A4-BL	4	BLANK	BL
39-30-3031	5569-03A3	3	BLANK	BLANK
39-30-4039	5569-03A3GS2	3	15 GOLD	
39-30-4037	5569-03A3GS	3	30 GOLD	
39-30-3033	5569-03A3G	3	30 GOLD	
39-30-3035	5569-03A4	4	BLANK	
39-30-4033	5569-03A4GS2	4	15 GOLD	
39-30-4031	5569-03A4GS	4	30 GOLD	
39-30-3037	5569-03A4G	4	30 GOLD	
39-30-6039	5569-03A3S	3	TIN/NICKEL	
39-30-7031	5569-03A4S	4	TIN/NICKEL	BLANK
39-30-3032	5569-03A3-210	3	BLANK	210
39-30-5030	5569-03A3GS2-210	3	15 GOLD	
39-30-4038	5569-03A3GS-210	3	30 GOLD	
39-30-3034	5569-03A3G-210	3	30 GOLD	
39-30-3036	5569-03A4-210	4	BLANK	
39-30-4034	5569-03A4GS2-210	4	15 GOLD	
39-30-4032	5569-03A4GS-210	4	30 GOLD	
39-30-4030	5569-03A4G2-210	4	15 GOLD	
39-30-3038	5569-03A4G-210	4	30 GOLD	
39-30-7030	5569-03A3S-210	3	TIN/NICKEL	
39-30-7032	5569-03A4S-210	4	TIN/NICKEL	
50-34-8577	5569-03A4MS-210	4	MATTE TIN	210
NO E.D.P.	5569-03A5GS2	5	15 GOLD	BLANK
NO E.D.P.	5569-03A5GS	5	30 GOLD	BLANK
NO E.D.P.	5569-03A5MS	5	TIN/NICKEL	BLANK
NO E.D.P.	5569-03A5GS2-210	5	15 GOLD	210
NO E.D.P.	5569-03A5GS-210	5	30 GOLD	210
39-34-3037	5569-03A5MS-210	5	TIN/NICKEL	210



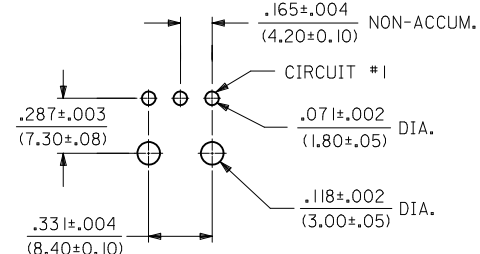
RIGHT ANGLE HEADER
(SCREW MOUNT)



RECOMMENDED HOLE LAYOUT FOR
.070/(1.78) MAX. THICK P.C. BOARD
VIEWED FROM COMPONENT SIDE



RIGHT ANGLE HEADER
(PEG MOUNT)



RECOMMENDED HOLE LAYOUT FOR
.070/(1.78) MAX. THICK P.C. BOARD
VIEWED FROM COMPONENT SIDE

NOTES:

1) HOUSING MATERIAL:

"BLANK" = NYLON 6/6, U.L. 94V-2, COLOR: NATURAL.
210 = NYLON 6/6, U.L. 94V-0, COLOR: NATURAL.
BL = NYLON 6/6, U.L. 94V-2, COLOR: BLACK.
TERMINAL MATERIAL: BRASS, ALLOY

2) TERMINAL PLATING:

"BLANK" S, MS - .000100/(0.00254) MIN. MATTE TIN OVER
.000050/(0.00127) MIN. NICKEL
G, GS - .000030/(.00076) MIN. SELECT GOLD, .000100/(.00254)
MIN. SELECT MATTE TIN OVER .000050/(.00127) MIN.
NICKEL OVERALL.
G2, GS2 - .000015/(.00038) MIN. SELECT GOLD, .000100/(.0254)
MIN. SELECT MATTE TIN OVER .000050/(.00127) MIN.
NICKEL OVERALL.

3) PRODUCT SPECIFICATION: PS-5556-001

4) PACKAGING SPECIFICATION: PK-5569-002

5) PART MATES WITH MOLEX RECEPTACLE #5557.

6) PART IS DESIGNED FOR USE WITH 4 - 40 OR M3 SCREWS.

7) DISCOLORATION IN THE BANDOLIER CARRIER AREA OF THE PIN IS INHERENT TO THE PLATING PROCESS AND IS DUE TO THE MASKING EFFECT OF THE CARRIER. THIS DISCOLORATION IS IN A NON-FUNCTIONAL AREA OF THE PIN AND WILL NOT AFFECT THE PERFORMANCE OF THE HEADER ASSEMBLY.

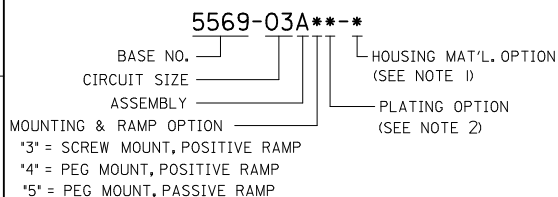
8) CONNECTORS ARE NOT BE MATED OR UNMATED WHILE CIRCUITS ARE LIVE.

9) PARTS ARE NOT DESIGNED FOR CURRENT SHARING.

10) PART CONFORMS TO CLASS "B" REQUIREMENTS OF "COSMETIC SPECIFICATION PS-45499-002."

11) FORMING MARKS ON PINS ARE ACCEPTABLE

LEGEND



CHANGE PLATING EC NO: UCP2012-0155 DRAWN: NGUYEN 2011/07/22 CHKD: JIBELL 2011/07/22 APPR: FSM/TH 2011/10/28	QUALITY SYMBOLS ▽=0 ▽=0 ▽=0	GENERAL TOLERANCES (UNLESS SPECIFIED)		DIMENSION STYLE IN/MM		SCALE 1:1	DESIGN UNITS METRIC	THIRD ANGLE PROJECTION
		mm	INCH	DRAWN BY GEP	DATE 9/20/90	TITLE RIGHT ANGLE HEADER ASSY, 3 CKT., SINGLE ROW, MINI-FIT JR. SERIES		
		4 PLACES ± ---	± ---	CHECKED BY RJF <td>DATE 9/20/90 <td colspan="2">MOLEX INCORPORATED <td></td> </td></td>	DATE 9/20/90 <td colspan="2">MOLEX INCORPORATED <td></td> </td>	MOLEX INCORPORATED <td></td>		
		3 PLACES ± ---	± .010	APPROVED BY RAS <td>DATE 9/20/90 <td colspan="2">SDA-5569-03A** <td>SHEET NO. 1 OF 1</td> </td></td>	DATE 9/20/90 <td colspan="2">SDA-5569-03A** <td>SHEET NO. 1 OF 1</td> </td>	SDA-5569-03A** <td>SHEET NO. 1 OF 1</td>		SHEET NO. 1 OF 1
		2 PLACES ± 0.25	± .015	MATERIAL NO. SEE CHART <td colspan="2">DOCUMENT NO. <td></td> </td>		DOCUMENT NO. <td></td>		
		1 PLACE ± 0.38	± ---	SIZE C		THIS DRAWING CONTAINS INFORMATION THAT IS PROPRIETARY TO MOLEX INCORPORATED AND SHOULD NOT BE USED WITHOUT WRITTEN PERMISSION		
DRAFT WHERE APPLICABLE MUST REMAIN WITHIN DIMENSIONS		ANGULAR ± 3°						