



Chipsmall Limited consists of a professional team with an average of over 10 year of expertise in the distribution of electronic components. Based in Hongkong, we have already established firm and mutual-benefit business relationships with customers from,Europe,America and south Asia,supplying obsolete and hard-to-find components to meet their specific needs.

With the principle of “Quality Parts,Customers Priority,Honest Operation,and Considerate Service”,our business mainly focus on the distribution of electronic components. Line cards we deal with include Microchip,ALPS,ROHM,Xilinx,Pulse,ON,Everlight and Freescale. Main products comprise IC,Modules,Potentiometer,IC Socket,Relay,Connector.Our parts cover such applications as commercial,industrial, and automotives areas.

We are looking forward to setting up business relationship with you and hope to provide you with the best service and solution. Let us make a better world for our industry!



## Contact us

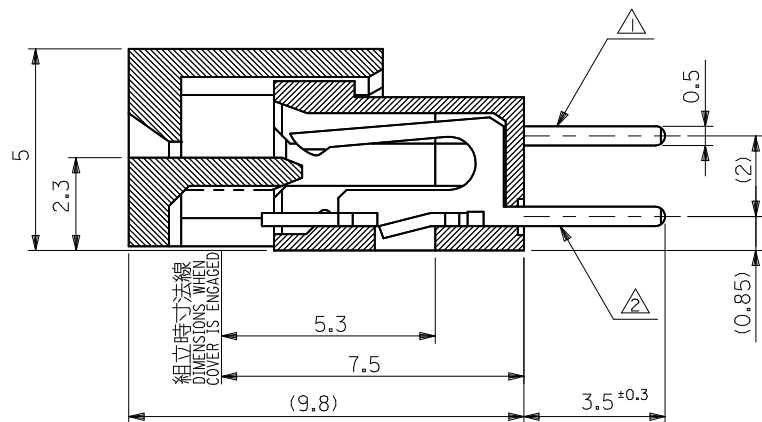
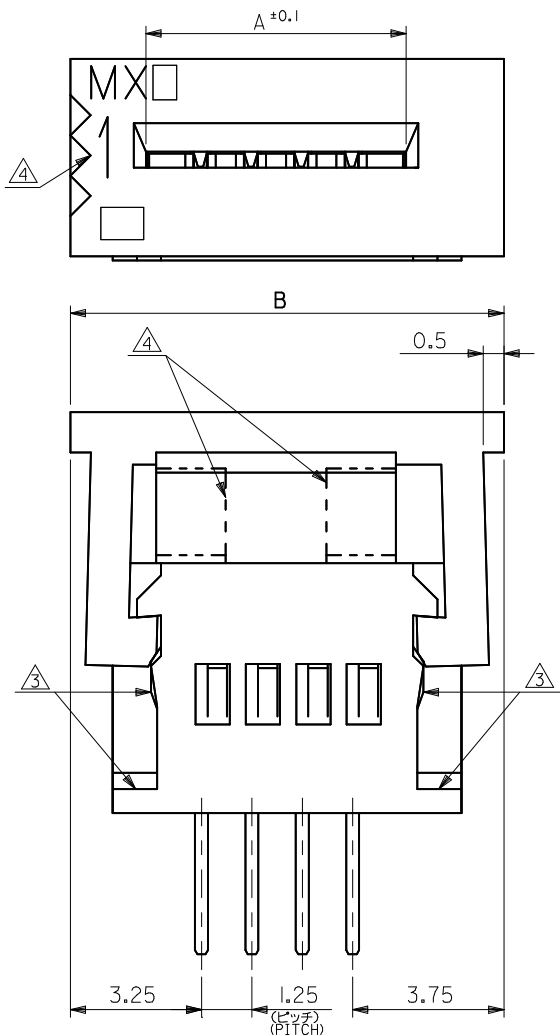
Tel: +86-755-8981 8866 Fax: +86-755-8427 6832

Email & Skype: info@chipsmall.com Web: www.chipsmall.com

Address: A1208, Overseas Decoration Building, #122 Zhenhua RD., Futian, Shenzhen, China



10 9 8 7 6 5 4 3 2 1

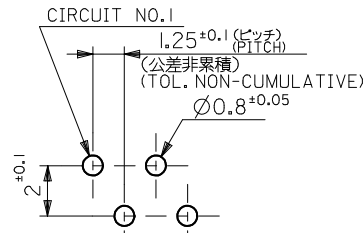


48.25	43.95	39-53-2345	5597 -34CPB7F	34
45.75	41.45	↑ -2325	↑ -32CPB7F	32
44.5	40.2	-2315	-31CPB7F	31
43.25	38.95	-2305	-30CPB7F	30
42	37.7	-2295	-29CPB7F	29
40.75	36.45	-2285	-28CPB7F	28
39.5	35.2	-2275	-27CPB7F	27
38.25	33.95	-2265	-26CPB7F	26
37	32.7	-2255	-25CPB7F	25
35.75	31.45	-2245	-24CPB7F	24
34.5	30.2	-2235	-23CPB7F	23
33.25	28.95	-2225	-22CPB7F	22
32	27.7	-2215	-21CPB7F	21
30.75	26.45	-2205	-20CPB7F	20
29.5	25.2	-2195	-19CPB7F	19
28.25	23.95	-2185	-18CPB7F	18
27	22.7	-2175	-17CPB7F	17
25.75	21.45	-2165	-16CPB7F	16
24.5	20.2	-2155	-15CPB7F	15
23.25	18.95	-2145	-14CPB7F	14
22	17.7	-2135	-13CPB7F	13
20.75	16.45	-2125	-12CPB7F	12
19.5	15.2	-2115	-11CPB7F	11
18.25	13.95	-2105	-10CPB7F	10
17	12.7	-2095	-09CPB7F	9
15.75	11.45	-2085	-08CPB7F	8
14.5	10.2	-2075	-07CPB7F	7
13.25	8.95	-2065	-06CPB7F	6
12	7.7	-2055	-05CPB7F	5
10.75	6.45	↓ -2045	↓ -04CPB7F	4
9.5	5.2	39-53-2035	5597-03CPB7F	3

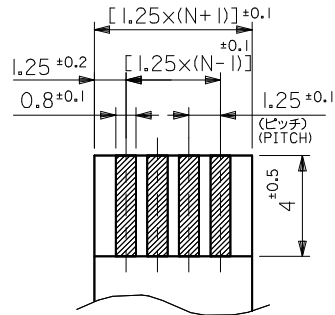
MODEL NO. 5597-NCPB7F B A EDP.NO. ENG. NO. 極数

REVISED EC NO: J2016-0714 DRWN: YIMIZUNO02 2016/01/12 CHKDK: TAKAHASHI 2016/01/12 APPR: KUSUHARA01 2016/01/20	GENERAL TOLERANCES (UNLESS SPECIFIED)			DIMENSION STYLE MM ONLY		SCALE ---	DESIGN UNITS METRIC	THIRD ANGLE PROJECTION
	0.25 UNDER	UNDER	±0.03	DRAWN BY	DATE	TITLE		
	0.25 OVER	0.5 UNDER	±0.05	YWADA	04/02/19	1.25 FPC CONN ASSY ZIF		
	0.5 OVER	1.0 UNDER	±0.1	CHECKED BY	DATE	-LEAD FREE-		
	1.0 OVER	30 UNDER	±0.2	MSASAO	04/02/19	<b>molex</b>		
	30 OVER		±0.3	APPROVED BY	DATE	SD-5597-007		
	ANGULAR	±3 °	MSASAO	04/02/19	MATERIAL NO.		DOCUMENT NO.	SHEET NO.
	DRAFT WHERE APPLICABLE MUST REMAIN WITHIN DIMENSIONS			SEE CHART		SD-5597-007		1 OF 2
				SIZE A3	THIS DRAWING CONTAINS INFORMATION THAT IS PROPRIETARY TO MOLEX ELECTRONIC TECHNOLOGIES, LLC AND SHOULD NOT BE USED WITHOUT WRITTEN PERMISSION			

9 8 7 6 5 4 3 2 1



基板取付穴推奨寸法 (t=1.6)  
RECOMMENDED P.C. BOARD  
HOLE DIMENSION (SCALE 5:1)



適合FPC/FPC推奨寸法  
RECOMMENDED FPC/FPC  
厚さ THK : 0.3 ± 0.05 (SCALE 5:1)

FPCについて:

打抜き方向は導体側から補強板側を推奨いたします。  
補強フィルム材質はポリイミドを推奨致します。  
接着剤は熱硬化接着剤を推奨致します。

ABOUT FPC:

RECOMMENDED PUNCHER DIRECTION :  
FROM CONDUCTOR SIDE TO STIFFENER BOARD SIDE.  
RECOMMENDED MATERIAL:  
STIFFENER FILM : POLYIMIDE  
BONDING AGENT : THERMOSETTING BONDING AGENT

注記 NOTES

- ① MX J側を基準に奇数番目の極におけるソルダーテール。  
SOLDER TAIL OF ODD CKTS, MXJ MARK AS BASIC.
- ② MX J側を基準に偶数番目の極におけるソルダーテール。  
SOLDER TAIL OF EVEN CKTS, MXJ MARK AS BASIC.
- ③ 3極~10極に適用。APPLY FOR 3-10 CKTS.
- ④ 3極~19極に適用。APPLY FOR 3-19 CKTS.
5. ( ) 内寸法は、参考値。  
( ) DIMENSION IS FOR REFERENCE.
6. ソルダーテールは、先端が取付推奨穴にガイドされること。  
ガイドされること。  
SOLDER TAILS MAY BE CHECKED BY INSERTION  
FOR RECOMMENDED PCB BOARD HOLES.

7. 使用材料  
MATERIAL

ハウジング、アクチュエーター: PBTP, UL94V-0  
HOUSING, ACTUATOR: PBTP, UL94V-0  
ターミナル: リン青銅 (t=0.3)  
PHOSPHOR BRONZE (t=0.3)  
錫ビスマスメッキ 1.0 μm MIN.  
TIN-BISMUTH 1.0 MICROMETER MIN.  
ニッケル下地 1.0 μm MIN.  
NICKEL 1.0 MICROMETER MIN.

8. 本製品は5597-NCPBの鉛フリー品である。  
THIS PRODUCT IS LEAD FREE OF 5597-NCPB.

REVISED EC NO: J2016-0714 DRWN: YMIZUNO02 2016/01/12 CHKD: K. TAKAHASHI 2016/01/12 APPR: KUSUHARA01 2016/01/20	GENERAL TOLERANCES (UNLESS SPECIFIED)			DIMENSION STYLE MM ONLY		SCALE ---	DESIGN UNITS METRIC	THIRD ANGLE PROJECTION			
	0.25 UNDER	UNDER	± 0.03	DRAWN BY	DATE	TITLE					
	0.25 OVER	0.5 UNDER	± 0.05	YWADA	04/02/19	1.25 FPC CONN ASSY ZIF					
	0.5 OVER	1.0 UNDER	± 0.1	CHECKED BY	DATE	-LEAD FREE-					
	1.0 OVER	10 UNDER	± 0.2	MSASAO	04/02/19						
	10 OVER	30 UNDER	± 0.25	APPROVED BY	DATE	molex					
30 OVER		± 0.3	MSASAO	04/02/19							
ANGULAR	± 3 °		MATERIAL NO.	DOCUMENT NO.	SHEET NO.						
	DRAFT WHERE APPLICABLE MUST REMAIN WITHIN DIMENSIONS			SIZE A3	SEE CHART					SD-5597-007	2 OF 2
THIS DRAWING CONTAINS INFORMATION THAT IS PROPRIETARY TO MOLEX ELECTRONIC TECHNOLOGIES, LLC AND SHOULD NOT BE USED WITHOUT WRITTEN PERMISSION											