



Chipsmall Limited consists of a professional team with an average of over 10 year of expertise in the distribution of electronic components. Based in Hongkong, we have already established firm and mutual-benefit business relationships with customers from,Europe,America and south Asia,supplying obsolete and hard-to-find components to meet their specific needs.

With the principle of "Quality Parts,Customers Priority,Honest Operation,and Considerate Service",our business mainly focus on the distribution of electronic components. Line cards we deal with include Microchip,ALPS,ROHM,Xilinx,Pulse,ON,Everlight and Freescale. Main products comprise IC,Modules,Potentiometer,IC Socket,Relay,Connector.Our parts cover such applications as commercial,industrial, and automotives areas.

We are looking forward to setting up business relationship with you and hope to provide you with the best service and solution. Let us make a better world for our industry!



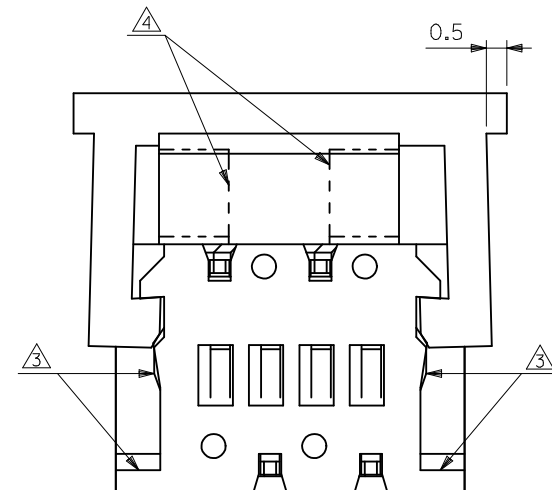
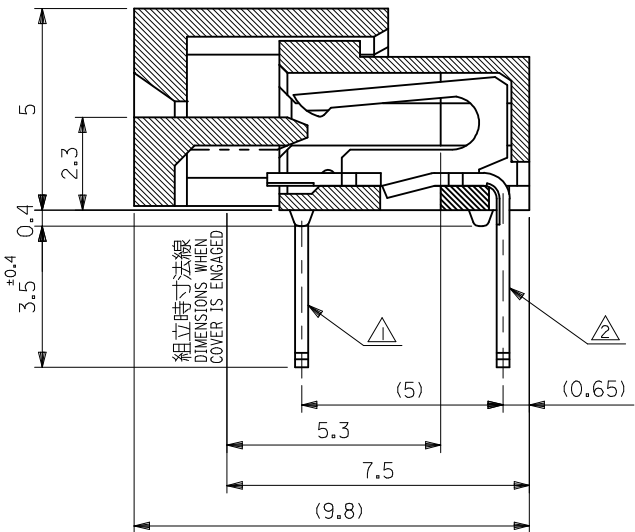
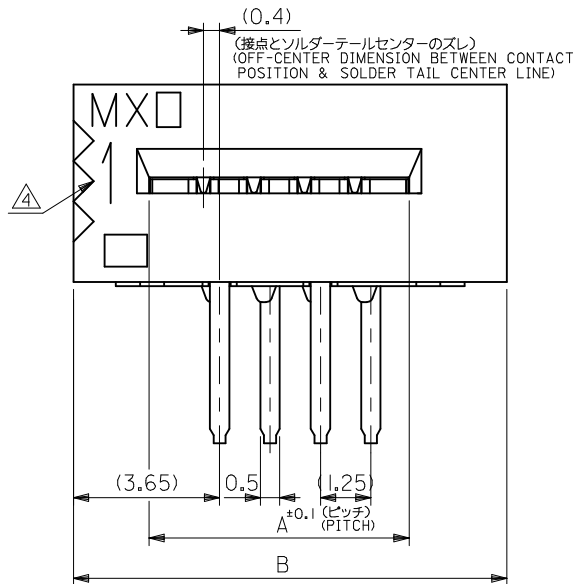
Contact us

Tel: +86-755-8981 8866 Fax: +86-755-8427 6832

Email & Skype: info@chipsmall.com Web: www.chipsmall.com

Address: A1208, Overseas Decoration Building, #122 Zhenhua RD., Futian, Shenzhen, China





注記 NOTES

- △ MX J側を基準に奇数番目の極におけるソルダーテール。
SOLDER TAIL OF ODD CKTS, MXJ MARK AS BASIC.
- △ MX J側を基準に偶数番目の極におけるソルダーテール。
SOLDER TAIL OF EVEN CKTS, MXJ MARK AS BASIC.
- △ 3極~10極に適用。APPLY FOR 3-10 CKTS.
- △ 3極~19極に適用。APPLY FOR 3-19 CKTS.
- 5. () 内寸法は、参考値。
() DIMENSION IS FOR REFERENCE.
- 6. ソルダーテールは、先端が取付推奨穴にガイドされること。
SOLDER TAILS MAY BE CHECKED BY INSERTION FOR RECOMMENDED PCB BOARD HOLES.
- 7. 本製品は5597-NAPBの鉛フリー品である。
THIS PRODUCT IS LEAD FREE OF 5597-NAPB.

48.25	43.95	39-53-2344	5597-34APB7F	34
45.75	41.45	-2324	-32APB7F	32
44.50	40.20	-2314	-31APB7F	31
43.25	38.95	-2304	-30APB7F	30
42.00	37.70	-2294	-29APB7F	29
40.75	36.45	-2284	-28APB7F	28
39.50	35.20	-2274	-27APB7F	27
38.25	33.95	-2264	-26APB7F	26
37.00	32.70	-2254	-25APB7F	25
35.75	31.45	-2244	-24APB7F	24
34.50	30.20	-2234	-23APB7F	23
33.25	28.95	-2224	-22APB7F	22
32.00	27.70	-2214	-21APB7F	21
30.75	26.45	-2204	-20APB7F	20
29.50	25.20	-2194	-19APB7F	19
28.25	23.95	-2184	-18APB7F	18
27.00	22.70	-2174	-17APB7F	17
25.75	21.45	-2164	-16APB7F	16
24.50	20.20	-2154	-15APB7F	15
23.25	18.95	-2144	-14APB7F	14
22.00	17.70	-2134	-13APB7F	13
20.75	16.45	-2124	-12APB7F	12
19.50	15.20	-2114	-11APB7F	11
18.25	13.95	-2104	-10APB7F	10
17.00	12.70	-2094	-09APB7F	9
15.75	11.45	-2084	-08APB7F	8
14.50	10.20	-2074	-07APB7F	7
13.25	8.95	-2064	-06APB7F	6
12.00	7.70	-2054	-05APB7F	5
10.75	6.45	-2044	-04APB7F	4
9.50	5.20	39-53-2034	5597-03APB7F	3
B	A	EDP NO.	ENG NO.	極数 CKT.

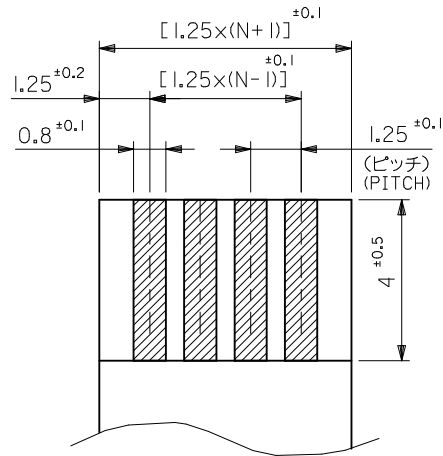
MODEL NO. 5597-NAPB7F

材料 MATERIAL HOUSING, ACTUATOR : PBTP, UL94V-0 TERMINAL : PHOSPHOR-BRONZE THK : 0.31
仕上げ TIN-BISMUTH : FINISH 10 MICROMETER MINIMUM OVER NICKEL PLATING : 10 MICROMETER MINIMUM
適用電線範囲 WIRE RANGE —#—
被覆外径 INS. RANGE —#—

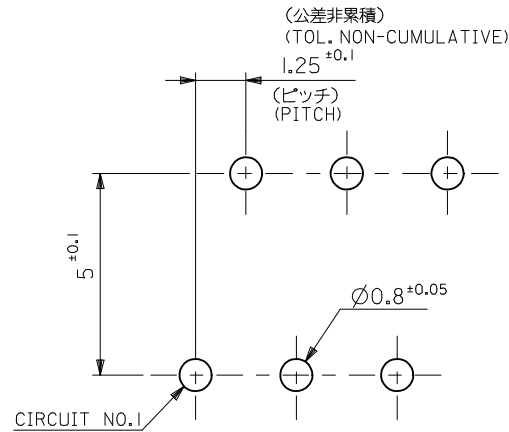
REVISED EC NO. J2016-0714 DRWN: YMIJUN002 2016/01/12 CHKD: K. TAKAHASHI 2016/01/12 APPR: IKUSUHARA01 2016/01/20	GENERAL TOLERANCES (UNLESS SPECIFIED)	
	0.25 UNDER UNDER ±0.03	
	0.25 OVER 0.5 UNDER ±0.05	
	0.5 OVER 1.0 UNDER ±0.1	
	1.0 OVER 10 UNDER ±0.2	
10 OVER 30 UNDER ±0.25		
30 OVER ±0.3		
ANGULAR ±3 °		
DRAFT WHERE APPLICABLE MUST REMAIN WITHIN DIMENSIONS		

DIMENSION STYLE MM ONLY	
DRAWN BY M. NAGATA	DATE '04/05/10
CHECKED BY K. TOJO	DATE '04/05/10
APPROVED BY M. SASAO	DATE '04/05/10
MATERIAL NO.	
SEE CHART	

SCALE ---	DESIGN UNITS METRIC	THIRD ANGLE PROJECTION
TITLE 1.25 FPC CONNECTOR ASSY ZIF -LEAD FREE-		
molex		
DOCUMENT NO. SD-5597-011	SHEET NO. 1 OF 2	
THIS DRAWING CONTAINS INFORMATION THAT IS PROPRIETARY TO MOLEX ELECTRONIC TECHNOLOGIES, LLC AND SHOULD NOT BE USED WITHOUT WRITTEN PERMISSION		



適合FPC/FFC推奨寸法
RECOMMENDED FPC/FFC
厚さ THK : 0.3 ±0.05



基板取付穴推奨寸法 (t=1.6)
RECOMMENDED P.C. BOARD
HOLE DIMENSION

FPC/FFCについて:

打抜き方向は導体側から補強板側を推奨いたします。
導体部については軟銅箔35マイクロメートルまたは50マイクロメートルを推奨いたします。

ABOUT FPC/FFC

RECOMMENDED PUNCHER DIRECTION : FROM CONDUCTOR SIDE TO STIFFENER FILM SIDE.
RECOMMENDED CONDUCTOR SPEC :
THICKNESS OF SOFT COPPER FOIL : 35 MICROMETER OR 50 MICROMETER.

FPCについて:

補強フィルム材質はポリイミドを推奨します。
接着剤は熱硬化接着剤を推奨します。

ABOUT FPC

RECOMMENDED MATERIAL :
STIFFENER FILM : POLYIMIDE
BONDING AGENT : THERMOSETTING BONDING AGENT

MODEL NO. 5597-NAPB7F

REVISED EC NO: J2016-0714 DRWN: YMIZUNO02 2016/01/12 CHKD: K. TAKAHASHI 2016/01/12 APPR: TKUSUHARA01 2016/01/20	GENERAL TOLERANCES (UNLESS SPECIFIED)			DIMENSION STYLE MM ONLY		SCALE ---	DESIGN UNITS METRIC	THIRD ANGLE PROJECTION	
	0.25 UNDER	UNDER	±0.03	DRAWN BY	DATE	TITLE			
	0.25 OVER	0.5 UNDER	±0.05	M. NAGATA	'04/05/10	1.25 FPC CONNECTOR ASSY ZIF -LEAD FREE-			
	0.5 OVER	1.0 UNDER	±0.1	CHECKED BY	DATE	molex			
	1.0 OVER	30 UNDER	±0.2	K. TOJO	'04/05/10				
10 OVER	30 UNDER	±0.25	APPROVED BY	DATE	MATERIAL NO.		DOCUMENT NO.	SHEET NO.	
30 OVER		±0.3	M. SASAO	'04/05/10	SEE CHART		SD-5597-011	2 OF 2	
ANGULAR	±3 °		DRAFT WHERE APPLICABLE MUST REMAIN WITHIN DIMENSIONS		SIZE A3	THIS DRAWING CONTAINS INFORMATION THAT IS PROPRIETARY TO MOLEX ELECTRONIC TECHNOLOGIES, LLC AND SHOULD NOT BE USED WITHOUT WRITTEN PERMISSION			