



Chipsmall Limited consists of a professional team with an average of over 10 year of expertise in the distribution of electronic components. Based in Hongkong, we have already established firm and mutual-benefit business relationships with customers from,Europe,America and south Asia,supplying obsolete and hard-to-find components to meet their specific needs.

With the principle of “Quality Parts,Customers Priority,Honest Operation,and Considerate Service”,our business mainly focus on the distribution of electronic components. Line cards we deal with include Microchip,ALPS,ROHM,Xilinx,Pulse,ON,Everlight and Freescale. Main products comprise IC,Modules,Potentiometer,IC Socket,Relay,Connector.Our parts cover such applications as commercial,industrial, and automotives areas.

We are looking forward to setting up business relationship with you and hope to provide you with the best service and solution. Let us make a better world for our industry!



Contact us

Tel: +86-755-8981 8866 Fax: +86-755-8427 6832

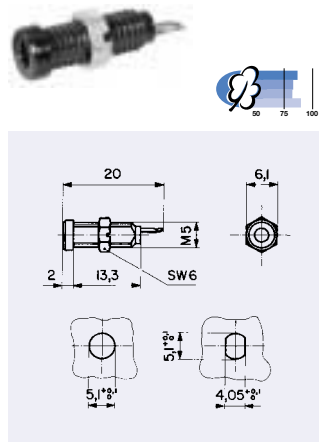
Email & Skype: info@chipsmall.com Web: www.chipsmall.com

Address: A1208, Overseas Decoration Building, #122 Zhenhua RD., Futian, Shenzhen, China



Mounting style / Einbauart

Panel mounting / Frontplattenmontage



Contact system /
Kontaktsystem



Rated current /
Nennstrom

6,3 A

Contact resistance /
Übergangswiderstand
at / bei 20 mV

< 5 mΩ

Insulation resistance, 1 min.
contact to contact /
Isolationswiderstand, 1 Min.
Kontakt/Kontakt

Contact/mounting plate /
Kontakt/Montageplatte

> 10⁴ MΩ

Dielectric strength,
50 Hz, 1 min.
contact to contact /
Prüfspannung, 50 Hz, 1 Min.
Kontakt/Kontakt

Contact/mounting plate /
Kontakt/Montageplatte

> 1,5 kV

Temperature at no current /
Temperaturbereich stromlos

-25 °C up to / bis + 100 °C

at rated current /
bei Nennstrom

-25 °C up to / bis + 70 °C

Solderability /
Lötbarkeit

2 sec., 235 °C IEC 68-2-20 test Ta, test method 1
2 Sek., 235 °C IEC 68-2-20 Test Ta, Test Methode 1

Resistance to soldering heat /
Lötwärmebeständigkeit

3 sec., 350 °C
3 Sek., 350 °C

Surface of contacts
(average thickness) /
Kontaktfläche
(durchschn. Schichtdicke)

0,5 µm Au

Tin-plated contacts
on request /
Verzinnnte Kontakte
auf Anfrage

Type / Typ

PBF

Order No. / Bestell-Nr.
Color / Farbe

0040.1031	black / schwarz
0040.1032	red / rot
0040.1033	green / grün
0040.1034	blue / blau
0040.1035	yellow / gelb