



Chipsmall Limited consists of a professional team with an average of over 10 year of expertise in the distribution of electronic components. Based in Hongkong, we have already established firm and mutual-benefit business relationships with customers from,Europe,America and south Asia,supplying obsolete and hard-to-find components to meet their specific needs.

With the principle of “Quality Parts,Customers Priority,Honest Operation,and Considerate Service”,our business mainly focus on the distribution of electronic components. Line cards we deal with include Microchip,ALPS,ROHM,Xilinx,Pulse,ON,Everlight and Freescale. Main products comprise IC,Modules,Potentiometer,IC Socket,Relay,Connector.Our parts cover such applications as commercial,industrial, and automotives areas.

We are looking forward to setting up business relationship with you and hope to provide you with the best service and solution. Let us make a better world for our industry!



Contact us

Tel: +86-755-8981 8866 Fax: +86-755-8427 6832

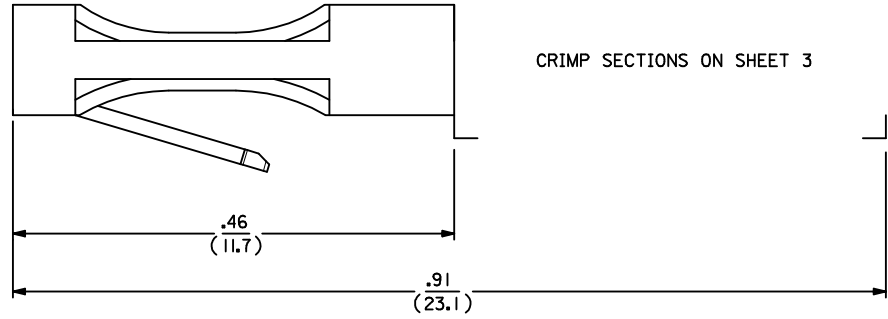
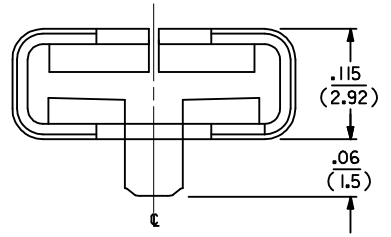
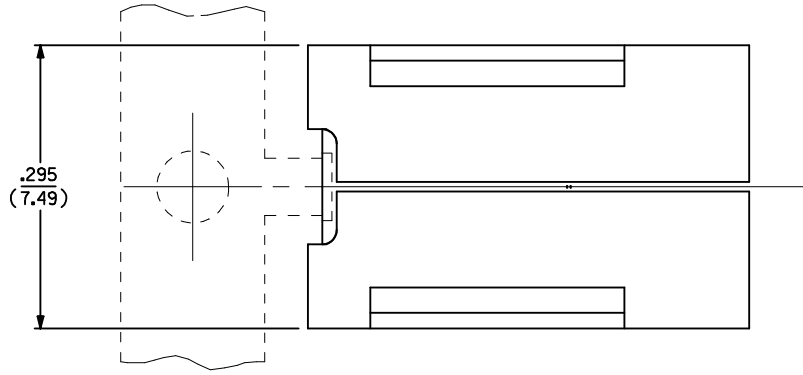
Email & Skype: info@chipsmall.com Web: www.chipsmall.com

Address: A1208, Overseas Decoration Building, #122 Zhenhua RD., Futian, Shenzhen, China



NOTES:

- 1 THIS TERMINAL IS FOR USE WITH .250/(6.35) X .032/(0.81) SPADES AND CRIMPING TO #10 TO #18 AWG WIRE WITH .031/(0.79) THICK INSULATION.
- 2 IN ANY HOUSING DESIGN USING THIS TERMINAL, ESPECIALLY WHEN LOW INSERTION FORCES ARE EXPECTED, SOME SORT OF LOCKING DEVICE SHOULD BE CONSIDERED.



CRIMP SECTIONS ON SHEET 3

MATERIAL:
SEE SHEET 2
FINISH:
SEE SHEET 2

3	K1
2	H2
1	K3

FIX BLOCK TOLERANCE EC NO: UCP2013-0551 DRWNAELHAG 2012/06/12 CHKD:JBELL 06/12/2012 APPR:FSMITH 2012/08/15	QUALITY SYMBOLS	GENERAL TOLERANCES (UNLESS SPECIFIED)	DIMENSION STYLE	SCALE	DESIGN UNITS	THIRD ANGLE PROJECTION
	▽=0	mm INCH	IN/MM	10:1	INCH	
	▽=0	4 PLACES ± --- ± ---	DRAWN BY DATE	TITLE TERMINAL PUSH-ON CRIMP		
	▽=0	3 PLACES ± --- ± .010	RWK 01/26/89			
	2 PLACES ± 0.25 ± .014	CHECKED BY DATE	MOLEX INCORPORATED			
	1 PLACE ± 0.35 ± ---	RHR 01/26/89				
	ANGULAR ± 1/2°	APPROVED BY DATE	DOCUMENT NO. SD-41422-3*			
		RAS 01/26/89				
		MATERIAL NO.	SHEET NO. 1 OF 3			
		SEE CHART				
		DRAFT WHERE APPLICABLE MUST REMAIN WITHIN DIMENSIONS	THIS DRAWING CONTAINS INFORMATION THAT IS PROPRIETARY TO MOLEX INCORPORATED AND SHOULD NOT BE USED WITHOUT WRITTEN PERMISSION			

PART NO.	ENG. NO.	MATERIAL	MATERIAL EDP NUMBER	FINISH		CONTACT GAP	WIRE RANGE	FORM
				PLATING	LUBRICATION			
040-02-1601	41422-3A2N5A1	A	080-02-1608	2	N	5	A	I
040-02-1602	41422-3A2N5B1	A	080-02-1608	2	N	5	B	I

41422

MATERIALS:

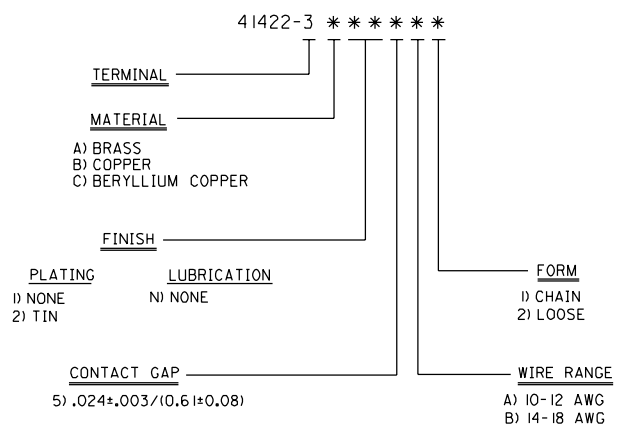
- A) BRASS, ALLOY #C26000, TEMPER: SPRING, .016/(0.4) THICK.
- B) COPPER, ALLOY #C19500, TEMPER: SPRING, .016/(0.4) THICK.
- C) BERYLLIUM COPPER, ALLOY #C17400, .016/(0.4) THICK.

FINISHES:

PLATING

- 2) HOT TIN DIP, SDES-88-P901.

ENGINEERING NUMBER SYSTEM

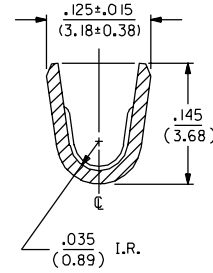
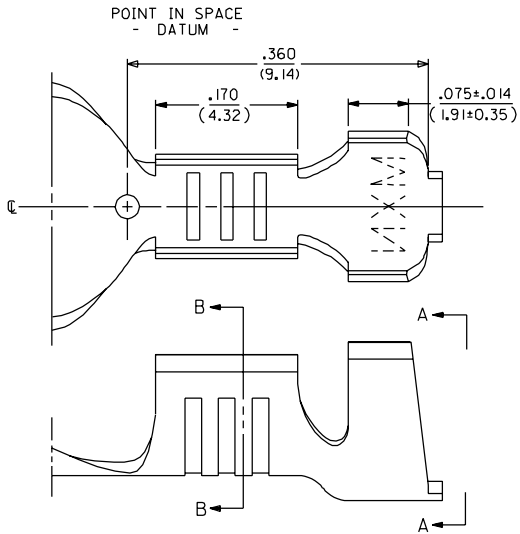


H2	SEE SHEET I
H1	SEE SHEET I
G1	SEE SHEET I
G	SEE SHEET I
F	SEE SHEET I
E	SEE SHEET I
D	SEE SHEET I
C	SEE SHEET I

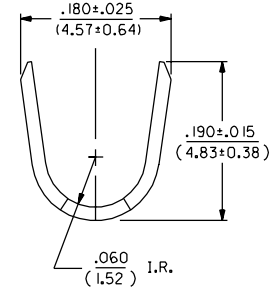
DIMENSIONS SHOWN (METRIC) INCH		▽ = 0	▼ = 0	REVISE ONLY ON CAD SYSTEM
UNLESS OTHERWISE SPECIFIED TOLERANCES: ANGULAR ± .042		TITLE		
3 PLACE ±		TERMINAL, PUSH-ON, CRIMP		
2 PLACE ±		MOLEX INCORPORATED		
1 PLACE ±		LITSE,ILL. 60532 U.S.A.		
DRAFT WHERE APPLICABLE MUST REMAIN WITHIN DIMENSIONS		PART NO. SHEET NO. DATE		
DRWG. BY: RWK		SEE CHART SD-41422-3		
APP'D. BY: RAS		FILE NAME: T41422.S06		
SCALE: :		THIS DRAWING CONTAINS INFORMATION THAT IS PROPRIETARY TO MOLEX INC. AND SHOULD NOT BE USED WITHOUT WRITTEN PERMISSION.		

41422

14-18 AWG WIRE

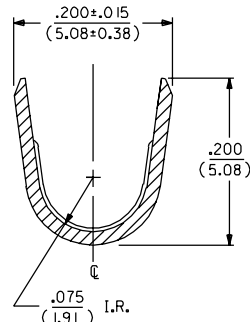
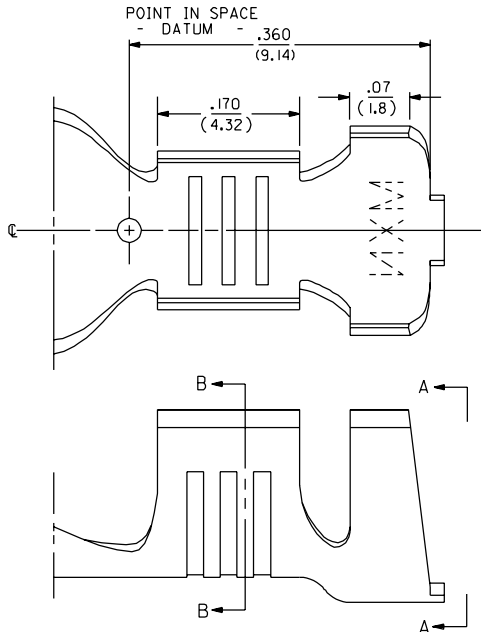


SECTION B-B

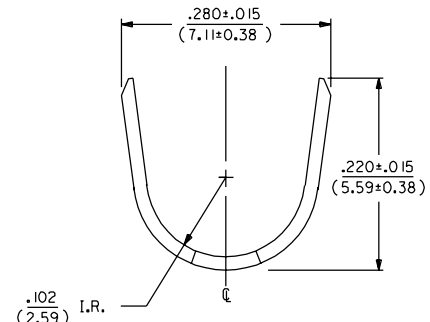


VIEW A

10-12 AWG WIRE



SECTION B-B



VIEW A

K	I SEE SHEET I
K	SEE SHEET I
I	SEE SHEET I
H	I SEE SHEET I
D	SEE SHEET I
C	SEE SHEET I

DIMENSIONS SHOWN METRIC (INCH)		▽ = 0	▽ = 0	REVISE ONLY ON CAD SYSTEM
UNLESS OTHERWISE SPECIFIED TOLERANCES ANGULAR ± .040°		TITLE		
INCH METRIC		TERMINAL, PUSH-ON, CRIMP		
3 PLACE ± .010	---	MOLEX INCORPORATED		
2 PLACE ± .014	± 0.25	L15LEJLL 60532		
1 PLACE ---	± 0.35	U.S.A.		
DRAFT WHERE APPLICABLE MUST REMAIN WITHIN DIMENSIONS		PART NO.	DRWG. NO.	DATE
		SEE CHART	SD-41422-3	01/30/89
DRWG. BY: RWK	CHKD. BY: RHR	FILE NAME	REV.	SIZE
APP'D. BY:	SCALE :	THIS DRAWING CONTAINS INFORMATION THAT IS PROPRIETARY TO MOLEX INC. AND SHOULD NOT BE USED WITHOUT WRITTEN PERMISSION.		