



Chipsmall Limited consists of a professional team with an average of over 10 year of expertise in the distribution of electronic components. Based in Hongkong, we have already established firm and mutual-benefit business relationships with customers from,Europe,America and south Asia,supplying obsolete and hard-to-find components to meet their specific needs.

With the principle of “Quality Parts,Customers Priority,Honest Operation,and Considerate Service”,our business mainly focus on the distribution of electronic components. Line cards we deal with include Microchip,ALPS,ROHM,Xilinx,Pulse,ON,Everlight and Freescale. Main products comprise IC,Modules,Potentiometer,IC Socket,Relay,Connector.Our parts cover such applications as commercial,industrial, and automotives areas.

We are looking forward to setting up business relationship with you and hope to provide you with the best service and solution. Let us make a better world for our industry!



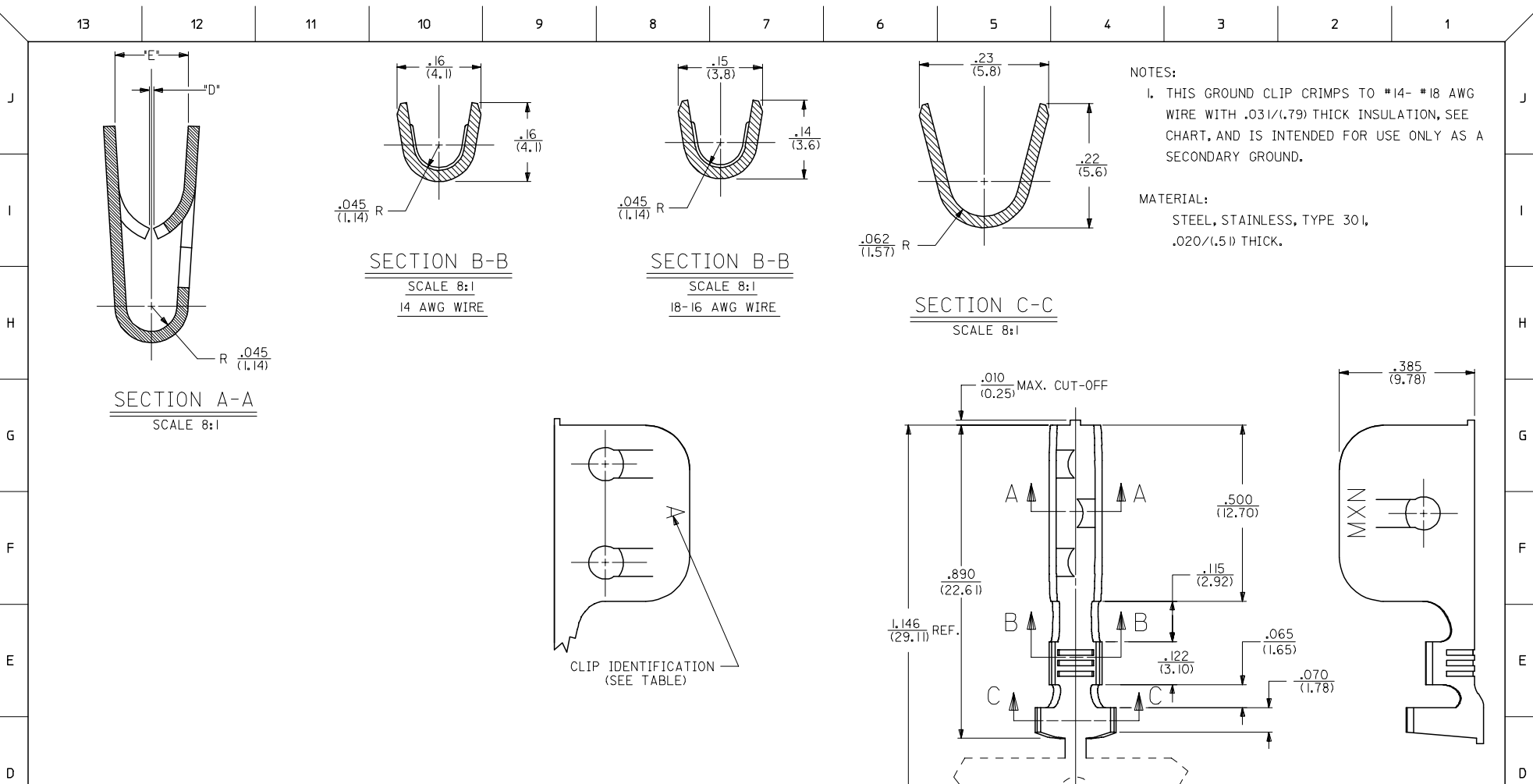
Contact us

Tel: +86-755-8981 8866 Fax: +86-755-8427 6832

Email & Skype: info@chipsmall.com Web: www.chipsmall.com

Address: A1208, Overseas Decoration Building, #122 Zhenhua RD., Futian, Shenzhen, China





NOTES:
 1. THIS GROUND CLIP CRIMPS TO #14- #18 AWG WIRE WITH .031(.79) THICK INSULATION, SEE CHART, AND IS INTENDED FOR USE ONLY AS A SECONDARY GROUND.

MATERIAL:
 STEEL, STAINLESS, TYPE 301,
 .020(.51) THICK.

PART NO.	ENG. NO.	DIM. "D"	DIM. "E"	PANEL THICKNESS RANGE	WIRE GAGE	DOUBLE WIRE COMBINATION
040-06-2015	42172-BB1	.025/(0.64)	.13/(3.3)	.035/(0.89)-.050/(1.27)	14 AWG	(2) #16 AWG
040-06-2014	42172-AA1	.008/(0.20)	.11/(2.8)	.015/(0.38)-.035/(0.89)	14 AWG	
050-29-1597	42172-H1	.035/(0.89)	.13/(3.3)	.045/(1.14)-.060/(1.52)	18-16 AWG	
040-06-2017	42172-F1	.015/(0.38)	.11/(2.8)	.020/(0.51)-.030/(0.76)	18-16 AWG	(2) #18 AWG
040-06-2013	42172-C1	.050/(1.27)	.13/(3.3)	.060/(1.52)-.075/(1.91)	18-16 AWG	OR
040-06-2005	42172-B1	.025/(0.64)	.13/(3.3)	.035/(0.89)-.050/(1.27)	18-16 AWG	(1) #18 & (1) #16
040-06-2003	42172-A1	.008/(0.20)	.11/(2.8)	.015/(0.38)-.035/(0.89)	18-16 AWG	
040-06-2024	42172-G1	.004/(0.10)	.11/(2.8)	.015/(0.38)-.035/(0.89)	18-16 AWG	

REM GEOM OUTSIDE DWG FC NO: DRAWN: C STEWART 2005/11/22 CHKD: APPR: REV: R1	DESCRIPTION	QUALITY SYMBOLS	GENERAL TOLERANCES (UNLESS SPECIFIED)	DIMENSION STYLE IN/MM	SCALE 5:1	DESIGN UNITS INCH	THIRD ANGLE PROJECTION
		$\nabla=0$ $\nabla=0$	4 PLACES ± .005 ± .005 3 PLACES ± .010 ± .010 2 PLACES ± 0.25 ± .014 1 PLACE ± 0.35 ± .014 ANGULAR ±1/2°	DRAWN BY MAB DATE 07-24-92 CHECKED BY KBP DATE 07-24-92 APPROVED BY RAS DATE 07-24-92	TITLE: GROUND CLIP MATERIAL NO. SEE CHART DOCUMENT NO. SD-42172-** SHEET NO. 1 OF 1		

DRAFT WHERE APPLICABLE MUST REMAIN WITHIN DIMENSIONS

THIS DRAWING CONTAINS INFORMATION THAT IS PROPRIETARY TO MOLEX INCORPORATED AND SHOULD NOT BE USED WITHOUT WRITTEN PERMISSION