



Chipsmall Limited consists of a professional team with an average of over 10 year of expertise in the distribution of electronic components. Based in Hongkong, we have already established firm and mutual-benefit business relationships with customers from,Europe,America and south Asia,supplying obsolete and hard-to-find components to meet their specific needs.

With the principle of “Quality Parts,Customers Priority,Honest Operation,and Considerate Service”,our business mainly focus on the distribution of electronic components. Line cards we deal with include Microchip,ALPS,ROHM,Xilinx,Pulse,ON,Everlight and Freescale. Main products comprise IC,Modules,Potentiometer,IC Socket,Relay,Connector.Our parts cover such applications as commercial,industrial, and automotives areas.

We are looking forward to setting up business relationship with you and hope to provide you with the best service and solution. Let us make a better world for our industry!



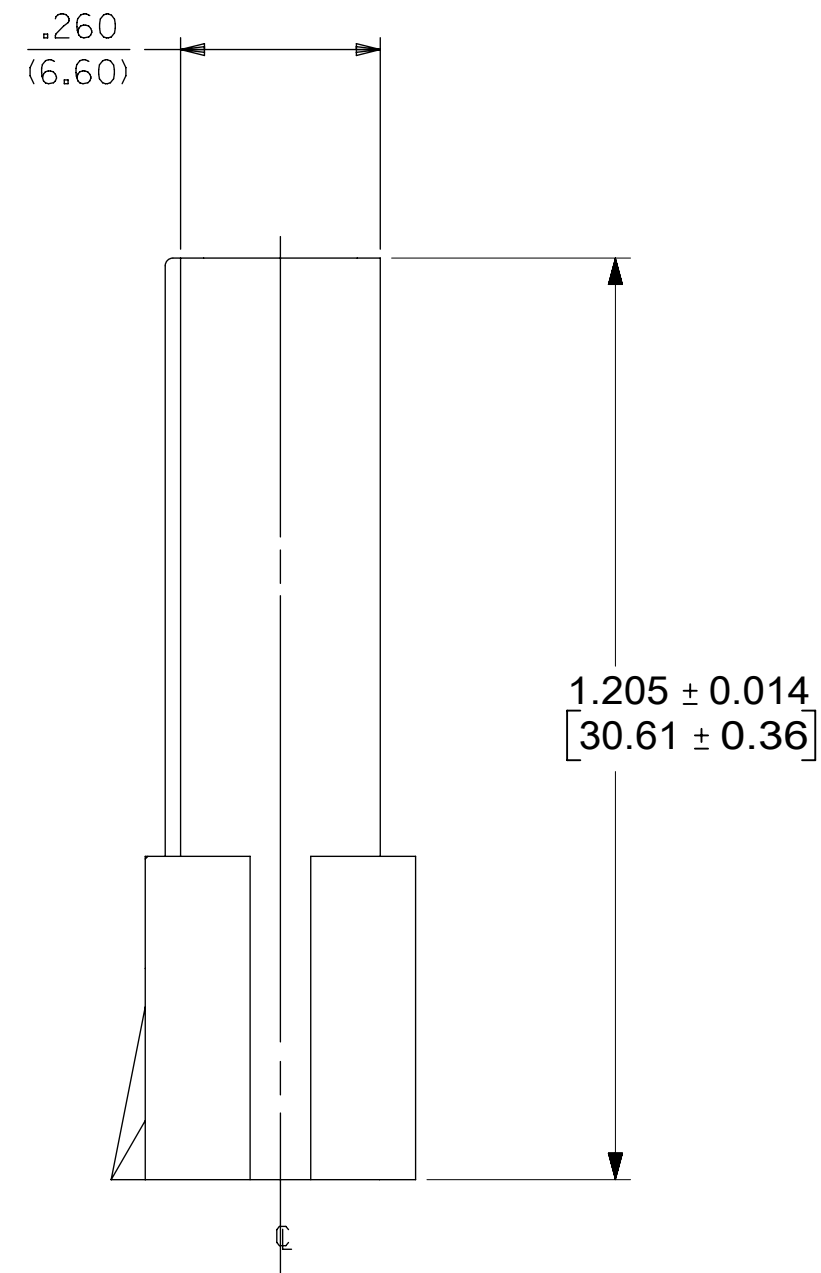
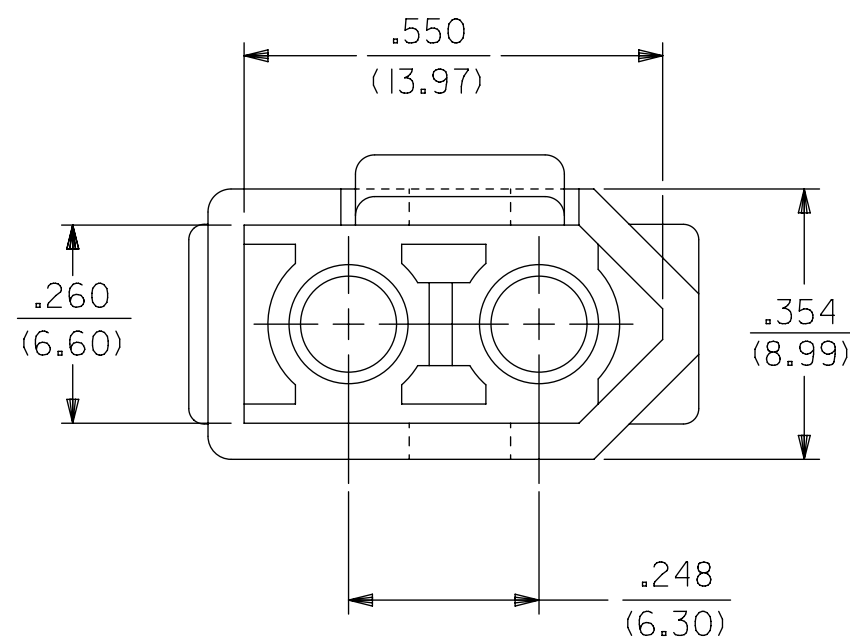
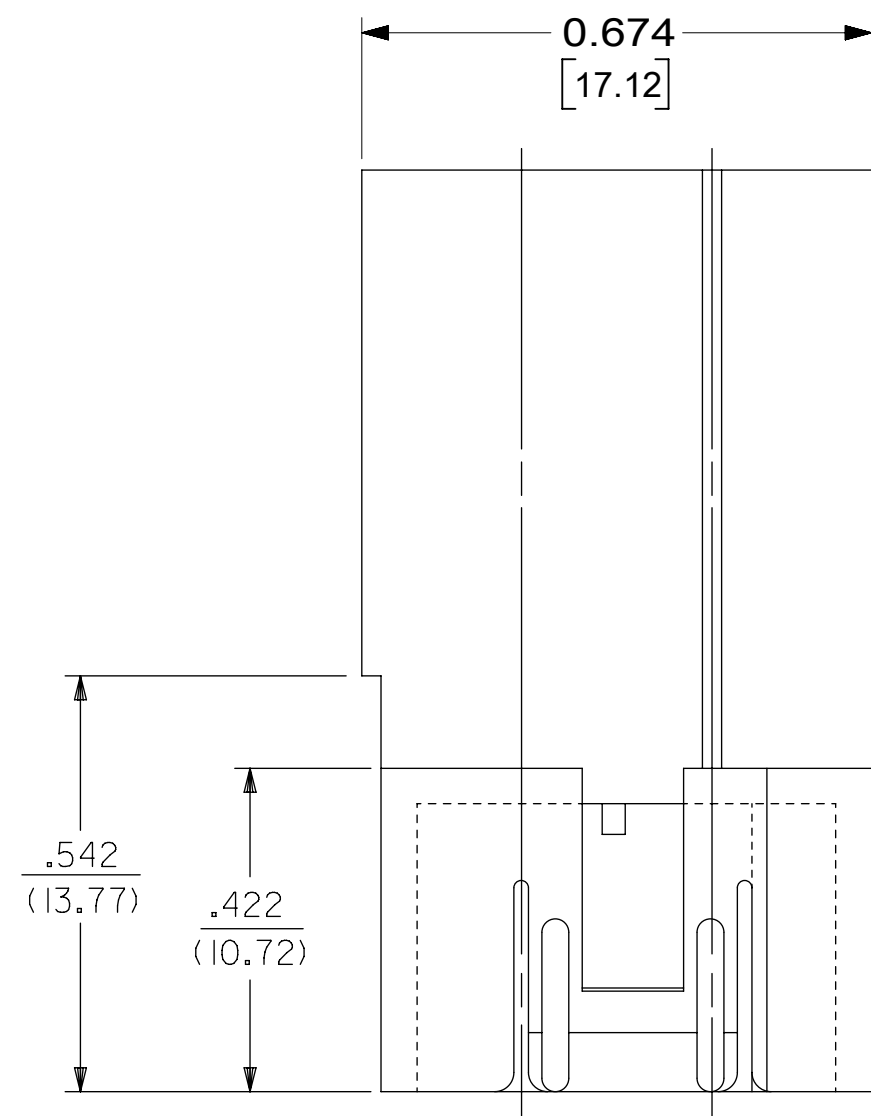
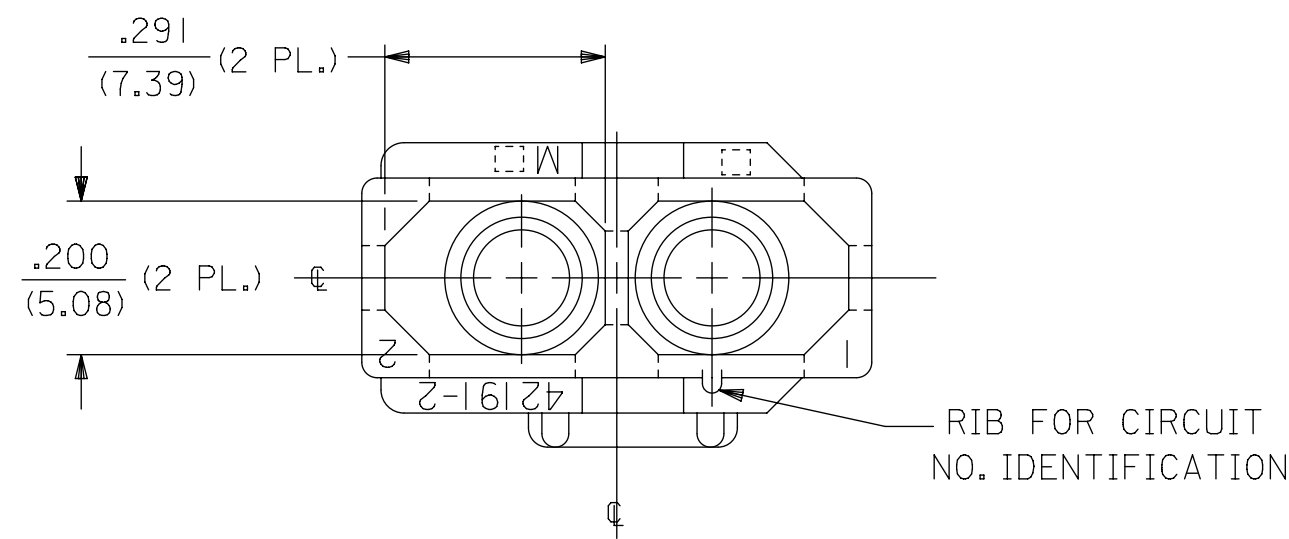
## Contact us

Tel: +86-755-8981 8866 Fax: +86-755-8427 6832

Email & Skype: info@chipsmall.com Web: www.chipsmall.com

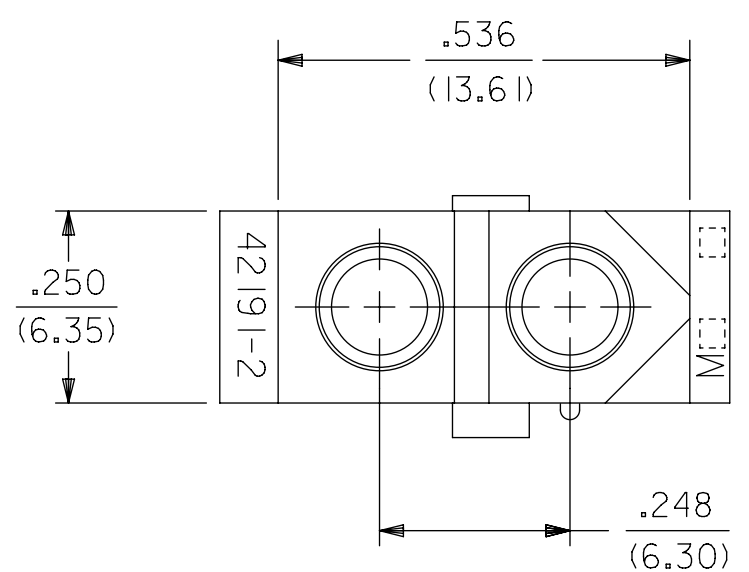
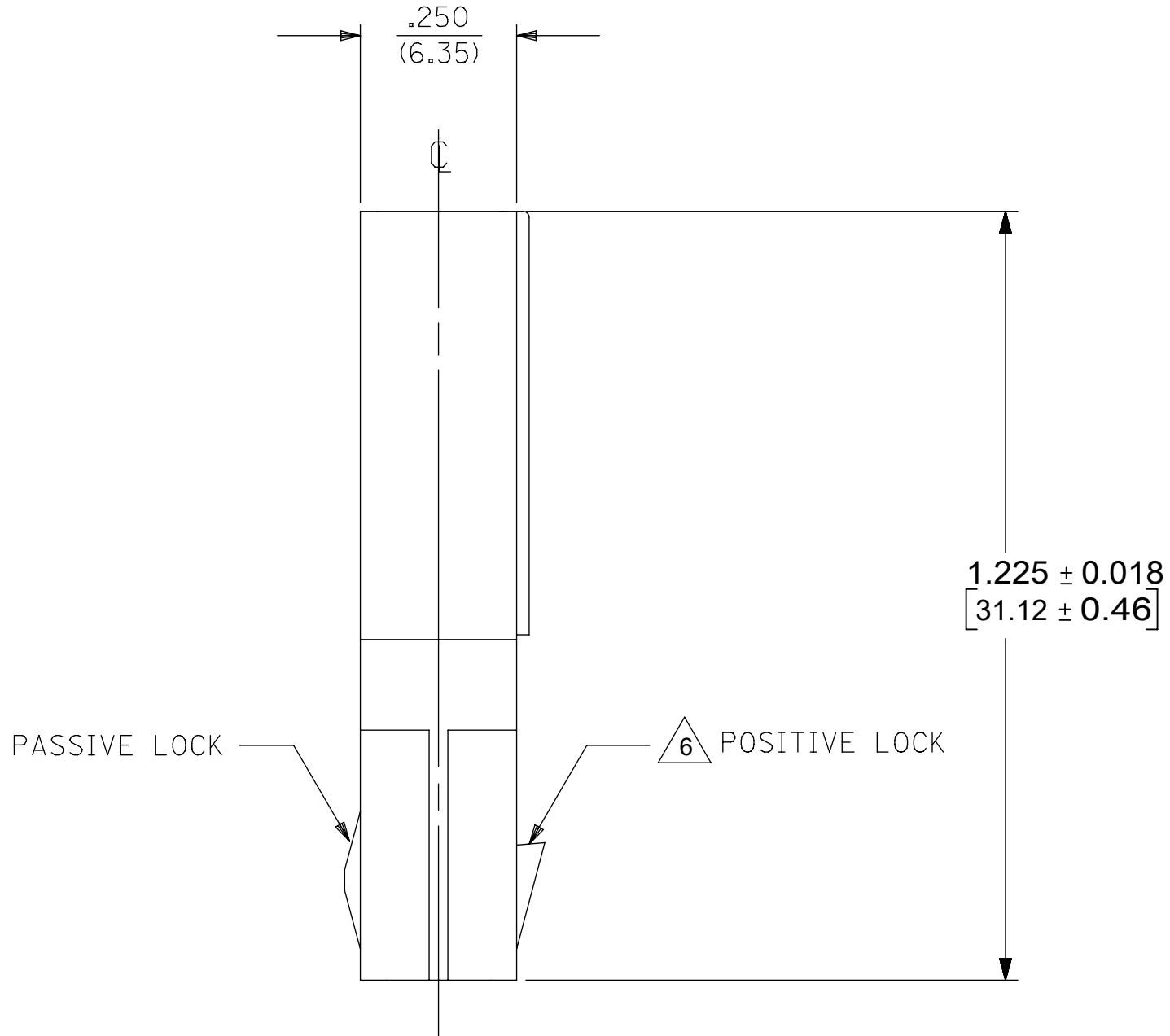
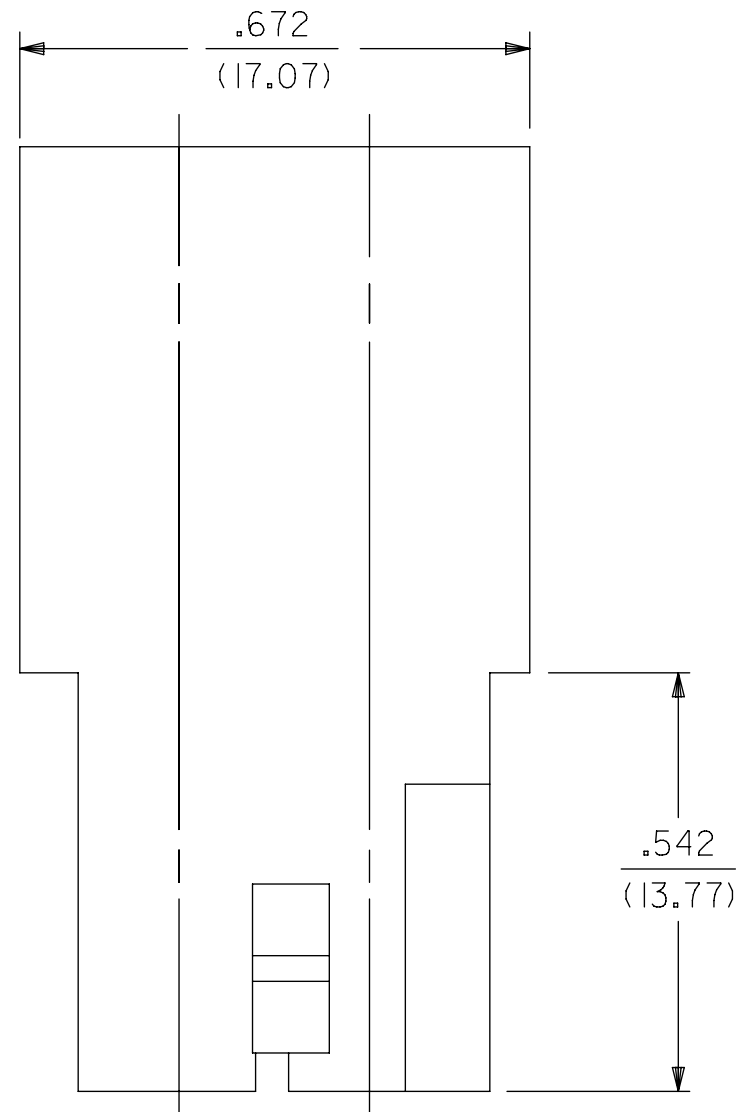
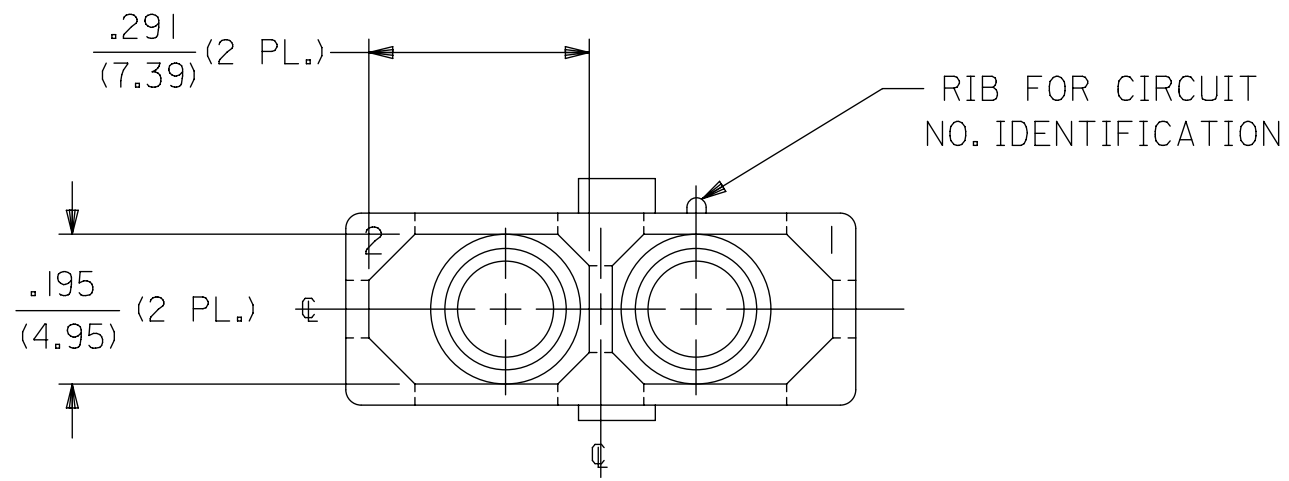
Address: A1208, Overseas Decoration Building, #122 Zhenhua RD., Futian, Shenzhen, China





## PLUG HOUSING

<b>QUALITY SYMBOLS</b> 	THIS DRAWING CONTAINS INFORMATION THAT IS PROPRIETARY TO MOLEX ELECTRONIC TECHNOLOGIES, LLC AND SHOULD NOT BE USED WITHOUT WRITTEN PERMISSION											
	EC NO: 101710 DRWN: MKIPPER CHKD: JBELL REV: APPR: FSMITH	2015/11/09 2015/11/13 2015/11/13			<b>GENERAL TOLERANCES (UNLESS SPECIFIED)</b> ANGULAR TOL $\pm 1.0^\circ$			DIMENSION UNITS: IN/MM SCALE: 4:1				
		4 PLACES $\pm$		AELHAG		DATE: 09/24/2007						
		3 PLACES $\pm 0.01$		CHKD BY: LSCHEMIDT		DATE: 09/24/2007						
		2 PLACES $\pm 0.014$		APPR BY: FSMITH		DATE: 2014/12/18						
		1 PLACE $\pm$		DRAWING SIZE: C		THIRD ANGLE PROJECTION						
	0 PLACES $\pm$		DRAFT WHERE APPLICABLE MUST REMAIN WITHIN DIMENSIONS									
	SERIES: 42191 MATERIAL NUMBER: SEE CHART CUSTOMER: GENERAL MARKET			<b>PRODUCT CUSTOMER DRAWING</b>			DOCUMENT NUMBER: SD-42191-002 DOC TYPE: PSD DOC PART: 000 SHEET NUMBER: 1 OF 3					
	RELEASE STATUS: P1 RELEASE DATE: 13.11.2015 21:45:58											



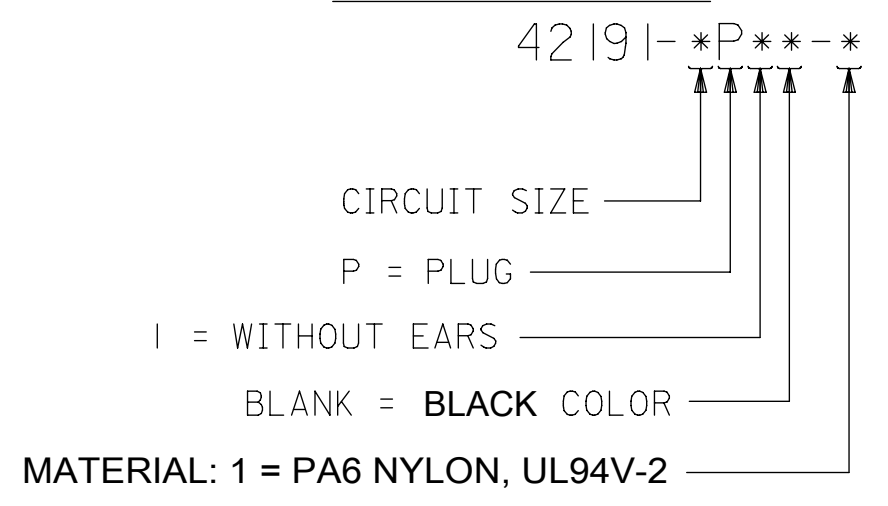
**RECEPTACLE HOUSING**

<b>QUALITY SYMBOLS</b> 	THIS DRAWING CONTAINS INFORMATION THAT IS PROPRIETARY TO MOLEX ELECTRONIC TECHNOLOGIES, LLC AND SHOULD NOT BE USED WITHOUT WRITTEN PERMISSION											
	EC NO: 101710 DRWN: MKIPPER CHKD: JBELL REV / APPR: FSMITH	2015/11/09 2015/11/13 2015/11/13			<b>GENERAL TOLERANCES (UNLESS SPECIFIED)</b> ANGULAR TOL $\pm 1.0^\circ$			DIMENSION UNITS: IN/MM SCALE: 4:1		 .093/(2.36) HOUSING G.W. PLUG AND RECEPTACLE 2 CIRCUIT PRODUCT CUSTOMER DRAWING		
		4 PLACES $\pm$		AELHAG		DATE: 09/24/2007						
		3 PLACES $\pm 0.01$		CHKD BY: LSCHMIDT		DATE: 09/24/2007						
		2 PLACES $\pm 0.014$		APPR BY: FSMITH		DATE: 2014/12/18						
		1 PLACE $\pm$		DRAWING SIZE: C		THIRD ANGLE PROJECTION						
	0 PLACES $\pm$		DRAFT WHERE APPLICABLE MUST REMAIN WITHIN DIMENSIONS		SERIES: 42191		MATERIAL NUMBER: SEE CHART		CUSTOMER: GENERAL MARKET			
	B1		DOCUMENT NUMBER: SD-42191-002		DOC TYPE: PSD		DOC PART: 000		SHEET NUMBER: 2 OF 3			

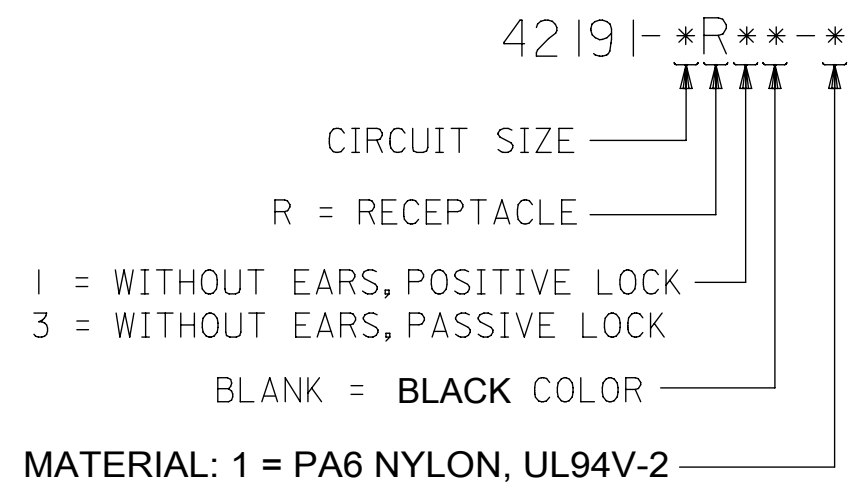
PLUG	
PART NO.	ENG. NO.
50-36-1688	42191-2P1-1

RECEPTACLE	
PART NO.	ENG. NO.
50-36-1687	42191-2R1-1

LEGEND: PLUG



LEGEND: RECEPTACLE



- NOTES:
1. MATERIAL: 1 = UL94V-2, PA6 NYLON, GLOW WIRE CAPABLE, PER IEC 60335-1.
  2. FINISH: NONE.
  3. PRODUCT SPECIFICATION: NONE.
  4. PACKAGING INFORMATION: NONE.
  5. PART ACCEPTS DOUBLE WIRE CRIMPS OF 18 AWG MAXIMUM. EACH CIRCUIT WILL ALLOW ONE OF THE WIRES TO HAVE AN INSULATION THICKNESS OF .062/(1.57), THE OTHER HAVING AN INSULATION THICKNESS OF .031/(0.79).
  6. LOCK RAMP STYLE IS OPTIONAL ON THIS SIDE OF PART. CHOICE OF EITHER A POSITIVE LOCK RAMP OR A PASSIVE LOCK RAMP IS AVAILABLE.
  7. PARTS CONFORM TO CLASS 'B' REQUIREMENTS OF COSMETIC SPECIFICATION PS-45499-002 BUT, MEETS CLASS 'C' REQUIREMENTS FOR SINK AND DISCOLORATION.

<b>QUALITY SYMBOLS</b> ▽ = 0 ▽ = 0 ▽ = 0 ▼ = 0 ▽ = 0 ☒ = 0 ■ = 0 ▽ = 0	THIS DRAWING CONTAINS INFORMATION THAT IS PROPRIETARY TO MOLEX ELECTRONIC TECHNOLOGIES, LLC AND SHOULD NOT BE USED WITHOUT WRITTEN PERMISSION										
	EC NO: 101710 DRWN: MKIPPER CHKD: JBELL REV / APPR: FSMITH	GENERAL TOLERANCES (UNLESS SPECIFIED) ANGULAR TOL ± 1.0 °		DIMENSION UNITS	SCALE						
		4 PLACES ± 3 PLACES ± 0.01 2 PLACES ± 0.014 1 PLACE ± 0 PLACES ±		IN/MM	---						
		DRAFT WHERE APPLICABLE MUST REMAIN WITHIN DIMENSIONS		DRAWN BY: AELHAG DATE: 09/24/2007 CHKD BY: LSCHEMIDT DATE: 09/24/2007 APPR BY: FSMITH DATE: 2014/12/18		PRODUCT CUSTOMER DRAWING					
B1		C		THIRD ANGLE PROJECTION		SERIES	MATERIAL NUMBER	CUSTOMER			
RELEASE STATUS P1 RELEASE DATE 13.11.2015 21:45:58		B1		C		42191	SEE CHART	GENERAL MARKET			
12 11 10 9 8 7 6 5 4 3 2 1		12 11 10 9 8 7 6 5 4 3 2 1		12 11 10 9 8 7 6 5 4 3 2 1		DOCUMENT NUMBER SD-42191-002 DOC TYPE PSD DOC PART 000 SHEET NUMBER 3 OF 3					