



Chipsmall Limited consists of a professional team with an average of over 10 year of expertise in the distribution of electronic components. Based in Hongkong, we have already established firm and mutual-benefit business relationships with customers from,Europe,America and south Asia,supplying obsolete and hard-to-find components to meet their specific needs.

With the principle of “Quality Parts,Customers Priority,Honest Operation,and Considerate Service”,our business mainly focus on the distribution of electronic components. Line cards we deal with include Microchip,ALPS,ROHM,Xilinx,Pulse,ON,Everlight and Freescale. Main products comprise IC,Modules,Potentiometer,IC Socket,Relay,Connector.Our parts cover such applications as commercial,industrial, and automotives areas.

We are looking forward to setting up business relationship with you and hope to provide you with the best service and solution. Let us make a better world for our industry!



Contact us

Tel: +86-755-8981 8866 Fax: +86-755-8427 6832

Email & Skype: info@chipsmall.com Web: www.chipsmall.com

Address: A1208, Overseas Decoration Building, #122 Zhenhua RD., Futian, Shenzhen, China

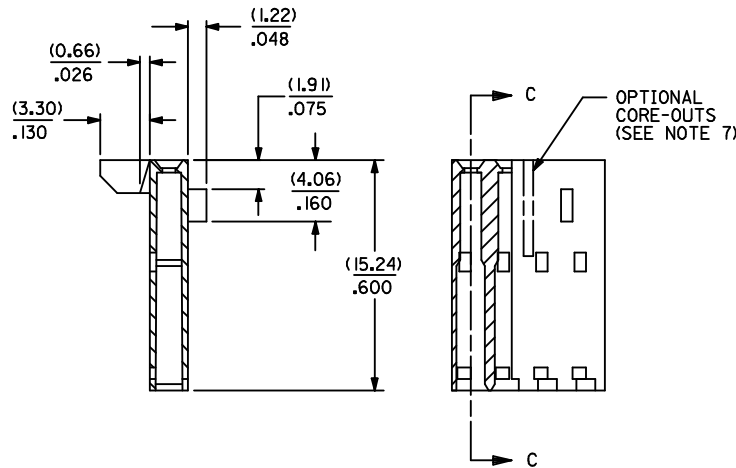
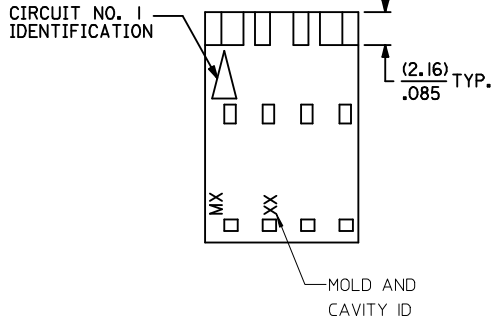
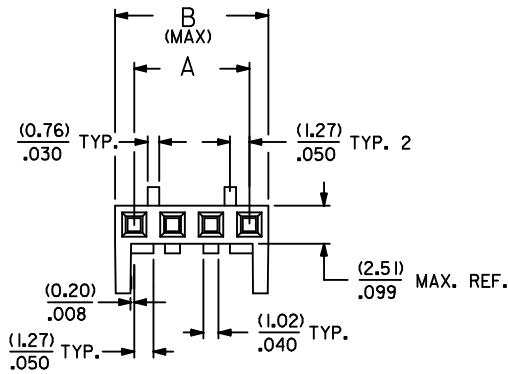


NOTES:

1. MATERIAL GLASS FILLED POLYESTER, UL94V-0; COLOR: BLACK.
2. HOUSING MAY BE USED WITH TERMINAL NUMBERS 70058, 71851, & 70021.
3. REFER TO CHART FOR AVAILABLE CIRCUIT SIZES.
4. HOUSINGS TO BE USED WITH (0.64)/.025 SQUARE OR ROUND PINS.
5. HOUSING ARE STACKABLE END-TO-END ON (2.54)/.100 CENTERS.
6. REFER TO MOLEX PRODUCT SPECIFICATION(S): PS-70400, PS-70058, PS-71851, PS-70021, AND MOLEX APPLICATION SPECIFICATION SDES-70400.
7. PARTS MAY OR MAY NOT BE SUPPLIED WITH EXTERIOR CORE-OUT CONFIGURATION. REFER TO MOLEX DRAWING NUMBER SD-70066-**** FOR OPTIONAL HOUSING DETAILS.
8. DIMENSIONS ARE SHOWN FOR REFERENCE ONLY.
9. PACKAGE PER PK-70066-100.

| CKT. SIZE | EDP. NO. | ENG. NO. | A | B |
|-----------|------------|------------|------------------|------------------|
| 2 | 50-57-9502 | 70066-0211 | (2.54) .100 | (5.05) .199 |
| 3 | 50-57-9503 | 70066-0212 | (5.08) .200 | (7.59) .299 |
| 4 | 50-57-9504 | 70066-0213 | (7.62) .300 | (10.13) .399 |
| 5 | 50-57-9505 | 70066-0214 | (10.16) .400 | (12.67) .499 |
| 6 | 50-57-9506 | 70066-0215 | (12.70) .500 | (15.21) .599 |
| 7 | 50-57-9507 | 70066-0216 | (15.24) .600 | (17.75) .699 |
| 8 | 50-57-9508 | 70066-0217 | (17.78) .700 | (20.29) .799 |
| 9 | 50-57-9509 | 70066-0218 | (20.32) .800 | (22.83) .899 |
| 10 | 50-57-9510 | 70066-0219 | (22.86) .900 | (25.37) .999 |
| 11 | 50-57-9511 | 70066-0220 | (25.40) 1.000 | (27.91) 1.099 |
| 12 | 50-57-9512 | 70066-0221 | (27.94) 1.100 | (30.45) 1.199 |
| 13 | 50-57-9513 | 70066-0222 | (30.48) 1.200 | (32.99) 1.299 |
| 14 | 50-57-9514 | 70066-0223 | (33.02) 1.300 | (35.53) 1.399 |
| 15 | 50-57-9515 | 70066-0224 | (35.56) 1.400 | (38.07) 1.499 |
| 16 | 50-57-9516 | 70066-0225 | (38.10) 1.500 | (40.61) 1.599 |
| 17 | 50-57-9517 | 70066-0226 | (40.64) 1.600 | (43.15) 1.699 |
| 18 | 50-57-9518 | 70066-0227 | (43.18) 1.700 | (45.69) 1.799 |
| 19 | 50-57-9519 | 70066-0228 | (45.72) 1.800 | (48.23) 1.899 |
| 20 | 50-57-9520 | 70066-0229 | (48.26) 1.900 | (50.77) 1.999 |
| 21 | 50-57-9521 | 70066-0230 | (50.80) 2.000 | (53.31) 2.099 |
| 22 | 50-57-9522 | 70066-0231 | (53.34) 2.100 | (55.85) 2.199 |
| 23 | 50-57-9523 | 70066-0232 | (55.88) 2.200 | (58.39) 2.299 |
| 24 | 50-57-9524 | 70066-0233 | (58.42) 2.300 | (60.93) 2.399 |
| 25 | 50-57-9525 | 70066-0234 | (60.96) 2.400 | (63.47) 2.499 |

OPTION "H"



SECTION C-C

| | | | | | | | | | |
|--|--------------------------------------|--|--|-------------------------------------|--|---|----------------------|------------------------------------|---------------------|
| LOCATE MOLD & CAVITY ID EC NO: UCP2014-4216 DRW:RWHIPPLE 2014/04/11 CHK:DMORGAN 2014/04/11 APPR:SMILLER 2014/04/28 | QUALITY SYMBOLS ▽=0 ▽=0 ▽=0 | GENERAL TOLERANCES (UNLESS SPECIFIED) | | DIMENSION STYLE MM/IN | | SCALE 4:1 | DESIGN UNITS INCH | THIRD ANGLE PROJECTION | |
| | | 4 PLACES ± .010 ± .010 3 PLACES ± .010 ± .010 2 PLACES ± .025 ± .015 1 PLACE ± 0.38 ± .015 0 PLACE ± ± | | DRAWN BY DATE DMORGAN 2011/11/14 | | TITLE HOUSING CONNECTOR (2.54)/.100 GRID OPT. H STACKABLE SINGLE ROW | | DOCUMENT NO. SD-70066-0211-0234 | SHEET NO. 1 OF 1 |
| | | ANGULAR ±1/2° | | CHECKED BY DATE BJS 1987/02/26 | | APPROVED BY DATE SMILLER 2012/02/13 | | | |
| | | DRAFT WHERE APPLICABLE MUST REMAIN WITHIN DIMENSIONS | | MATERIAL NO. SEE CHART | | THIS DRAWING CONTAINS INFORMATION THAT IS PROPRIETARY TO MOLEX INCORPORATED AND SHOULD NOT BE USED WITHOUT WRITTEN PERMISSION | | | |