



Chipsmall Limited consists of a professional team with an average of over 10 year of expertise in the distribution of electronic components. Based in Hongkong, we have already established firm and mutual-benefit business relationships with customers from,Europe,America and south Asia,supplying obsolete and hard-to-find components to meet their specific needs.

With the principle of “Quality Parts,Customers Priority,Honest Operation,and Considerate Service”,our business mainly focus on the distribution of electronic components. Line cards we deal with include Microchip,ALPS,ROHM,Xilinx,Pulse,ON,Everlight and Freescale. Main products comprise IC,Modules,Potentiometer,IC Socket,Relay,Connector.Our parts cover such applications as commercial,industrial, and automotives areas.

We are looking forward to setting up business relationship with you and hope to provide you with the best service and solution. Let us make a better world for our industry!



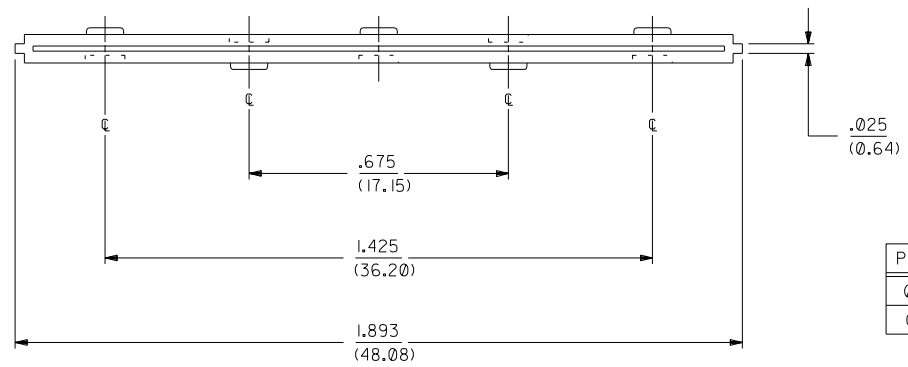
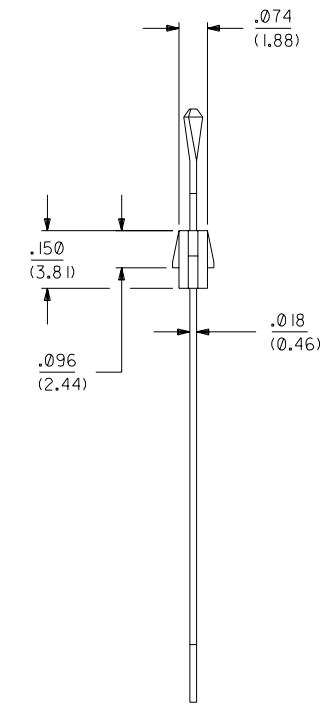
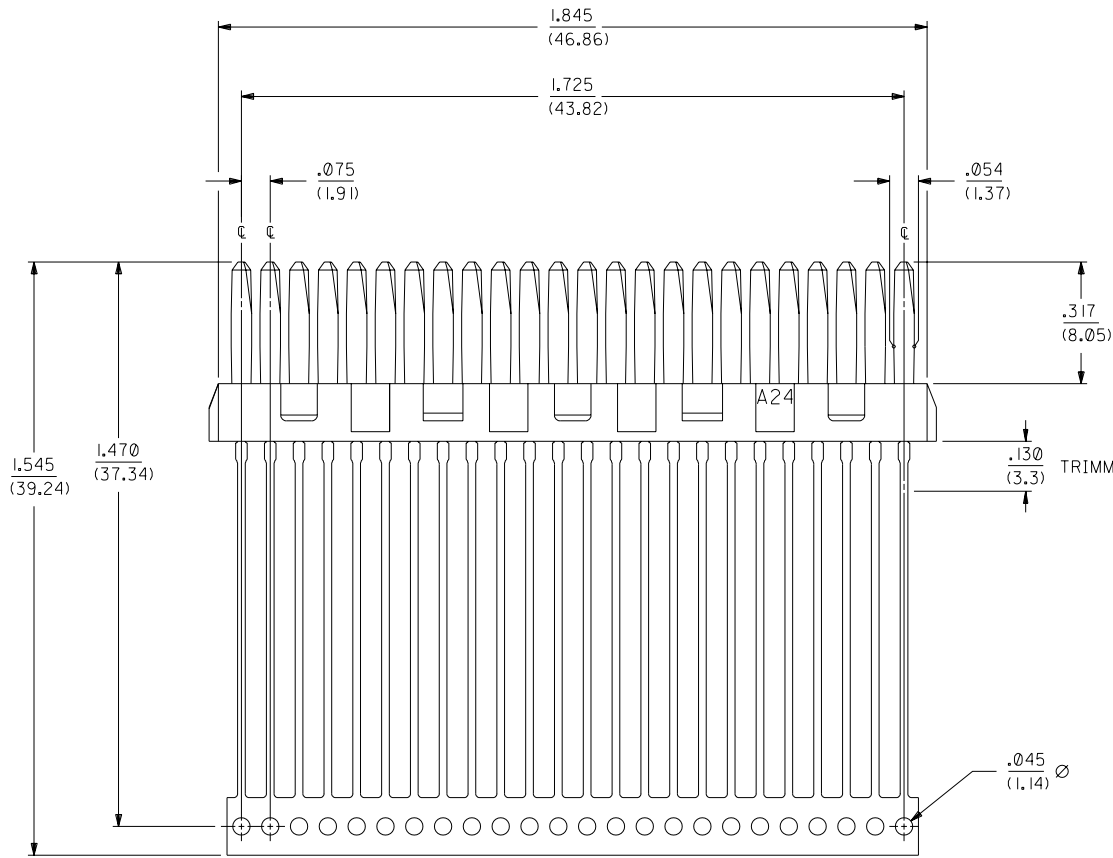
## Contact us

Tel: +86-755-8981 8866 Fax: +86-755-8427 6832

Email & Skype: info@chipsmall.com Web: www.chipsmall.com

Address: A1208, Overseas Decoration Building, #122 Zhenhua RD., Futian, Shenzhen, China





NOTE FOR LEAD FREE CONVERSION:  
 THE PRIMARY SHIPPING CARTON WILL BE  
 LABELED "COMPLIANT TO RoHS DIRECTIVE  
 2002/95/EC AND ELV ANNEX II OF  
 DIRECTIVE 2000/53/EC". CARTONS  
 WITHOUT THIS LABEL MAY CONTAIN  
 PRODUCT WITH LEAD.

PART NUMBER	ENGINEERING NO.	DESCRIPTION
051-25-1005	71989-4002	STANDARD
051-25-1012	71989-4003	TRIMMED TO LENGTH

- NOTES:
- 1) INSULATOR MATERIAL IS LCP (LIQUID CRYSTAL POLYMER), RATED U.L. 94 V-0, COLOR IS BLACK
  - 2) TERMINAL MATERIAL IS .018"/0.46mm THICK PHOSHOR BRONZE.
  - 3) TERMINAL PLATING IS .000030/(0.00076) MINIMUM GOLD IN CONTACT AREA OVER .000100/(0.00254) MINIMUM TIN ON SOLDER TAILS, OVER NICKEL UNDERPLATE OVERALL.
  - 4) ALL DIMENSIONS ARE SHOWN FOR REFERENCE ONLY.
  - 5) THIS COMPONENT CONFORMS TO PRODUCT SPECIFICATION PS-70660.
  - 6) PACKAGE PER PK-70873-0233.

REV.	DESCRIPTION
D	LEADFREE ECN# UCP2004-1663 DMORGAN 04/04/08
C	ADD PK SPEC NOTE UDT2002-0205 BSMART 01/08/02
B	REVISED PER ECN U7-0164 SCHMIDGA 96/08/15
A	FINAL RELEASE PER ECN U3-0539 04/21/93 DRS

DIMENSIONS SHOWN (METRIC) INCH		UNLESS OTHERWISE SPECIFIED TOLERANCES: ANGULAR ± 1/2°		▽ = 0		= 0		REVISE ONLY ON CAD SYSTEM	
3 PLACE ± --- ---		INCH METRIC		TITLE		.075 PITCH LFH INSERT-MOLDED TERMINAL STRIP, 24 CKT. MALE (SALES DWG.)		MFG., SH., REV., LTR., REVISIONS	
2 PLACE ± --- ± ---		1 PLACE --- ± ---		MOLEX INCORPORATED		SHEET NO. DATE		1 OF 1 04/21/93	
DRAFT WHERE APPLICABLE MUST REMAIN WITHIN DIMENSIONS		PART NO.		SEE CHART		SDA-71989-4001		DRWG. NO.	
DRWG. BY SCHMIDGALL		CHK'D. BY CAB		FILE NAME		S71989401		DIV. SIZE	
APP'D. BY CAB		SCALE 4: 1		MOLX INC. AND SHOULD NOT BE USED WITHOUT WRITTEN PERMISSION		CPPP		C	