



Chipsmall Limited consists of a professional team with an average of over 10 year of expertise in the distribution of electronic components. Based in Hongkong, we have already established firm and mutual-benefit business relationships with customers from,Europe,America and south Asia,supplying obsolete and hard-to-find components to meet their specific needs.

With the principle of “Quality Parts,Customers Priority,Honest Operation,and Considerate Service”,our business mainly focus on the distribution of electronic components. Line cards we deal with include Microchip,ALPS,ROHM,Xilinx,Pulse,ON,Everlight and Freescale. Main products comprise IC,Modules,Potentiometer,IC Socket,Relay,Connector.Our parts cover such applications as commercial,industrial, and automotives areas.

We are looking forward to setting up business relationship with you and hope to provide you with the best service and solution. Let us make a better world for our industry!



Contact us

Tel: +86-755-8981 8866 Fax: +86-755-8427 6832

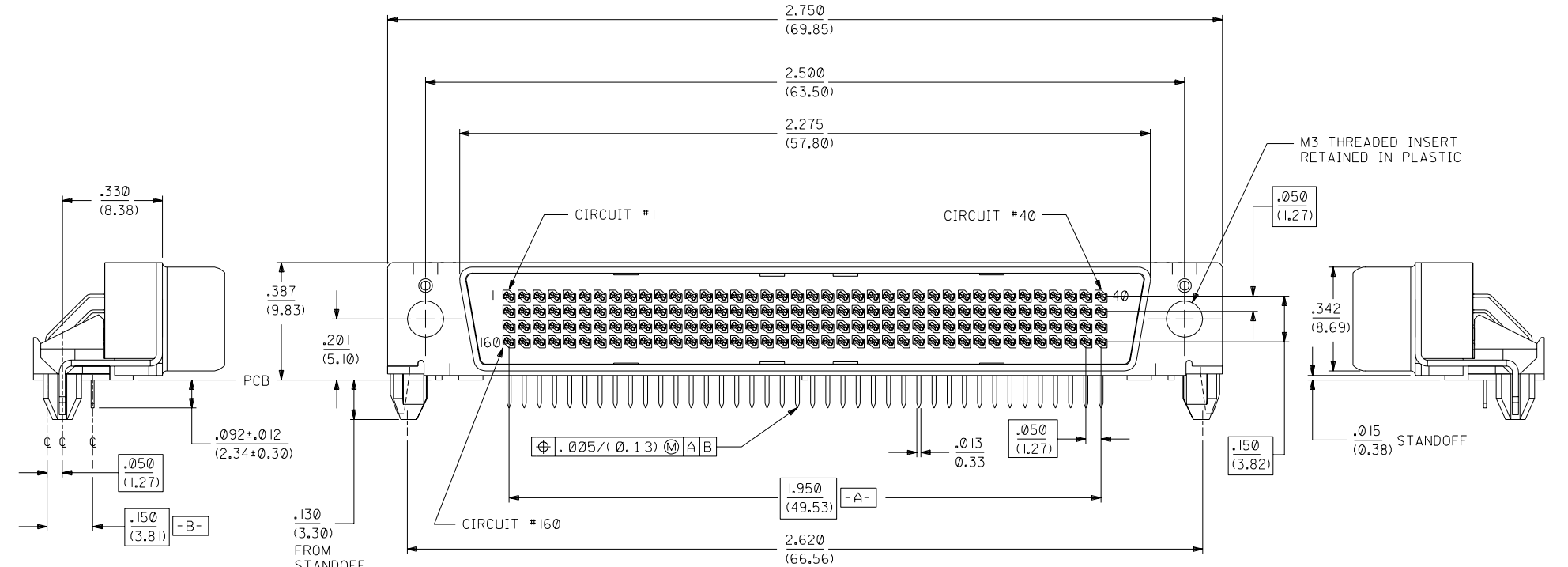
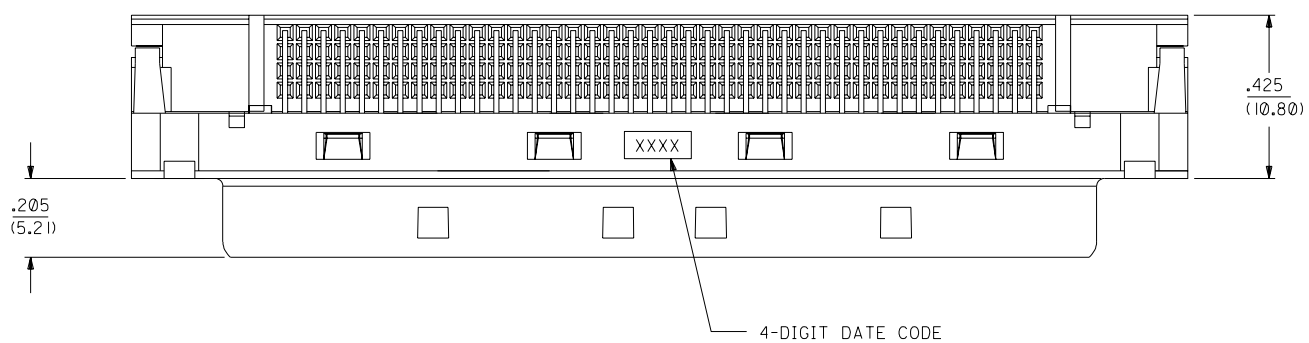
Email & Skype: info@chipsmall.com Web: www.chipsmall.com

Address: A1208, Overseas Decoration Building, #122 Zhenhua RD., Futian, Shenzhen, China



13 12 11 10 9 8 7 6 71624 4 3 2 1

J I H G F E D C B A



PART NUMBER	ITEM NUMBER	M3 THREADED INSERT
SDA-71624-2000	051-25-1040	YES
SDA-71624-2004	71624-2004	NO

LTR.	REVISIONS	LTR.	REVISIONS
		K	REVISED PER ECN# U6-0641 DRS 11/29/95
M	LEADFREE ECN# UCP2004-1998 DMORGAN 04/04/16	J	REVISED PER ECN# U5-0846 DRS 04/11/95
L	REVISED PER ECN U7-0417 SCHMIDG 96/11/08	I	REVISED PER ECN #U40676 DKS 6-24-94

3 PLACE	±	.010	---	---
2 PLACE	±	---	±	---
1 PLACE	---	±	---	---

DRIFT WHERE APPLICABLE MUST REMAIN WITHIN DIMENSIONS

DRWG. BY: CAB
CHK'D. BY:
APPR'D. BY: SCALE 4: 1

UNLESS OTHERWISE SPECIFIED TOLERANCES ANGULAR = 1/2°

DIMENSIONS SHOWN (METRIC) INCH

▽ = 0 ▼ = 0 REVISE ONLY ON CAD SYSTEM

TITLE
".050" PITCH LFH 160 CKT. RIGHT ANGLE I/O MALE SALES ASSEMBLY

MOLEX INCORPORATED U.S.A. SHEET NO. 1 OF 2 DATE 9/11/91

PART NO. SDA-71624-200* DRWG. NO.
SEE CHART

FILE NAME 57162421.DEN
MFG. SH. REV.

2	M
1	M
	MFG. SH. REV.

13 12 11 10 9 8 7 6 5 4 3 2 1

NOTES:

1) MATERIALS:

HOUSING: GLASS FILLED LCP (LIQUID CRYSTAL POLYMER),
UL 94V-0, COLOR: BLACK.
TAIL ALIGNER: GLASS FILLED LCP (LIQUID CRYSTAL POLYMER)
UL 94V-0, COLOR: BLACK.
MOLDED STICK: GLASS FILLED LCP (LIQUID CRYSTAL POLYMER)
UL 94V-0, COLOR: BLACK.
MALE CONTACT: PHOS. BRONZE .012±.0005 THICK.
OUTER SHELL: LOW CARBON STEEL.
THREADED INSERT: BRASS.

2) PLATING :

TERMINAL: .000030/(0.00076) MINIMUM GOLD IN SELECTIVE AREA;
.000100/(0.00254) TIN IN SELECTIVE AREA;
OVER NICKEL UNDERPLATE OVERALL.

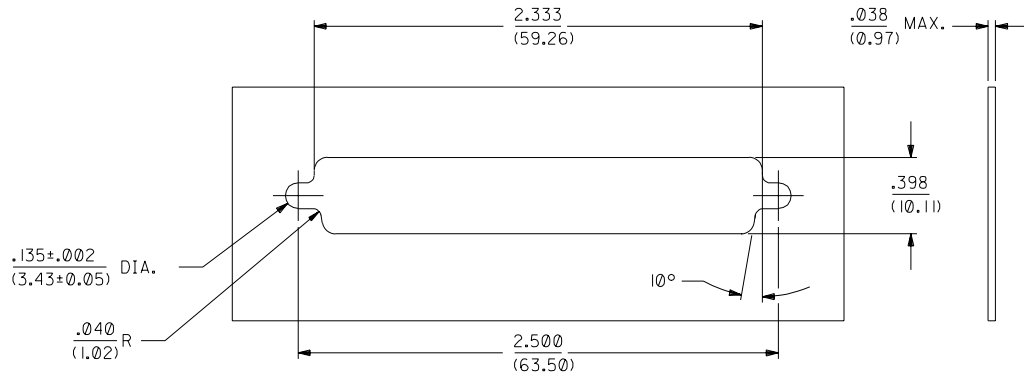
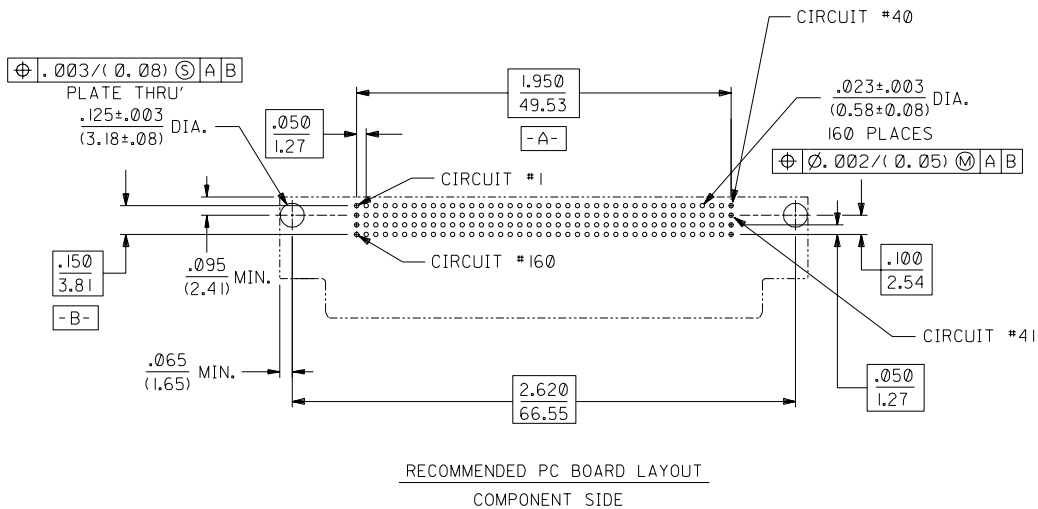
OUTER SHELL: .000150/(0.00381) MINIMUM TIN OVER
.000050/(0.00127) MINIMUM NICKEL OVER
COPPER FLASH (OPTIONAL).

3) THIS PART CONFORMS TO MOLEX PRODUCT SPECIFICATION PS-71626.

4) PACKAGING SPECIFICATION PK-70873-0224 APPLIES.

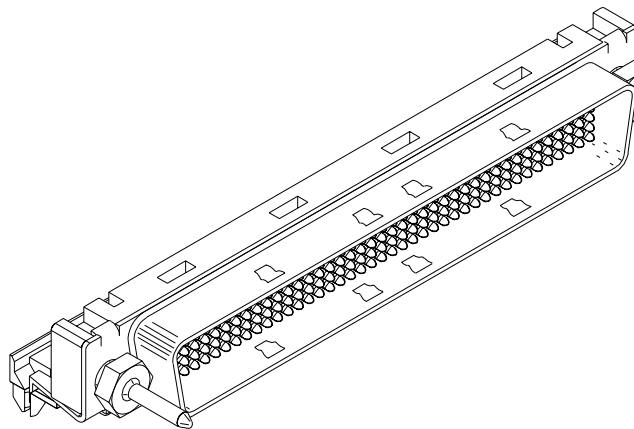
NOTE FOR LEAD FREE CONVERSION:

THE PRIMARY SHIPPING CARTON WILL BE
LABELED "COMPLIANT TO ROHS DIRECTIVE
2002/95/EC AND ELV ANNEX II OF
DIRECTIVE 2000/53/EC". CARTONS
WITHOUT THIS LABEL MAY CONTAIN
PRODUCT WITH LEAD.



PANEL CUT-OUT DIMENSIONS
ALL TOLERANCES ±.003/(0.08)
UNLESS OTHERWISE STATED.

FOR OPTIONAL HARDWARE DETAILS
SEE SDA-71628-*****



M		SEE SHEET I	DIMENSIONS SHOWN (METRIC) INCH		▽ = 0 ▼ = 0 REVISE ONLY ON CAD SYSTEM	
K		SEE SHEET I	UNLESS OTHERWISE SPECIFIED TOLERANCES: ANGULAR ± 1/2°		TITLE	
J		SEE SHEET I	3 PLACE ± .010 ---		.050" Pitch LFH 160 Ckt. Right Angle I/O Male Sales Assembly	
L.T.R.		REVISIONS	2 PLACE ± --- ± ---		MOLEX INCORPORATED SHEET NO. DATE	
			1 PLACE --- ± ---		LITSE,ILL. 60532 U.S.A. 2 9/12/91	
			DRAFT WHERE APPLICABLE MUST REMAIN WITHIN DIMENSIONS		PART NO. DRWG. NO.	
			DRWG. BY CAB CHK'D BY BIXLER		SEE SHEET I SDA-71624-200*	
			APPR'D BY CAB SCALE 2: 1		FILE NAME 57162422.DWG	
			THIS DRAWING CONTAINS INFORMATION THAT IS PROPRIETARY TO MOLEX INC. AND SHOULD NOT BE USED WITHOUT WRITTEN PERMISSION.		DIV. SIZE CD C	