



Chipsmall Limited consists of a professional team with an average of over 10 year of expertise in the distribution of electronic components. Based in Hongkong, we have already established firm and mutual-benefit business relationships with customers from,Europe,America and south Asia,supplying obsolete and hard-to-find components to meet their specific needs.

With the principle of “Quality Parts,Customers Priority,Honest Operation,and Considerate Service”,our business mainly focus on the distribution of electronic components. Line cards we deal with include Microchip,ALPS,ROHM,Xilinx,Pulse,ON,Everlight and Freescale. Main products comprise IC,Modules,Potentiometer,IC Socket,Relay,Connector.Our parts cover such applications as commercial,industrial, and automotives areas.

We are looking forward to setting up business relationship with you and hope to provide you with the best service and solution. Let us make a better world for our industry!



## Contact us

Tel: +86-755-8981 8866 Fax: +86-755-8427 6832

Email & Skype: info@chipsmall.com Web: www.chipsmall.com

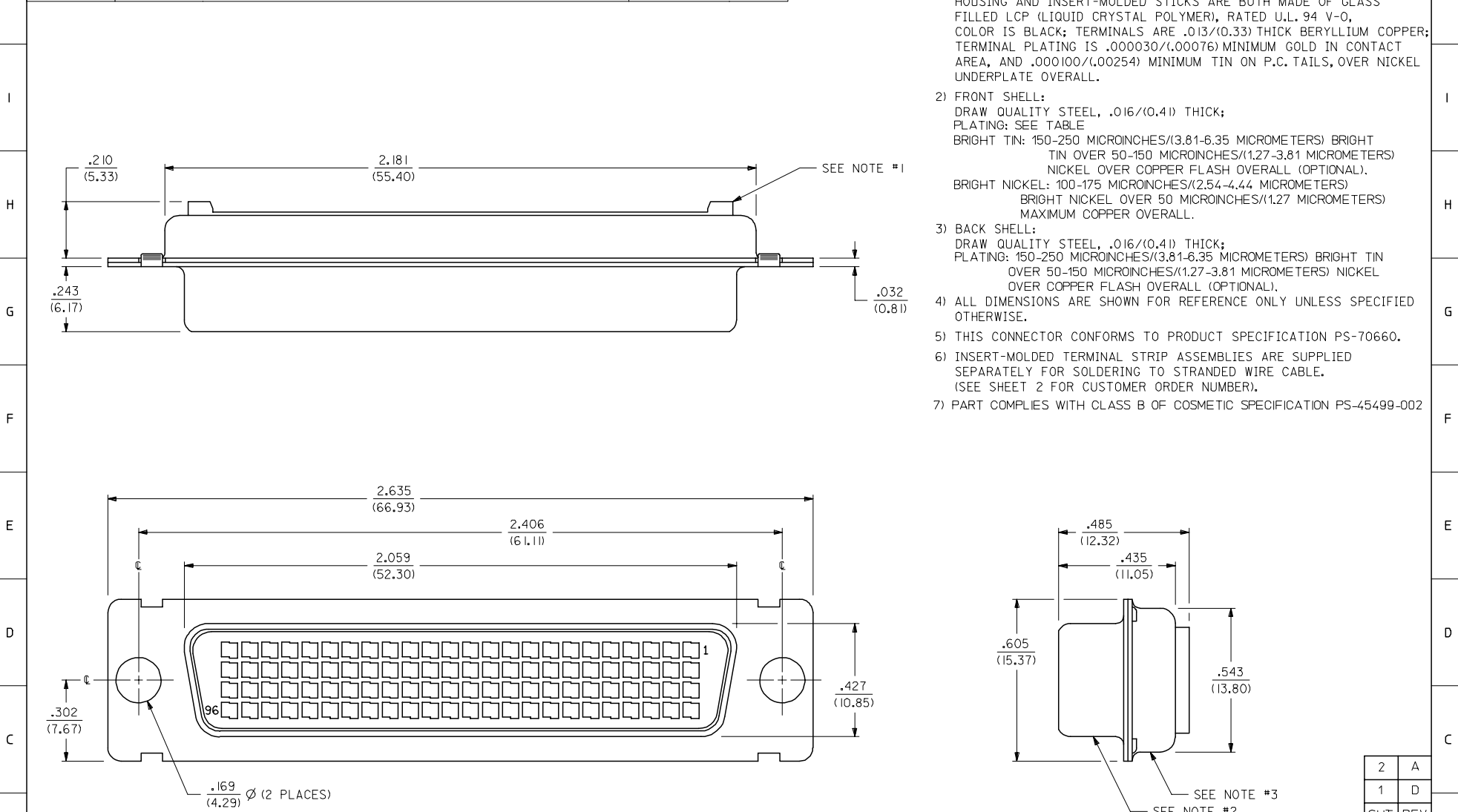
Address: A1208, Overseas Decoration Building, #122 Zhenhua RD., Futian, Shenzhen, China



EDP NUMBER	PRODUCT DESCRIPTION	FRONT SHELL PLATING
051-26-0002	RECEPT. CONNECTOR SUB-ASSEMBLY (FRONT SHELL-HOUSING-BACK SHELL) ONLY	BRIGHT TIN
70660-8002	RECEPT. CONNECTOR SUB-ASSEMBLY (FRONT SHELL-HOUSING-BACK SHELL) ONLY	BRIGHT NICKEL

**NOTES:**

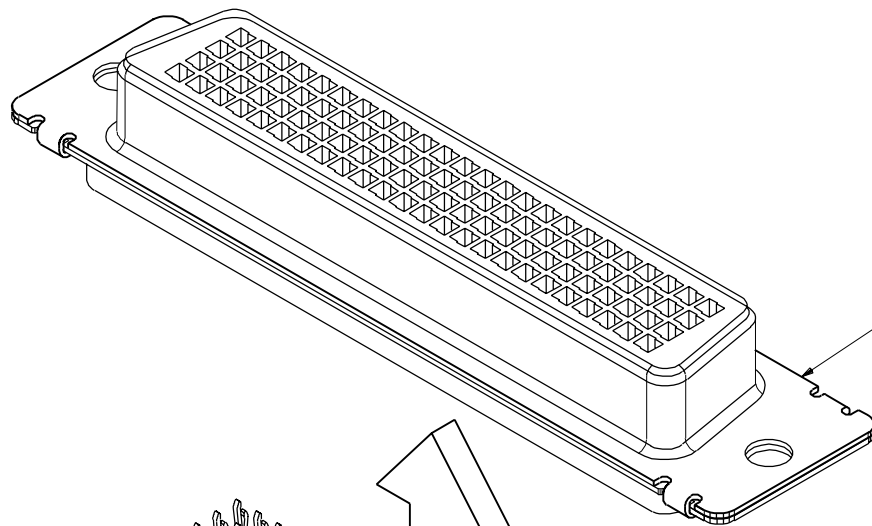
- CONNECTOR MATERIALS:  
HOUSING AND INSERT-MOLDED STICKS ARE BOTH MADE OF GLASS FILLED LCP (LIQUID CRYSTAL POLYMER), RATED U.L. 94 V-0, COLOR IS BLACK; TERMINALS ARE .013/(0.33) THICK BERYLLIUM COPPER; TERMINAL PLATING IS .000030/(.00076) MINIMUM GOLD IN CONTACT AREA, AND .000100/(.00254) MINIMUM TIN ON P.C. TAILS, OVER NICKEL UNDERPLATE OVERALL.
- FRONT SHELL:  
DRAW QUALITY STEEL, .016/(0.41) THICK;  
PLATING: SEE TABLE  
BRIGHT TIN: 150-250 MICRONS/(3.81-6.35 MICROMETERS) BRIGHT TIN OVER 50-150 MICRONS/(1.27-3.81 MICROMETERS) NICKEL OVER COPPER FLASH OVERALL (OPTIONAL).  
BRIGHT NICKEL: 100-175 MICRONS/(2.54-4.44 MICROMETERS) BRIGHT NICKEL OVER 50 MICRONS/(1.27 MICROMETERS) MAXIMUM COPPER OVERALL.
- BACK SHELL:  
DRAW QUALITY STEEL, .016/(0.41) THICK;  
PLATING: 150-250 MICRONS/(3.81-6.35 MICROMETERS) BRIGHT TIN OVER 50-150 MICRONS/(1.27-3.81 MICROMETERS) NICKEL OVER COPPER FLASH OVERALL (OPTIONAL).
- ALL DIMENSIONS ARE SHOWN FOR REFERENCE ONLY UNLESS SPECIFIED OTHERWISE.
- THIS CONNECTOR CONFORMS TO PRODUCT SPECIFICATION PS-70660.
- INSERT-MOLDED TERMINAL STRIP ASSEMBLIES ARE SUPPLIED SEPARATELY FOR SOLDERING TO STRANDED WIRE CABLE. (SEE SHEET 2 FOR CUSTOMER ORDER NUMBER).
- PART COMPLIES WITH CLASS B OF COSMETIC SPECIFICATION PS-45499-002



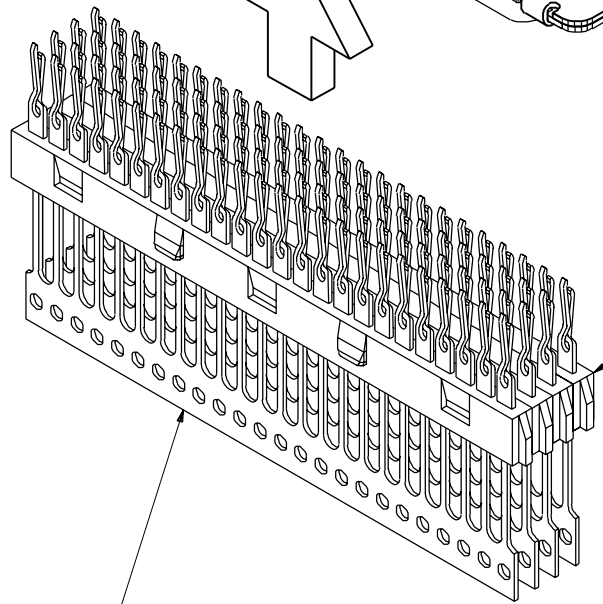
2	A
1	D
SHT	REV

NOTE FOR LEAD FREE CONVERSION:  
THE PRIMARY SHIPPING CARTON WILL BE LABELED "COMPLIANT TO RoHS DIRECTIVE 2002/95/EC AND ELV ANNEX II OF DIRECTIVE 2000/53/EC". CARTONS WITHOUT THIS LABEL MAY CONTAIN PRODUCT WITH LEAD.

<b>ADD NOTE 7</b> EC NO: UCP2006-3051 2006/07/10 DRAWN BY: BARRA 2006/07/10 CHKD: BORGAN 2006/07/10 APPR: SMILLER 2006/07/11	QUALITY SYMBOLS ▽=0 ▽=0	GENERAL TOLERANCES (UNLESS SPECIFIED)		DIMENSION STYLE IN/MM		SCALE 4:1	DESIGN UNITS INCH	THIRD ANGLE PROJECTION	
		4 PLACES ± --- ± --- 3 PLACES ± --- ± --- 2 PLACES ± --- ± --- 1 PLACE ± --- ± ---	mm INCH	DRAWN BY SCHMIDGALL	DATE 93/04/21	TITLE LFH .075 PITCH, 96 CKT. VERTICAL I/O RECEPTACLE CONNECTOR FOR CABLE			
		ANGULAR ±1/2°		CHECKED BY CAB	DATE 93/04/21	APPROVED BY CAB			
		DRAFT WHERE APPLICABLE MUST REMAIN WITHIN DIMENSIONS		MATERIAL NO. SEE TABLE	DATE 93/04/21	MOLEX INCORPORATED		DOCUMENT NO. SDA-70660-2001	SHEET NO. 1 OF 2



RECEPTACLE CONNECTOR  
SUB-ASSEMBLY (AS SHOWN ON SHEET 1)



INSERT-MOLDED STICKS  
SUPPLIED SEPARATELY  
CUSTOMER ORDER NUMBER: 051-24-1004  
(SEE SALES DRAWING: SDA-71988-4001)

NOTE: CARRIER TO BE REMOVED PRIOR  
TO FASTENING CABLE BY CUSTOMER

70660

MFG. SH. REV.

LTR.	REVISIONS	LTR.	REVISIONS
		A	SEE SHEET 1

DIMENSIONS SHOWN (METRIC) INCH	
UNLESS OTHERWISE SPECIFIED TOLERANCES: ANGULAR ± 1/2°	
3 PLACE ±	INCH METRIC
2 PLACE ±	±
1 PLACE	±
DRAFT WHERE APPLICABLE MUST REMAIN WITHIN DIMENSIONS	
DRWG. BY: SCHMIDGALL	CHK'D. BY: CAB
APP'D. BY: CAB	SCALE: 4 : 1

▽ = 0	▼ = 0	REVISE ONLY ON CAD SYSTEM	
TITLE LFH, .075 PITCH, 96 CKT., VERTICAL I/O RECEPT. CONNECTOR FOR CABLE (SALES DRAWING)			
MOLEX INCORPORATED		SHEET NO. 2	DATE 04/21/93
L15LE,ILL. 60532 U.S.A.			
PART NO. SEE CHART	DRWG. NO. SDA-70660-2001		
THIS DRAWING CONTAINS INFORMATION THAT IS PROPRIETARY TO MOLEX INC. AND SHOULD NOT BE USED WITHOUT WRITTEN PERMISSION.		DIV. CPP	SIZE C