



Chipsmall Limited consists of a professional team with an average of over 10 year of expertise in the distribution of electronic components. Based in Hongkong, we have already established firm and mutual-benefit business relationships with customers from,Europe,America and south Asia,supplying obsolete and hard-to-find components to meet their specific needs.

With the principle of "Quality Parts,Customers Priority,Honest Operation,and Considerate Service",our business mainly focus on the distribution of electronic components. Line cards we deal with include Microchip,ALPS,ROHM,Xilinx,Pulse,ON,Everlight and Freescale. Main products comprise IC,Modules,Potentiometer,IC Socket,Relay,Connector.Our parts cover such applications as commercial,industrial, and automotives areas.

We are looking forward to setting up business relationship with you and hope to provide you with the best service and solution. Let us make a better world for our industry!



## Contact us

Tel: +86-755-8981 8866 Fax: +86-755-8427 6832

Email & Skype: info@chipsmall.com Web: www.chipsmall.com

Address: A1208, Overseas Decoration Building, #122 Zhenhua RD., Futian, Shenzhen, China

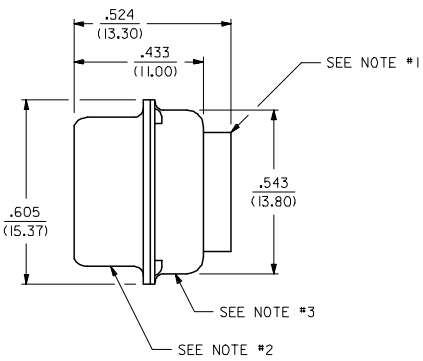
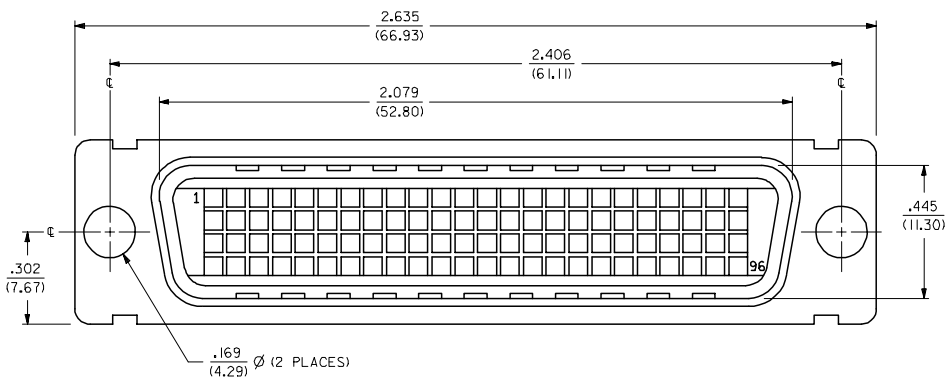
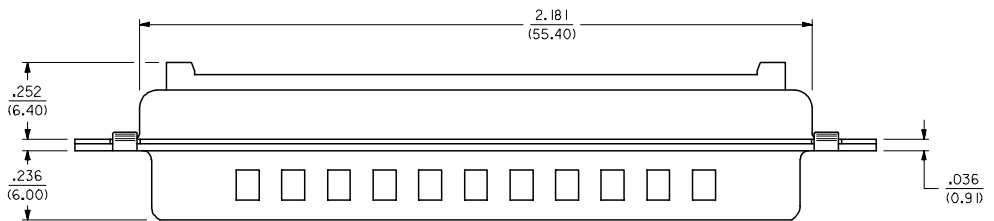


20 19 18 17 16 15 14 13 12 11 10 9 8 7 6 5 4 3 2 1

**NOTES:**

- 1) CONNECTOR MATERIALS:  
HOUSING AND INSERT-MOLDED STICKS ARE BOTH MADE OF GLASS FILLED LCP (LIQUID CRYSTAL POLYMER), RATED U.L. 94 V-0, COLOR IS BLACK; TERMINALS ARE .018/(0.46) THICK PHOSPHOR BRONZE; TERMINAL PLATING IS .000030/(.00076) MINIMUM GOLD IN CONTACT AREA, OVER .000100/(.00254) MINIMUM TIN ON P.C. TAILS, OVER NICKEL UNDERPLATE OVERALL.
- 2) FRONT SHELL:  
DRAW QUALITY STEEL, .020/(0.51) THICK;  
PLATING: SEE TABLE  
BRIGHT TIN: 150-250 MICRONS/(3.81-6.35 MICROMETERS) BRIGHT TIN OVER 50-150 MICRONS/(1.27-3.81 MICROMETERS) NICKEL OVER COPPER FLASH OVERALL (OPTIONAL).  
BRIGHT NICKEL: 100-175 MICRONS/(2.54-4.44 MICROMETERS) BRIGHT NICKEL OVER 50 MICRONS/(1.27 MICROMETERS) MAXIMUM COPPER OVERALL.
- 3) BACK SHELL:  
DRAW QUALITY STEEL, .016/(0.41) THICK;  
PLATING: 150-250 MICRONS/(3.81-6.35 MICROMETERS) BRIGHT TIN OVER 50-150 MICRONS/(1.27-3.81 MICROMETERS) NICKEL OVER COPPER FLASH OVERALL (OPTIONAL).
- 4) ALL DIMENSIONS ARE SHOWN FOR REFERENCE ONLY UNLESS SPECIFIED OTHERWISE.
- 5) THIS CONNECTOR CONFORMS TO PRODUCT SPECIFICATION PS-70660.
- 6) INSERT-MOLDED TERMINAL STRIP ASSEMBLIES ARE SUPPLIED SEPARATELY FOR SOLDERING TO STRANDED WIRE CABLE. (SEE SHEET 2 FOR CUSTOMER ORDER NUMBER).

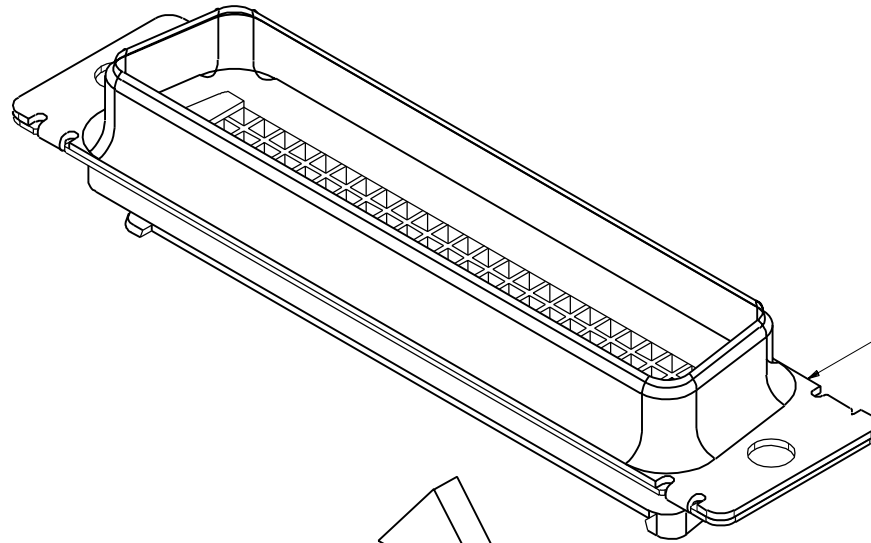
**NOTE FOR LEAD FREE CONVERSION:**  
THE PRIMARY SHIPPING CARTON WILL BE LABELED 'COMPLIANT TO RoHS DIRECTIVE 2002/95/EC AND ELV ANNEX II OF DIRECTIVE 2000/53/EC'. CARTONS WITHOUT THIS LABEL MAY CONTAIN PRODUCT WITH LEAD.



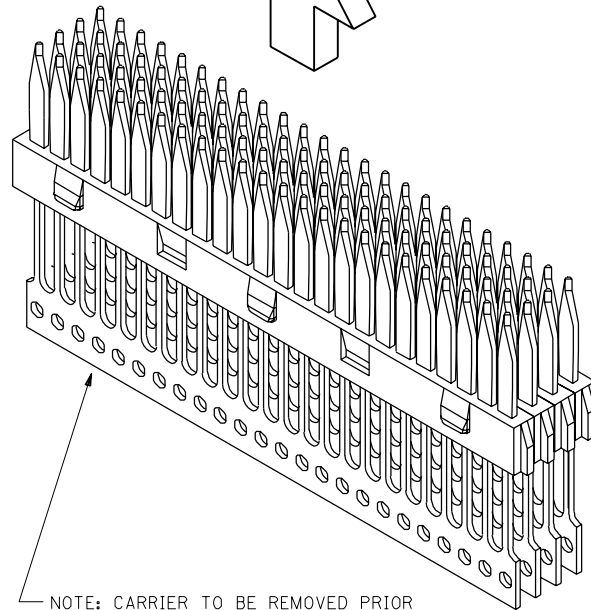
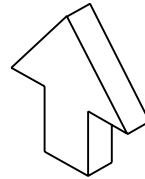
2	B
1	D
SHT	REV

70665-2009	PLUG CONNECTOR SUB-ASSEMBLY (FRONT SHELL-HOUSING-BACK SHELL) ONLY	BRIGHT NICKEL
051-26-0012	PLUG CONNECTOR SUB-ASSEMBLY (FRONT SHELL-HOUSING-BACK SHELL) ONLY	BRIGHT TIN
CUSTOMER ORDERING NO.	PRODUCT DESCRIPTION	FRONT SHELL PLATING

ADD 70665-2009 EC NO: UCP2006-0666 DRWNSI BARRA 2006/07/06 CHKCDMORGAN 2006/07/07 APPR: SHILLER 2006/07/09	QUALITY SYMBOLS	GENERAL TOLERANCES (UNLESS SPECIFIED)	DIMENSION STYLE	SCALE	DESIGN UNITS	THIRD ANGLE PROJECTION
	▽=0 ▽=0	mm INCH 4 PLACES ± --- ± --- 3 PLACES ± --- ± --- 2 PLACES ± --- ± --- 1 PLACE ± --- ± --- ANGULAR ±1/2°	IN/MM DRAWN BY DATE SCHMIDGALL 93/04/21 CHECKED BY DATE CAB 93/04/21 APPROVED BY DATE CAB 93/04/21	5:1	INCH	TITLE LFH .075 PITCH, 96 CKT. VERT. I/O PLUG (SALES)
	DRAFT WHERE APPLICABLE MUST REMAIN WITHIN DIMENSIONS	SEE TABLE	MATERIAL NO.	DOCUMENT NO.	MOLEX INCORPORATED SDA-70665-2001	
	SIZE D	THIS DRAWING CONTAINS INFORMATION THAT IS PROPRIETARY TO MOLEX INCORPORATED AND SHOULD NOT BE USED WITHOUT WRITTEN PERMISSION				



PLUG CONNECTOR  
SUB-ASSEMBLY (AS SHOWN ON SHEET 1)



INSERT-MOLDED STICKS  
SUPPLIED SEPARATELY  
CUSTOMER ORDER NUMBER: 051-25-1005  
(SEE SALES DRAWING: SDA-71989-4001)

NOTE: CARRIER TO BE REMOVED PRIOR  
TO FASTENING CABLE BY CUSTOMER

70665

MFG. SH. REV.

		B	SEE SHEET 1
LTR.	REVISIONS	LTR.	REVISIONS

DIMENSIONS SHOWN (METRIC) INCH	
UNLESS OTHERWISE SPECIFIED TOLERANCES: ANGULAR ± 1/2°	
3 PLACE ±	INCH METRIC
2 PLACE ±	±
1 PLACE ±	±
DRAFT WHERE APPLICABLE MUST REMAIN WITHIN DIMENSIONS	
DRAWN BY: SCHMIDGALL	CHK'D BY: CAB
APP'D BY: CAB	SCALE: 4 : 1

▽ = 0	▼ = 0	REVISE ONLY ON CAD SYSTEM	
TITLE: LFH, .075 PITCH, 96 CKT., VERTICAL I/O PLUG CONNECTOR FOR CABLE (SALES DRAWING)			
MOLEX INCORPORATED		SHEET NO. 2	DATE 04/21/93
L15LE.ILL. 60532 U.S.A.			
PART NO. SEE CHART		DRWG. NO. SDA-70665-2001	
FILE NAME: S070665-009.DGN		DIV. CPP	
THIS DRAWING CONTAINS INFORMATION THAT IS PROPRIETARY TO MOLEX INC. AND SHOULD NOT BE USED WITHOUT WRITTEN PERMISSION.			