



Chipsmall Limited consists of a professional team with an average of over 10 year of expertise in the distribution of electronic components. Based in Hongkong, we have already established firm and mutual-benefit business relationships with customers from,Europe,America and south Asia,supplying obsolete and hard-to-find components to meet their specific needs.

With the principle of “Quality Parts,Customers Priority,Honest Operation,and Considerate Service”,our business mainly focus on the distribution of electronic components. Line cards we deal with include Microchip,ALPS,ROHM,Xilinx,Pulse,ON,Everlight and Freescale. Main products comprise IC,Modules,Potentiometer,IC Socket,Relay,Connector.Our parts cover such applications as commercial,industrial, and automotives areas.

We are looking forward to setting up business relationship with you and hope to provide you with the best service and solution. Let us make a better world for our industry!



Contact us

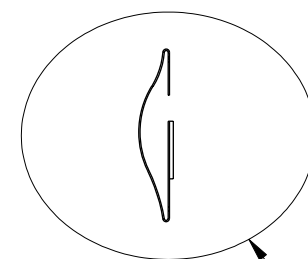
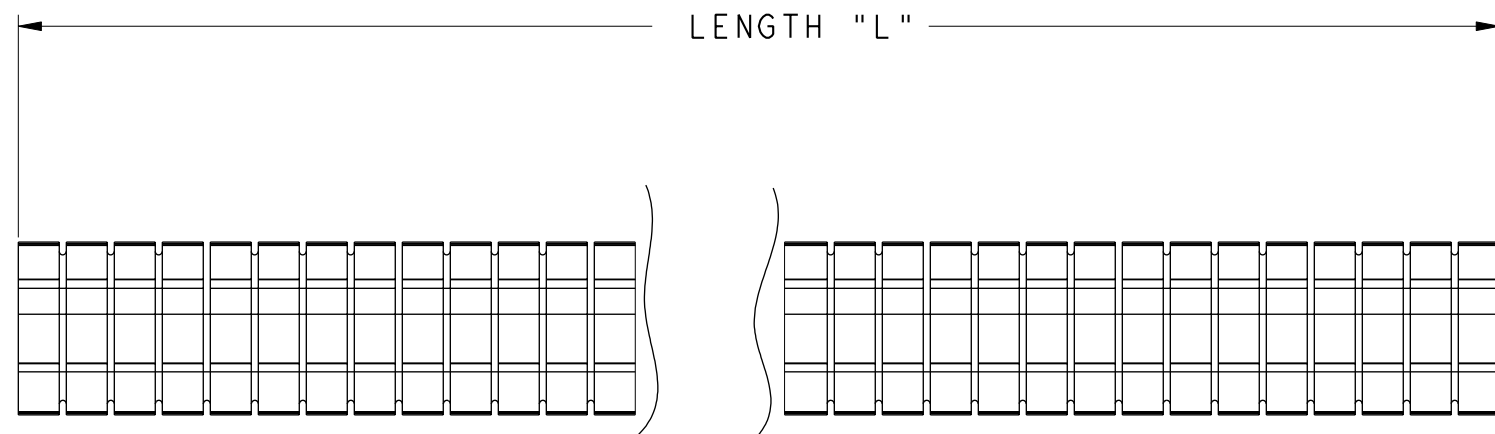
Tel: +86-755-8981 8866 Fax: +86-755-8427 6832

Email & Skype: info@chipsmall.com Web: www.chipsmall.com

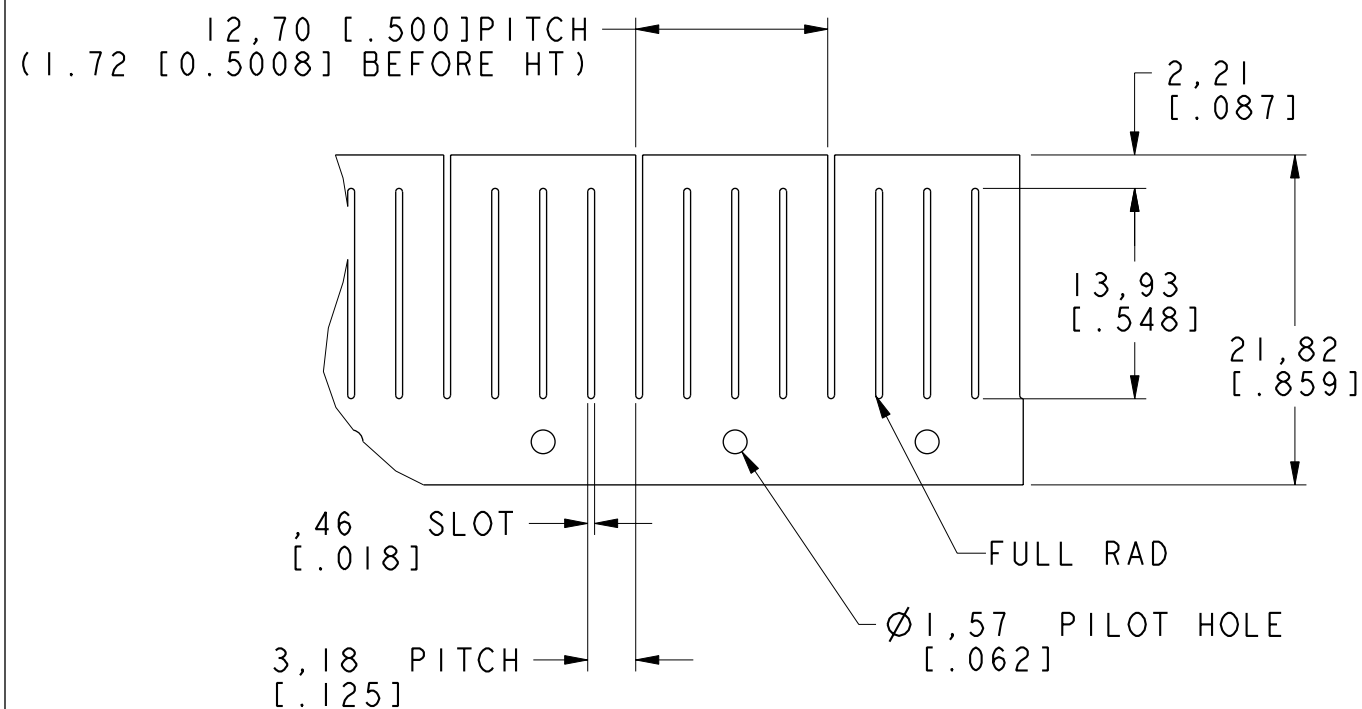
Address: A1208, Overseas Decoration Building, #122 Zhenhua RD., Futian, Shenzhen, China



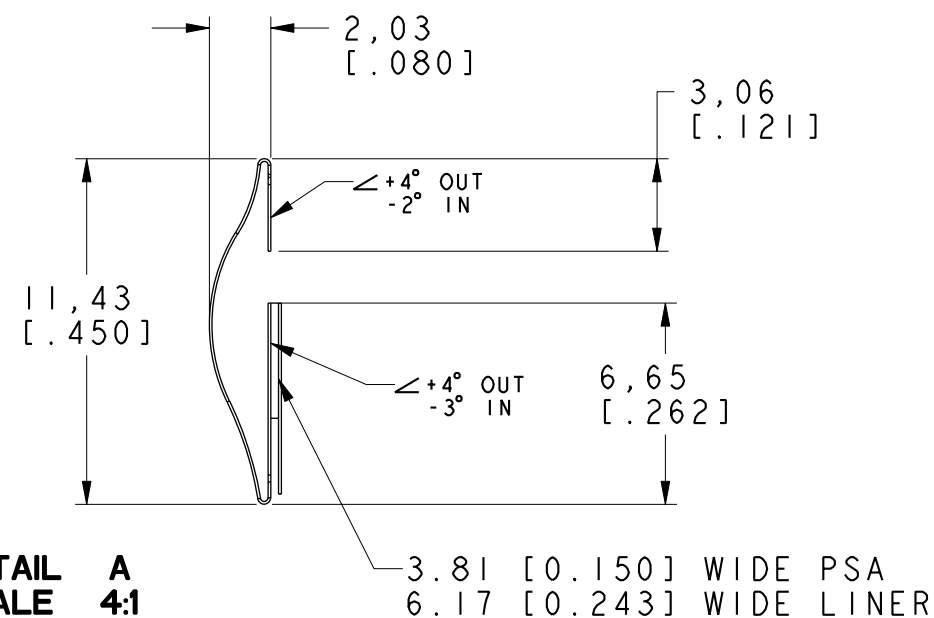
DWG. NO.	0077-0043	
REVISIONS		
ECO-E731 & E766. ADDED TAPE, PILOT HOLES, AND HT SHRINKAGE. DELETED WIDTH. RKM 02/25/99 EWS 3/1/99		02
REMOVED 1/2 SLOT FROM BOTH ENDS 15.982±.025 LENGTH WAS 16.000±.187 ECO - #E792 AD 03/10/99 EWS 03/15/99		03
ADDED EXTENDED LINER TO PSA ON DRAWING ECO #E870 AD 04/29/99 EWS 04/29/99		04
ADDED ANGULAR TOLERANCE ON LEGS ECO #E940 AD 06/03/99 EWS 06-07-99		05
ECO-E5841 UPDATED TOL BLOCK SDH 03/06/07 EWS 03/06/07		06



SEE DETAIL A



FLAT PATTERN
SCALE 2:1
TOL.± 0.013 [0.0005] ON
ALL DIMENSIONS



DETAIL A
SCALE 4:1

MATERIAL: 0.09 [0.0035] ±0.005 [0.0002] BeCu ALLOY 25 1/4 HARD	TOLERANCES NOT SHOWN DECIMAL 2 PL'S ± .25 [0.010] DECIMAL 3 PL'S ± .127 [0.005]	 DELAWARE WATER GAP PENNSYLVANIA	DRAWN BY: JAS	DATE: 12/22/98
HEAT TREAT: TO DPH 383 MIN USING A 500 GRAM LOAD	ANGULAR ± 3°		CHECKED: EWS	DATE: 12/22/98
THICKNESS AFTER: CLEANING 0.08 [0.0031] MIN	THIRD ANGLE PROJECTION	APPROVED: DATE:		
FINISH: AS REQUIRED	UNITS: MM [INCH] SCALE: 2:1	LAIRD STANDARD		
CAD MAINTAINED DRAWING. MANUAL CHANGES UNAUTHORIZED.		REF. DWG NO.	DWG. NO. 0077-0043	REV 06
		SHEET 1 OF 1		

THIS INFORMATION IS CONFIDENTIAL AND PROPRIETARY TO LAIRD TECHNOLOGIES. IT MAY NOT BE DISCLOSED TO ANYONE, OTHER THAN LAIRD TECHNOLOGIES PERSONNEL, WITHOUT WRITTEN AUTHORIZATION FROM LAIRD TECHNOLOGIES.

DWG. NO. 0077-0043