



Chipsmall Limited consists of a professional team with an average of over 10 year of expertise in the distribution of electronic components. Based in Hongkong, we have already established firm and mutual-benefit business relationships with customers from,Europe,America and south Asia,supplying obsolete and hard-to-find components to meet their specific needs.

With the principle of “Quality Parts,Customers Priority,Honest Operation,and Considerate Service”,our business mainly focus on the distribution of electronic components. Line cards we deal with include Microchip,ALPS,ROHM,Xilinx,Pulse,ON,Everlight and Freescale. Main products comprise IC,Modules,Potentiometer,IC Socket,Relay,Connector.Our parts cover such applications as commercial,industrial, and automotives areas.

We are looking forward to setting up business relationship with you and hope to provide you with the best service and solution. Let us make a better world for our industry!



## Contact us

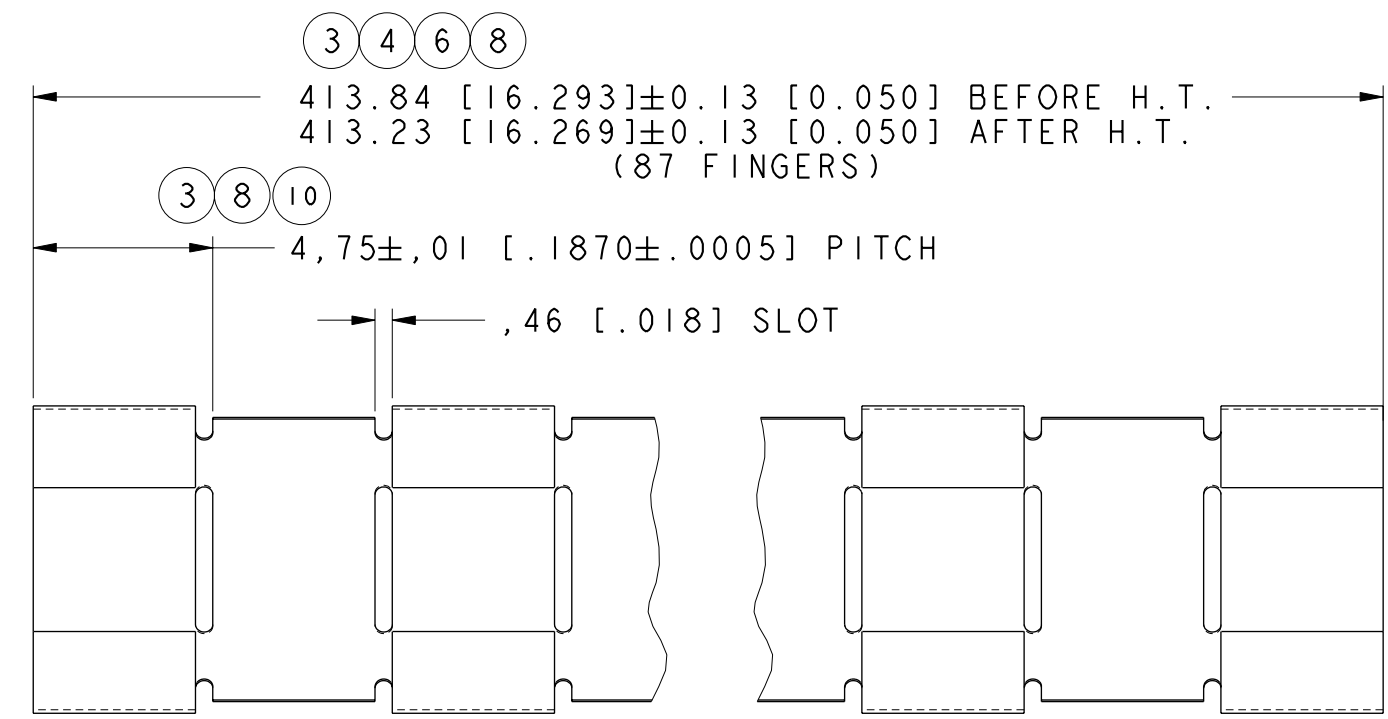
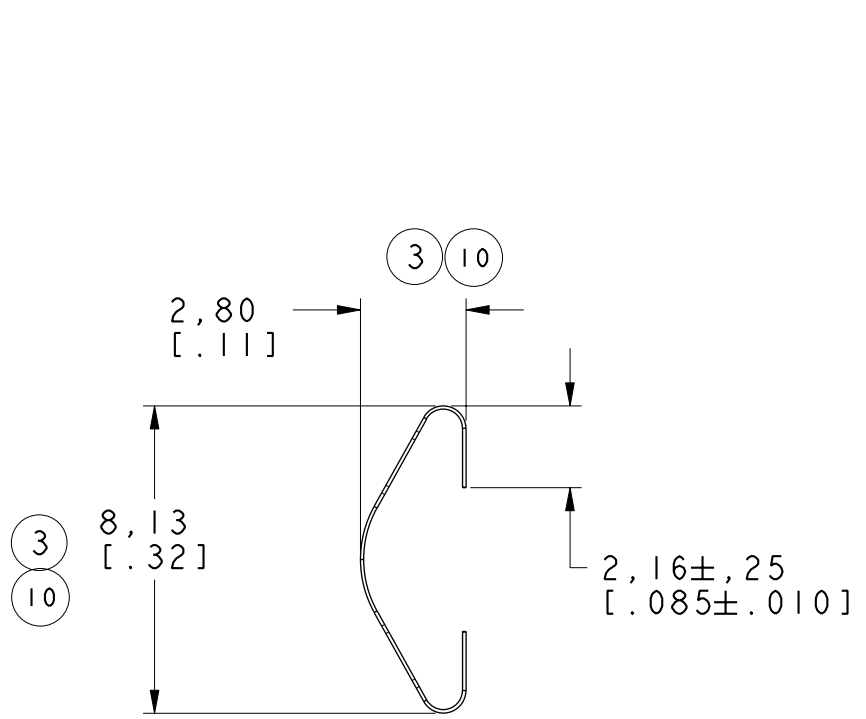
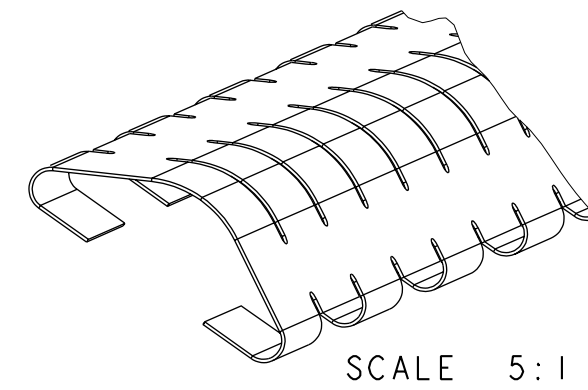
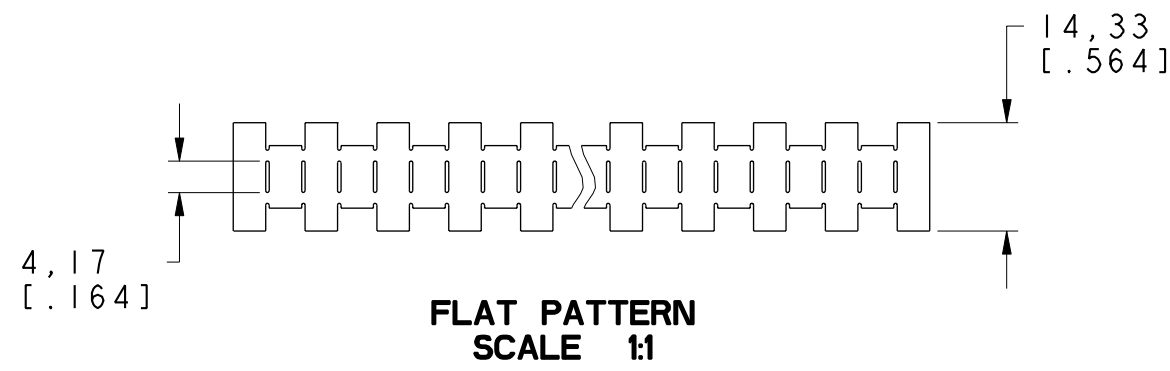
Tel: +86-755-8981 8866 Fax: +86-755-8427 6832

Email & Skype: info@chipsmall.com Web: www.chipsmall.com

Address: A1208, Overseas Decoration Building, #122 Zhenhua RD., Futian, Shenzhen, China



DWG. NO.	0077-0056-02	
REVISIONS		
ECO-E1787 ADDED TOLERANCE 2 PL DECIMAL WAS 3PL RKM 07/21/00 EWS 7-25-00		03
ECO-E1982 ADDED BEFORE AND AFTER H.T. DIMENSIONS. RKM 11/13/00 EWS 11/14/00		04
ECO-E2637 ±.015 WAS ±.005 RKM 12/04/01 EWS 12/04/01		05
ECO-E2711 16.275 WAS 16.293 16.250 WAS 16.269. RKM 01/28/02 EWS 01/28/02		06
ECO-E4029 REMOVED MATERIAL WIDTH SDH 09/11-03 EWS 09/26/03		07
ECO-E5062 ADDED H.T. SPECS. FROM REV 07 RKM 06/29/05 EWS 06/29/05		08
ECO-E5541 ADDED ±.010 TOL TO .085 DIM SDH 08/23/06 EWS 08/24/06		09
ECO-E5864 .32 WAS .320 .11 WAS .110 .0005 PITCH TOL. WAS .005.RKM 03/23/07. EWS 03/26/07		10



THIS INFORMATION IS CONFIDENTIAL AND PROPRIETARY TO LAIRD TECHNOLOGIES.  
IT MAY NOT BE DISCLOSED TO ANYONE, OTHER THAN LAIRD TECHNOLOGIES  
PERSONNEL, WITHOUT WRITTEN AUTHORIZATION FROM LAIRD TECHNOLOGIES.

DWG. NO. 0077-0056-02

MATERIAL: 0.09 [0.0035]±.0005 [0.0002] THICK BeCu ALLOY 25 1/4 HARD	TOLERANCES NOT SHOWN DECIMAL 2 PL'S ± 0.50 [0.020] DECIMAL 3 PL'S ± 0.38 [0.015]	<p>DELAWARE WATER GAP PENNSYLVANIA</p>	DRAWN BY: AD	DATE: 05/18/99
HEAT TREAT: TO DPH 373 MIN USING A 500 GRAM LOAD	ANGULAR ± ---		CHECKED: ES	DATE: 12/04/01
THICKNESS AFTER: CLEANING AND BEFORE PLATING 0.08 [0.00315] MIN.	THIRD ANGLE PROJECTION	APPROVED: EWS	DATE: 05/26/99	
FINISH: BRIGHT FINISH	UNITS: MM [INCH] SCALE: 5:1	LAIRD STANDARD		
CAD MAINTAINED DRAWING. MANUAL CHANGES UNAUTHORIZED.		REF. DWG NO. 0077-0010-01	DWG. NO. 0077-0056-02	REV 10
		SHEET 1 OF 1		