



Chipsmall Limited consists of a professional team with an average of over 10 year of expertise in the distribution of electronic components. Based in Hongkong, we have already established firm and mutual-benefit business relationships with customers from,Europe,America and south Asia,supplying obsolete and hard-to-find components to meet their specific needs.

With the principle of “Quality Parts,Customers Priority,Honest Operation,and Considerate Service”,our business mainly focus on the distribution of electronic components. Line cards we deal with include Microchip,ALPS,ROHM,Xilinx,Pulse,ON,Everlight and Freescale. Main products comprise IC,Modules,Potentiometer,IC Socket,Relay,Connector.Our parts cover such applications as commercial,industrial, and automotives areas.

We are looking forward to setting up business relationship with you and hope to provide you with the best service and solution. Let us make a better world for our industry!



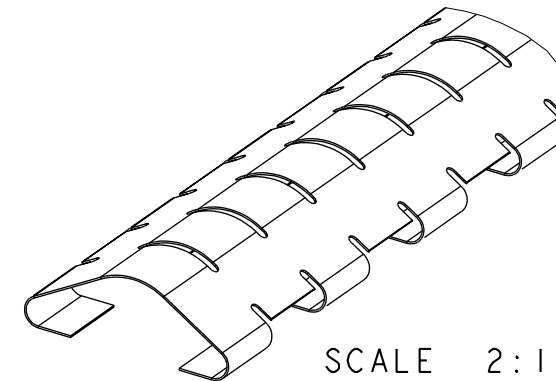
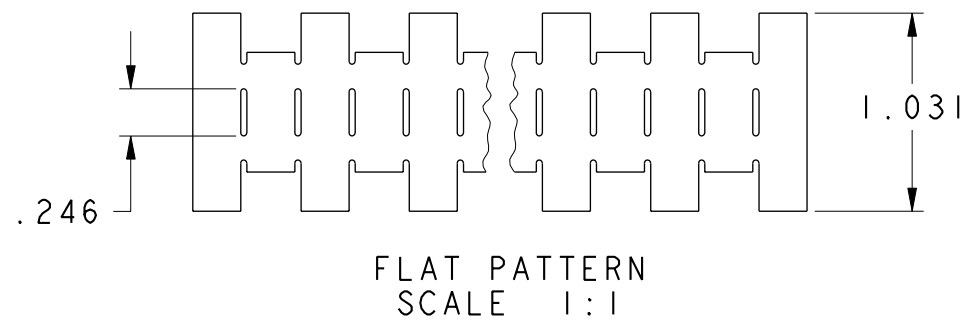
## Contact us

Tel: +86-755-8981 8866 Fax: +86-755-8427 6832

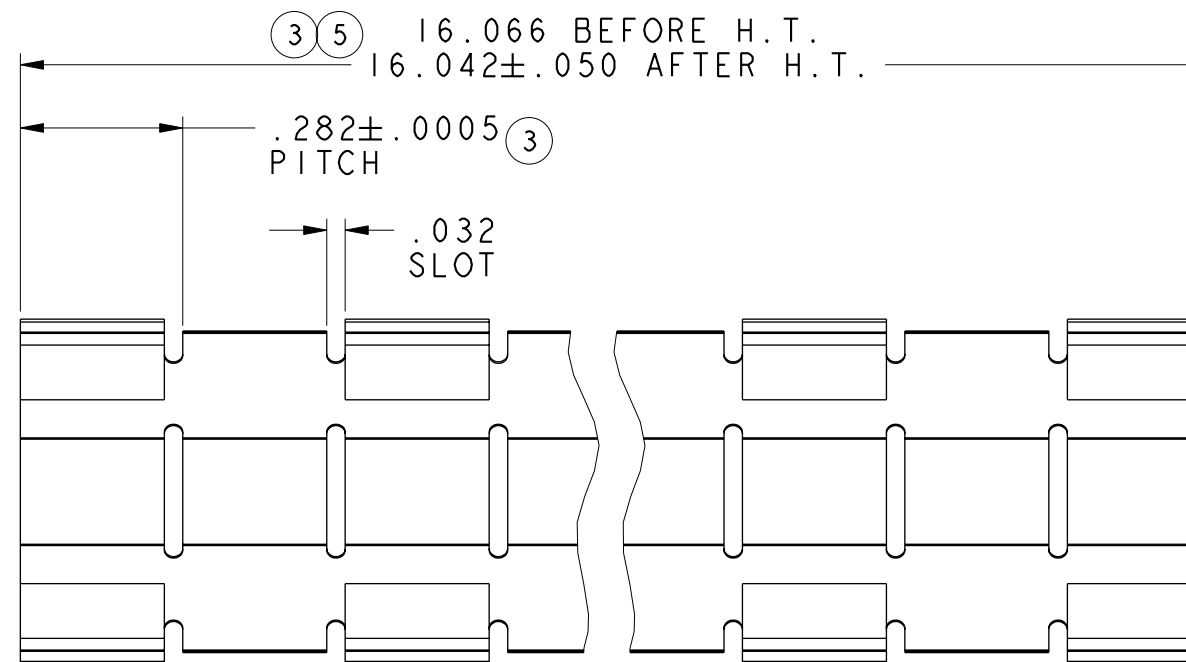
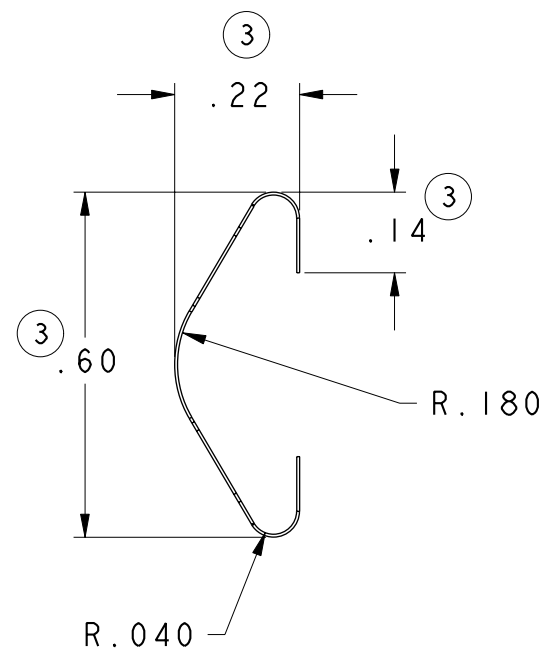
Email & Skype: info@chipsmall.com Web: www.chipsmall.com

Address: A1208, Overseas Decoration Building, #122 Zhenhua RD., Futian, Shenzhen, China






DWG. NO. 0077-0057-02	
REVISIONS	
ECO-E984 REMOVED RADIUS FROM FINGER ENDS. AD 06/16/99 EWS 06/17/99	02
ECO-E1787 ADDED TOL'S. 2PL DIM'S WAS 3PL RKM 07/21/00 EWS 7-25-00	03
ECO-E2637 ±.015 WAS ±.005 RKM 12/04/01 EWS 12/04/01	04
ECO-E2711 16.066 WAS 16.00. ADDED 16.042 RKM 01/28/02 EWS 01/28/02	05
ECO-E5328 REMOVED MATERIAL WIDTH SDH 02/22/06 EWS 03/02/06	06



THIS INFORMATION IS CONFIDENTIAL AND PROPRIETARY TO LAIRD TECHNOLOGIES.  
IT MAY NOT BE DISCLOSED TO ANYONE, OTHER THAN LAIRD TECHNOLOGIES  
PERSONNEL, WITHOUT WRITTEN AUTHORIZATION FROM LAIRD TECHNOLOGIES.

DWG. NO.  
0077-0057-02

MATERIAL: .005±.0002 THICK BeCu ALLOY 25 1/4 HARD (6)	TOLERANCES NOT SHOWN		 DELAWARE WATER GAP PENNSYLVANIA	DRAWN BY: AD	DATE: 05/18/99
	HEAT TREAT: TO DPH 373 MIN USING A 500 GRAM LOAD	DECIMAL 2 PL'S ± .020		DECIMAL 3 PL'S ± .015 (4)	CHECKED: ES
THICKNESS AFTER CLEANING & BEFORE PLATING .0046 MIN.	ANGULAR ± ---	THIRD ANGLE PROJECTION	APPROVED: EWS	DATE: 05/26/99	
FINISH: BRIGHT FINISH	UNITS: INCH [MM]	SCALE: 3:1	REF. DWG NO. 0077-0011-01		
CAD MAINTAINED DRAWING. MANUAL CHANGES UNAUTHORIZED. (P)			DWG. NO. 0077-0057-02	REV 06	
			SHEET 1 OF 1		