



Chipsmall Limited consists of a professional team with an average of over 10 year of expertise in the distribution of electronic components. Based in Hongkong, we have already established firm and mutual-benefit business relationships with customers from,Europe,America and south Asia,supplying obsolete and hard-to-find components to meet their specific needs.

With the principle of “Quality Parts,Customers Priority,Honest Operation,and Considerate Service”,our business mainly focus on the distribution of electronic components. Line cards we deal with include Microchip,ALPS,ROHM,Xilinx,Pulse,ON,Everlight and Freescale. Main products comprise IC,Modules,Potentiometer,IC Socket,Relay,Connector.Our parts cover such applications as commercial,industrial, and automotives areas.

We are looking forward to setting up business relationship with you and hope to provide you with the best service and solution. Let us make a better world for our industry!



Contact us

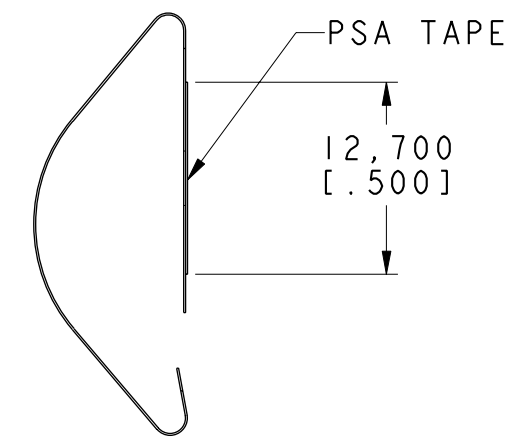
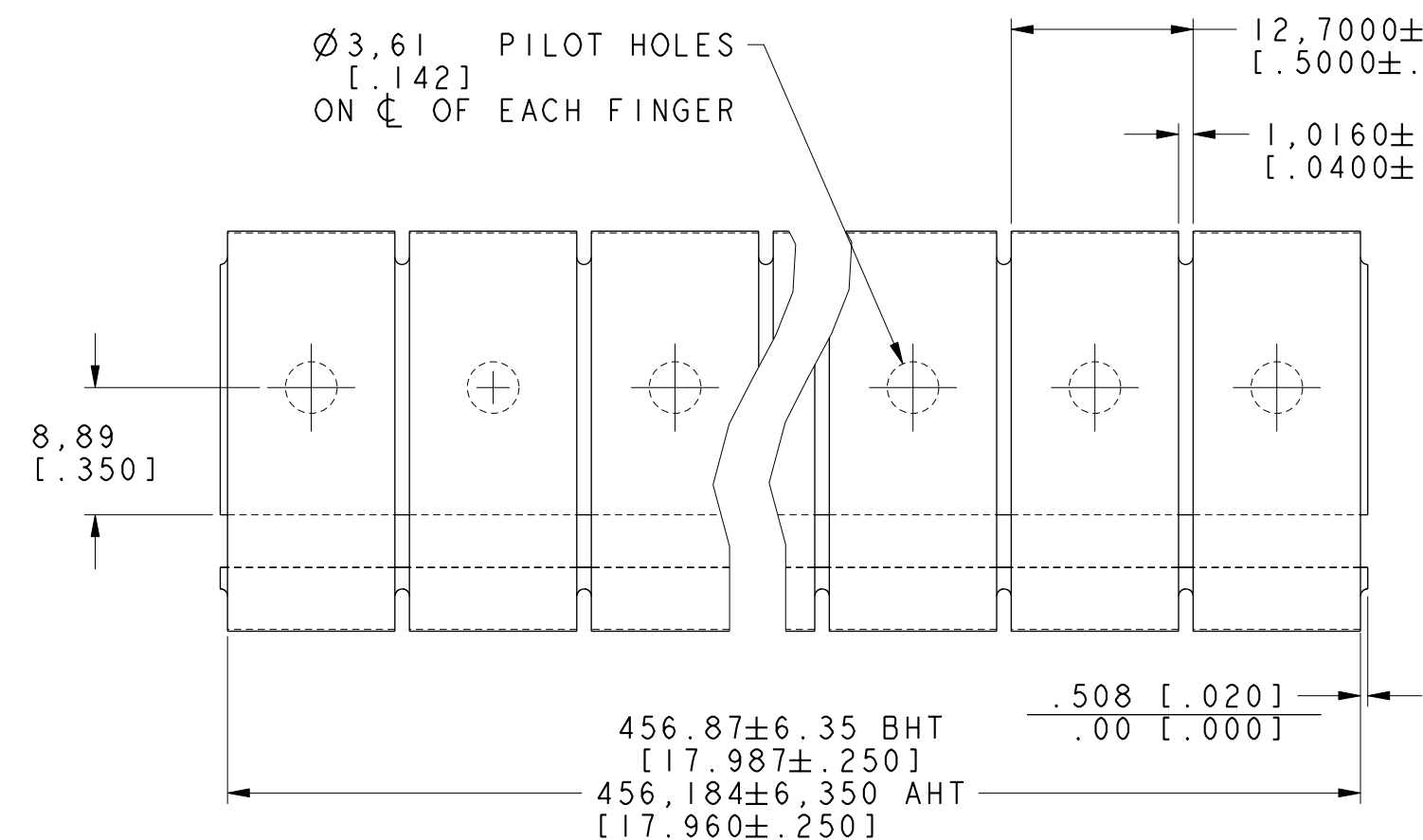
Tel: +86-755-8981 8866 Fax: +86-755-8427 6832

Email & Skype: info@chipsmall.com Web: www.chipsmall.com

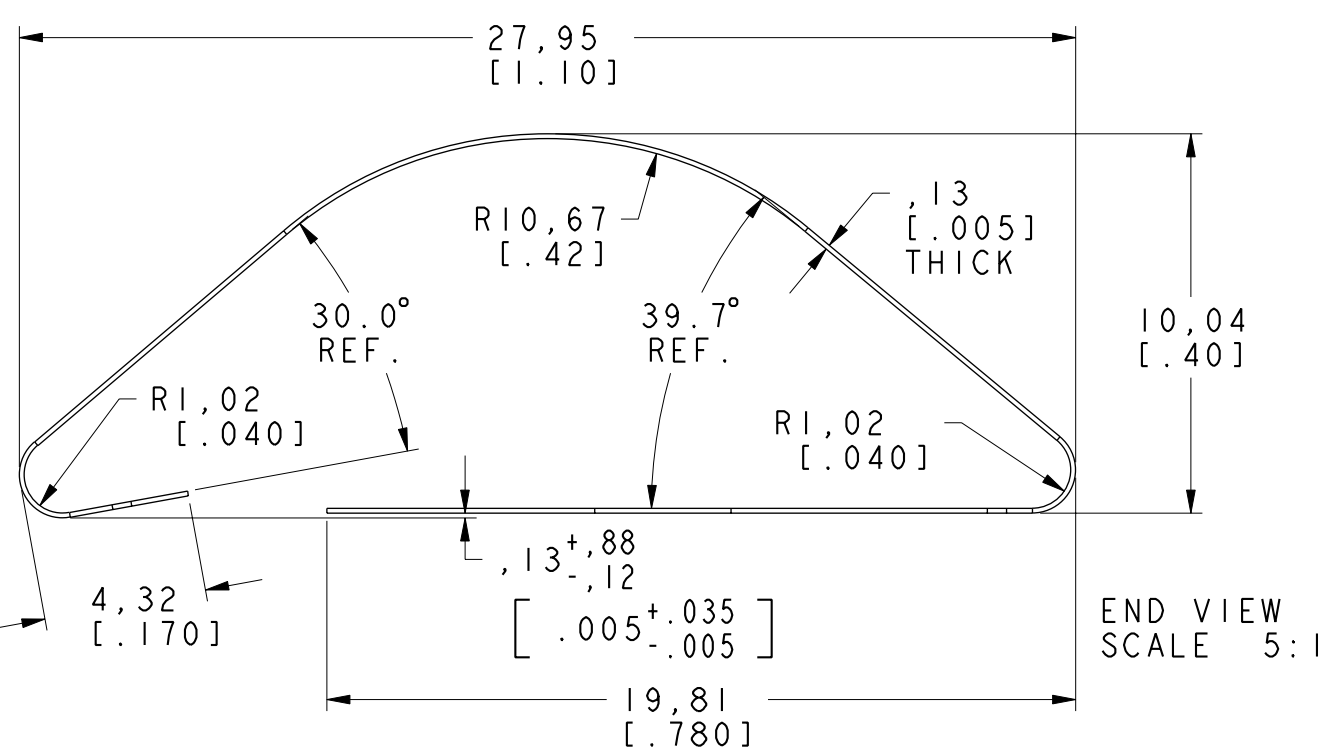
Address: A1208, Overseas Decoration Building, #122 Zhenhua RD., Futian, Shenzhen, China



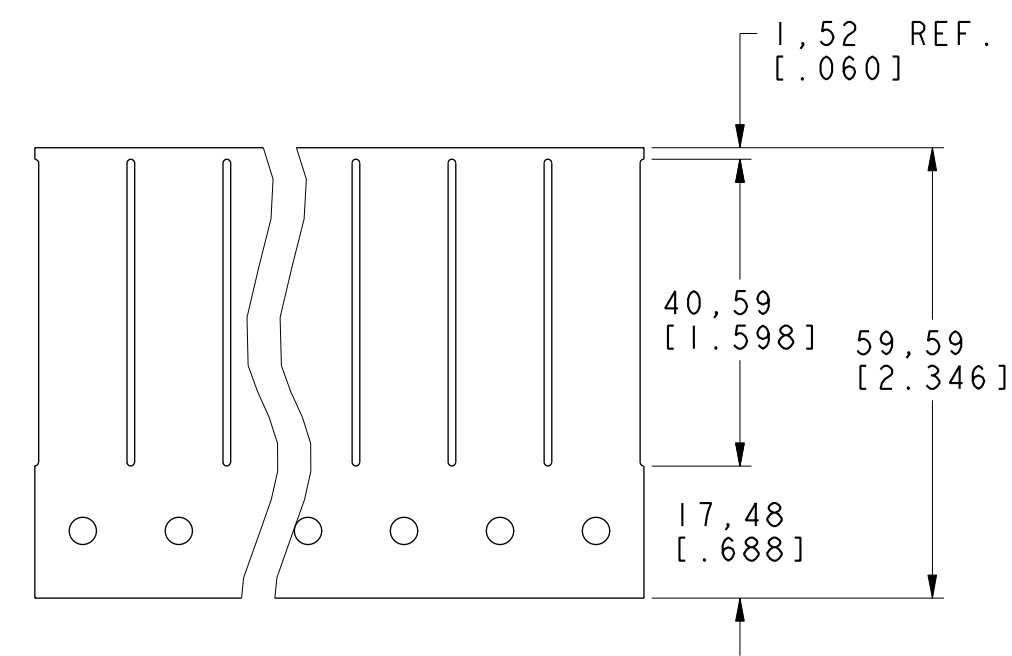
DWG. NO.	0077-0082
REVISIONS	
ECO-E2272 REMOVED REF. DIMENSIONS FROM MOUNTED VIEW DPG 04/17/01	02



MOUNTED VIEW
SCALE 2:1



END VIEW
SCALE 5:1



FLAT PATTERN SCALE 1:1

MATERIAL: .127±.0051 [.005±.0002] THICK BeCu ALLOY 25 1/2 HARD	TOLERANCES NOT SHOWN		 LAIRD STANDARD REF. DWG NO. NO SNAG GASKET DWG. NO. 0077-0082	DRAWN BY: JEK DATE: 10/05/00
	HEAT TREAT: TO DPH 383 MIN USING A 500 GRAM LOAD	DECIMAL 2 PL'S ± .508 [.020]		DECIMAL 3 PL'S ± .254 [.010]
THICKNESS AFTER: CLEANING AND BEFORE PLATING: .1168 [.0046] MIN.	ANGULAR ± 3°	THIRD ANGLE PROJECTION	APPROVED: DPG DATE: 10/06/00	
FINISH: AS REQUIRED	UNITS: MM [INCH]	SCALE: 2:1	SHEET 1 OF 1	

THIS INFORMATION IS CONFIDENTIAL AND PROPRIETARY TO LAIRD TECHNOLOGIES. IT MAY NOT BE DISCLOSED TO ANYONE, OTHER THAN LAIRD TECHNOLOGIES PERSONNEL, WITHOUT WRITTEN AUTHORIZATION FROM LAIRD TECHNOLOGIES.

DWG. NO.	0077-0082
----------	-----------

CAD MAINTAINED DRAWING. MANUAL CHANGES UNAUTHORIZED.