



Chipsmall Limited consists of a professional team with an average of over 10 year of expertise in the distribution of electronic components. Based in Hongkong, we have already established firm and mutual-benefit business relationships with customers from,Europe,America and south Asia,supplying obsolete and hard-to-find components to meet their specific needs.

With the principle of "Quality Parts,Customers Priority,Honest Operation,and Considerate Service",our business mainly focus on the distribution of electronic components. Line cards we deal with include Microchip,ALPS,ROHM,Xilinx,Pulse,ON,Everlight and Freescale. Main products comprise IC,Modules,Potentiometer,IC Socket,Relay,Connector.Our parts cover such applications as commercial,industrial, and automotives areas.

We are looking forward to setting up business relationship with you and hope to provide you with the best service and solution. Let us make a better world for our industry!



Contact us

Tel: +86-755-8981 8866 Fax: +86-755-8427 6832

Email & Skype: info@chipsmall.com Web: www.chipsmall.com

Address: A1208, Overseas Decoration Building, #122 Zhenhua RD., Futian, Shenzhen, China



7

6

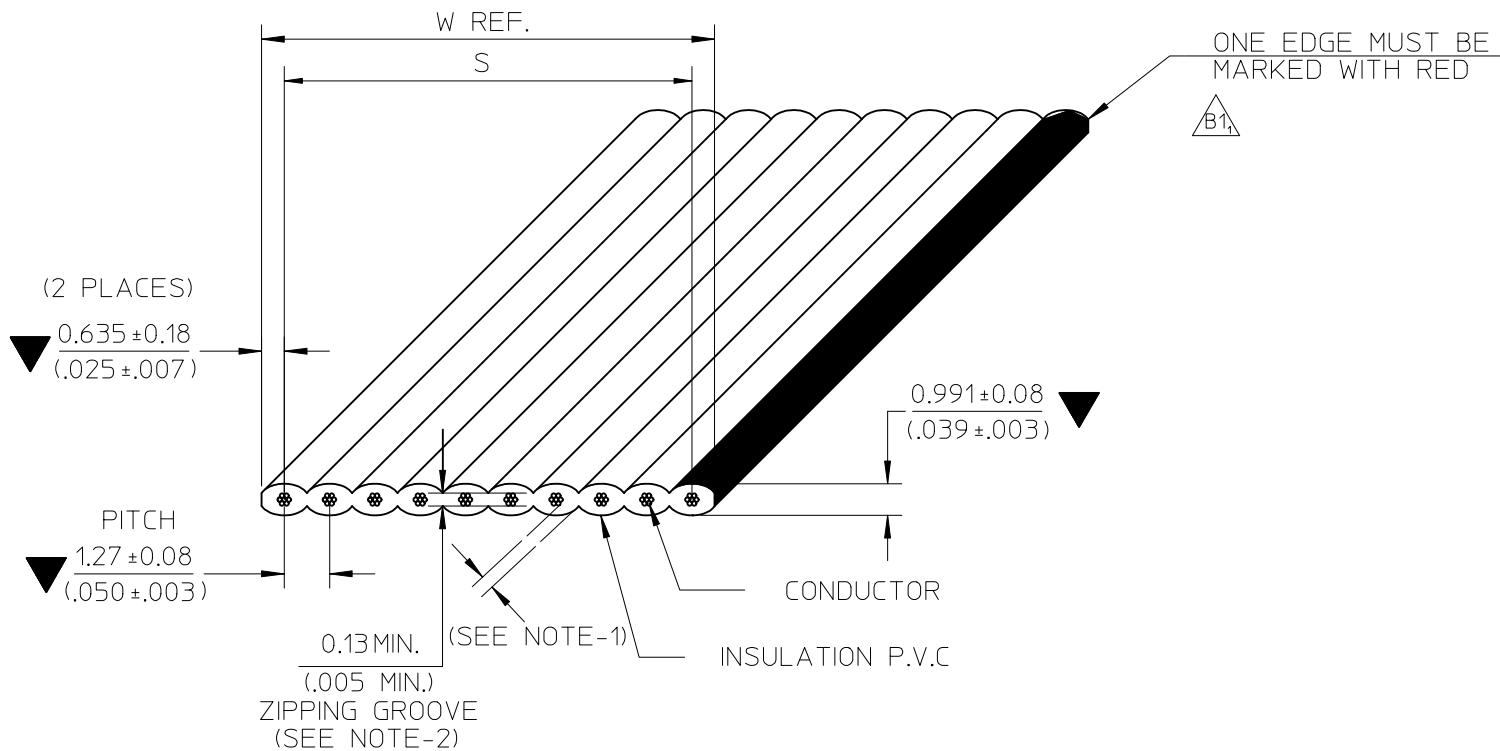
5

4

3

2

1



- NOTE :**
1. THE CABLE SHALL HAVE A MINIMUM OF 0.178mm. (.007") THICKNESS INSULATION AT ANY POINT
 2. RIP TEST:
 - THE 0.13mm. (.005") ZIPPING GROOVE SHALL BE CAPABLE OF BEING RIPPED BY HAND WITHIN THE RECESS, WITHOUT EXPOSING THE ADJACENT CONDUCTORS
 3. RoHS AND LEAD FREE COMPLIANT
 4. SPECIAL REQUIREMENT: N/A

PRODUCT APPLICATION	
<input checked="" type="checkbox"/>	GENERAL USE
<input type="checkbox"/>	AUTOMOTIVE
<input type="checkbox"/>	MEDICAL DEVICE

B1	E-10-0371	B1 ₁ : REMOVE REELS MFG. IN NOG.	2011/01/25
B	E-07-0748	B ₁ : ADD NON-OPERATING TEMP.	2007/11/23
A	N/A	NEW RELEASE	2006/07/18
REV. HISTORY	EC NO.	DETAIL	DATE

SEE CHANGE DETAIL	EC NO: THL2011-0054
	DRWN: CPANSAKHOM 2010/10/05
	CHKD: PMEECHAI 2011/01/25
	APPR: SVIRAT JAPOL 2011/03/31
	REV B1

QUALITY SYMBOLS
▽=3
∇=0
DESCRIPTION
REV

GENERAL TOLERANCES (UNLESS SPECIFIED)	
	mm
	INCH
4 PLACES	± ---
3 PLACES	± ---
2 PLACES	± ---
1 PLACE	± ---
ANGULAR ± ---°	
DRAFT WHERE APPLICABLE MUST REMAIN WITHIN DIMENSIONS	

DIMENSION STYLE	
MM/IN	
DRAWN BY	DATE
CPANSAKHOM	2006/07/18
CHECKED BY	DATE
PMEECHAI	2006/07/18
APPROVED BY	DATE
SVIRAT JAPOL	2006/07/18
MATERIAL NO.	
SEE CHART	
SIZE	
A 4	

SCALE	DESIGN UNITS	THIRD ANGLE PROJECTION
NTS	INCH	
TITLE		
FCB ROUND CONDUCTOR 1.27MM(.050)CENTER PVC. 26AWG STRANDED TINNED		
molex MOLEX INCORPORATED		
DOCUMENT NO.		SHEET NO.
SD-8863-001		1 OF 3
THIS DRAWING CONTAINS INFORMATION THAT IS PROPRIETARY TO MOLEX INCORPORATED AND SHOULD NOT BE USED WITHOUT WRITTEN PERMISSION		

6

5

4

3

2

1

7

6

5

4

3

2

1

SPECIFICATIONSPHYSICAL

CONDUCTOR SPACING -----1.27 (.050") \square TO \square
 WIRE GAUGE -----26 AWG(7/34) STRANDED TINNED
 INSULATION -----P.V.C GRAY (LEAD FREE)

AGENCY


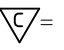

U.L. STYLE NO. -----2651
 TEMPERATURE RATING ----- -20°C TO 105°C
 VOLTAGE RATING -----300V.MAX.
 FLAMMABILITY RATING -----VW-1

ELECTRICAL

CONDUCTOR RESISTANCE (D.C.) -----43 m OHMS/FT. MAX.
 CHARACTERISTIC IMPEDANCE -----115 OHMS NOM. (GS)
 93 OHMS NOM. (GSG)
 CAPACITANCE -----8.9 pF/FT. NOM. (GS)
 18.0 pF/FT. NOM. (GSG)
 PROPAGATION DELAY -----1.4 ns/FT. NOM.
 INSULATION RESISTANCE -----10M OHMS (10FT. SAMPLE)
 DIELECTRIC WITHSTAND VOLTAGE -----2000 VRMS/MINUTE

GENERAL

NON-OPERATING TEMPERATURE ----- -20°C TO 105°C
 FAULTS AND/OR SPLICES -----1/REEL MAX. 100 $^{+3}_{-0}$ FT. (30.48 $^{+0.914}_{-0}$ M.)/REEL
 20FT. (6.096M.) MIN. LENGTH

SEE CHANGE DETAIL EC NO: THL2011-0054 DRWN: CPANSAKHOM 2010/10/05 CHKD: PMEECHAI 2011/01/25 APPR: SVIRAT JAPOL 2011/03/31	DESCRIPTION REV	QUALITY SYMBOLS	GENERAL TOLERANCES (UNLESS SPECIFIED)		DIMENSION STYLE MM/IN		SCALE NTS	DESIGN UNITS INCH	THIRD ANGLE PROJECTION			
		 =  =			mm	INCH	DRAWN BY	DATE	TITLE FCB ROUND CONDUCTOR 1.27MM(.050)CENTER PVC. 26AWG STRANDED TINNED			
			4 PLACES	±---	±---	CPANSAKHOM	2006/07/18					
			3 PLACES	±---	±---	CHECKED BY	DATE					
			2 PLACES	±---	±---	PMEECHAI	2006/07/18					
1 PLACE	±---	±---	APPROVED BY	DATE	 MOLEX INCORPORATED DOCUMENT NO. SD-8863-001 SHEET NO. 2 OF 3							
			SVIRAT JAPOL	2006/07/18								
			ANGULAR ±---°		MATERIAL NO.							
			DRAFT WHERE APPLICABLE MUST REMAIN WITHIN DIMENSIONS		SEE CHART							
B1					SIZE A 4	THIS DRAWING CONTAINS INFORMATION THAT IS PROPRIETARY TO MOLEX INCORPORATED AND SHOULD NOT BE USED WITHOUT WRITTEN PERMISSION						

6

5

4

3

2

1

ENGINEERING NO.
8863-XX-XXXX
A B C D
A : CABLE 1.27mm. (.050") CENTERS 26AWG STRANDED TINNED
B : CONDUCTOR SIZE (AVAILABILITY 3 THROUGH 50)
C : CABLE LENGTH 100FT. (30.48M)
D : A = INCHES
B = FEET

DIMENSIONS MM. (INCHES)						SHIPPED ON 100FT. REELS	
ENG. NO.	NO.OF COND.	DIMENSION S	DIM. W (REF)	ENGINEERING NO.	ORDER NO.		
8863-3	3	2.54±0.18 (100±.007)	3.81 (1.50)	8863-03-100B	82-26-6803		
8863-4	4	3.81±0.18 (150±.007)	5.08 (2.00)	-04-			
8863-5	5	5.08±0.18 (200±.007)	6.35 (2.50)	-05-			
8863-6	6	6.35±0.18 (250±.007)	7.62 (3.00)	-06-			
8863-7	7	7.62±0.18 (300±.007)	8.89 (3.50)	-07-			
8863-8	8	8.89±0.18 (350±.007)	10.16 (4.00)	-08-			
8863-9	9	10.16±0.18 (400±.007)	11.43 (4.50)	-09-			
8863-10	10	11.43±0.18 (450±.007)	12.70 (5.00)	-10-			
8863-11	11	12.70±0.18 (500±.007)	13.97 (5.50)	-11-			
8863-12	12	13.97±0.18 (550±.007)	15.24 (6.00)	-12-			
8863-13	13	15.24±0.18 (600±.007)	16.51 (6.50)	-13-			
8863-14	14	16.51±0.18 (650±.007)	17.78 (7.00)	-14-			
8863-15	15	17.78±0.18 (700±.007)	19.05 (7.50)	-15-			
8863-16	16	19.05±0.23 (750±.009)	20.32 (8.00)	-16-			
8863-17	17	20.32±0.23 (800±.009)	21.59 (8.50)	-17-			
8863-18	18	21.59±0.23 (850±.009)	22.86 (9.00)	-18-			
8863-19	19	22.86±0.23 (900±.009)	24.13 (9.50)	-19-			
8863-20	20	24.13±0.23 (950±.009)	25.40 (10.00)	-20-			
8863-21	21	25.40±0.23 (1000±.009)	26.67 (10.50)	-21-			
8863-22	22	26.67±0.23 (1050±.009)	27.94 (11.00)	-22-			
8863-23	23	27.94±0.23 (1100±.009)	29.21 (11.50)	-23-			
8863-24	24	29.21±0.23 (1150±.009)	30.48 (12.00)	-24-			
8863-25	25	30.48±0.23 (1200±.009)	31.75 (12.50)	-25-			
8863-26	26	31.75±0.23 (1250±.009)	33.02 (13.00)	-26-			
8863-27	27	33.02±0.23 (1300±.009)	34.29 (13.50)	-27-			
8863-28	28	34.29±0.23 (1350±.009)	35.56 (14.00)	-28-			
8863-29	29	35.56±0.23 (1400±.009)	36.83 (14.50)	-29-			
8863-30	30	36.83±0.23 (1450±.009)	38.10 (15.00)	-30-			
8863-31	31	38.10±0.23 (1500±.009)	39.37 (15.50)	-31-			
8863-32	32	39.37±0.23 (1550±.009)	40.64 (16.00)	-32-			
8863-33	33	40.64±0.23 (1600±.009)	41.91 (16.50)	-33-			
8863-34	34	41.91±0.23 (1650±.009)	43.18 (17.00)	-34-			
8863-35	35	43.18±0.23 (1700±.009)	44.45 (17.50)	-35-			
8863-36	36	44.45±0.23 (1750±.009)	45.72 (18.00)	-36-			
8863-37	37	45.72±0.28 (1800±.011)	46.99 (18.50)	-37-			
8863-38	38	46.99±0.28 (1850±.011)	48.26 (19.00)	-38-			
8863-39	39	48.26±0.28 (1900±.011)	49.53 (19.50)	-39-			
8863-40	40	49.53±0.28 (1950±.011)	50.80 (2.000)	-40-			
8863-41	41	50.80±0.28 (2.000±.011)	52.07 (2.050)	-41-			
8863-42	42	52.07±0.28 (2.050±.011)	53.34 (2.100)	-42-			
8863-43	43	53.34±0.28 (2.100±.011)	54.61 (2.150)	-43-			
8863-44	44	54.61±0.28 (2.150±.011)	55.88 (2.200)	-44-			
8863-45	45	55.88±0.28 (2.200±.011)	57.15 (2.250)	-45-			
8863-46	46	57.15±0.28 (2.250±.011)	58.42 (2.300)	-46-			
8863-47	47	58.42±0.28 (2.300±.011)	59.69 (2.350)	-47-			
8863-48	48	59.69±0.28 (2.350±.011)	60.96 (2.400)	-48-			
8863-49	49	60.96±0.28 (2.400±.011)	62.23 (2.450)	-49-			
8863-50	50	62.23±0.28 (2.450±.011)	63.50 (2.500)	8863-50-100B	82-26-6850		

QUALITY SYMBOLS 	GENERAL TOLERANCES (UNLESS SPECIFIED) <table border="1"> <tr><th colspan="2">mm</th><th colspan="2">INCH</th></tr> <tr><td>4 PLACES</td><td>± ---</td><td>+</td><td>---</td></tr> <tr><td>3 PLACES</td><td>± ---</td><td>+</td><td>---</td></tr> <tr><td>2 PLACES</td><td>± ---</td><td>+</td><td>---</td></tr> <tr><td>1 PLACE</td><td>± ---</td><td>+</td><td>---</td></tr> </table>	mm		INCH		4 PLACES	± ---	+	---	3 PLACES	± ---	+	---	2 PLACES	± ---	+	---	1 PLACE	± ---	+	---	DIMENSION STYLE MM/IN	SCALE NTS	DESIGN UNITS INCH	THIRD ANGLE PROJECTION
		mm		INCH																					
		4 PLACES	± ---	+	---																				
3 PLACES	± ---	+	---																						
2 PLACES	± ---	+	---																						
1 PLACE	± ---	+	---																						
DRAWN BY CPANSAKHOM	DATE 2006/07/18	TITLE FCB ROUND CONDUCTOR 1.27MM(.050)CENTER PVC. 26AWG STRANDED TINNED																							
CHECKED BY PMEECHAI	DATE 2006/07/18	MOLEX INCORPORATED																							
APPROVED BY SVIRAT JAPOL		DATE 2006/07/18		DOCUMENT NO. SD-8863-001																					
MATERIAL NO. SEE CHART		SHEET NO. 3 OF 3																							
DRAFT WHERE APPLICABLE MUST REMAIN WITHIN DIMENSIONS																									
THIS DRAWING CONTAINS INFORMATION THAT IS PROPRIETARY TO MOLEX INCORPORATED AND SHOULD NOT BE USED WITHOUT WRITTEN PERMISSION																									

14/03/1102 TAPOL
 52/10/1102 SVIRAT
 59/10/10102 PMEECHAI
 7500-1102 THL ON CE
B1