



Chipsmall Limited consists of a professional team with an average of over 10 year of expertise in the distribution of electronic components. Based in Hongkong, we have already established firm and mutual-benefit business relationships with customers from,Europe,America and south Asia,supplying obsolete and hard-to-find components to meet their specific needs.

With the principle of “Quality Parts,Customers Priority,Honest Operation,and Considerate Service”,our business mainly focus on the distribution of electronic components. Line cards we deal with include Microchip,ALPS,ROHM,Xilinx,Pulse,ON,Everlight and Freescale. Main products comprise IC,Modules,Potentiometer,IC Socket,Relay,Connector.Our parts cover such applications as commercial,industrial, and automotives areas.

We are looking forward to setting up business relationship with you and hope to provide you with the best service and solution. Let us make a better world for our industry!



Contact us

Tel: +86-755-8981 8866 Fax: +86-755-8427 6832

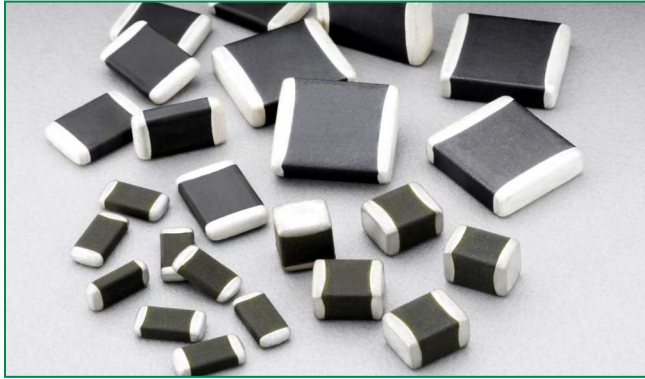
Email & Skype: info@chipsmall.com Web: www.chipsmall.com

Address: A1208, Overseas Decoration Building, #122 Zhenhua RD., Futian, Shenzhen, China



AUML Varistor Series

RoHS



Size Table

| Metric | EIA |
|--------|------|
| 3216 | 1206 |
| 3225 | 1210 |
| 4532 | 1812 |
| 5650 | 2220 |

Applications

- Suppression of inductive switching or other transient events such as EFT and surge voltage at the circuit board level
- ESD protection for components sensitive to IEC 61000-4-2 (Level 4), MIL-STD-883C, Method 3015.7, and other industry specifications (See Also the MLE or MLN Series)
- Provides on-board transient voltage protection for ICs and transistors
- Used to help achieve electromagnetic compliance of end products
- Replace larger surface mount TVS Zeners in many applications

Description

The AUML Series of Multilayer Transient Surge Suppressors was specifically designed to suppress the destructive transient voltages found in an automobile. The most common transient condition results from large inductive energy discharges. The electronic systems in the automobile, e.g. antilock brake systems, direct ignition systems, engine control, airbag control systems, wiper motor controls, etc., are susceptible to damage from these voltage transients and thus require protection. The AUML transient suppressors have temperature independent suppression characteristics affording protection from -55°C to 125°C.

The AUML suppressor is manufactured from semiconducting ceramics which offer rugged protection and excellent transient energy absorption in a small package. The devices are available in ceramic leadless chip form, eliminating lead inductance and assuring fast speed of response to transient surges. These Suppressors require significantly smaller space and land pads than Silicon TVS diodes, offering greater circuit board layout flexibility for the designer.

Also see the Littelfuse ML, MLN and MLE Series of Multilayer Suppressors.

Features

- AEC - Q200 compliant
- RoHS Compliant
- Load Dump energy rated per SAE Specification J1113
- Leadless, surface mount chip form
- "Zero" Lead Inductance
- Variety of energy ratings available
- No temperature derating up to 125°C ambient
- High peak surge current capability
- Low Profile, compact industry standard chip size; (1206, 1210, 1812 and 2220 Sizes)
- Inherent bidirectional clamping
- No Plastic or epoxy packaging assures better than 94V-0 flammability rating

Absolute Maximum Ratings

• For ratings of individual members of a series, see Device Ratings and Specifications chart.

| Continuous | AUML Series | Units |
|--|-------------|-------|
| Steady State Applied Voltage: | | |
| DC Voltage Range (V_{MIDC}) | 18, 24, 48 | V |
| Transient: | | |
| Load Dump Energy, (W_{LD}) | 1.5 to 25 | J |
| Jump Start Capability (5 minutes), (V_{JUMP}) | 48 | V |
| Operating Ambient Temperature Range (T_A) | -55 to +125 | °C |
| Storage Temperature Range (T_{STG}) | -55 to +150 | °C |
| Temperature Coefficient (αV) of Clamping Voltage (V_C) at Specified Test Current | <0.01 | %/°C |

CAUTION: Stresses above those listed in "Absolute Maximum Ratings" may cause permanent damage to the device. This is a stress only rating and operation of the device at these or any other conditions above those indicated in the operational sections of this specification is not implied.

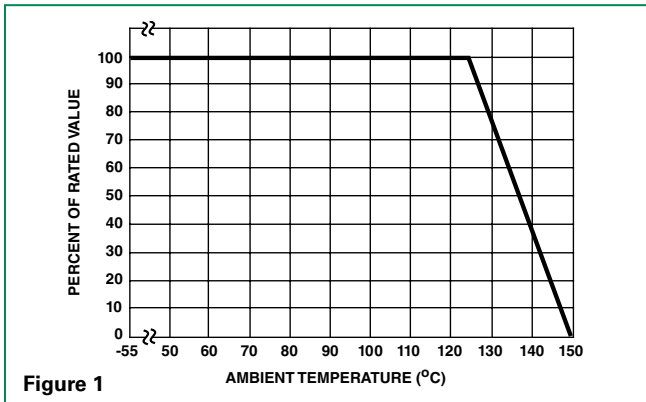
Device Ratings and Specifications

| Part Number | Maximum Ratings (125°C) | | | Specifications (25°C) | | | | |
|--------------|-------------------------------|----------------------------|------------------------------|--|------------------------|-------------------------------------|---|--------------|
| | Maximum Continuous DC Voltage | Jump Start Voltage (5 Min) | Load Dump Energy (10 Pulses) | Nominal Varistor Voltage at 10mA DC Test Current | | Maximum Standby Leakage (at 13V DC) | Maximum Clamping Voltage (V_C) at Test Current (8/20 μ s) | |
| | $V_{M(DC)}$ (V) | V_{JUMP} (V) | W_{LD} (J) | $V_{N(DC)}$ Min (V) | $V_{N(DC)}$ Max (V) | I_L (μ A) | V_C (V) | I_P (A) |
| V18AUMLA1206 | 18 | 24.5 | 1.5 | 23 | 32 | 50 | 40 | 1.5 |
| V18AUMLA1210 | 18 | 24.5 | 3.0 | 23 | 32 | 50 | 40 | 1.5 |
| V18AUMLA1812 | 18 | 24.5 | 6.0 | 23 | 32 | 100 | 40 | 5.0 |
| V18AUMLA2220 | 18 | 24.5 | 25 | 23 | 32 | 200 | 40 | 10.0 |
| V24AUMLA2220 | 24 | 24.5 | 25 | 32 | 39 | 200 | 60 | 10.0 |
| V48AUMLA2220 | 48 | 24.5 | 25 | 54.5 | 66.5 | 200 | 105 | 10.0 |

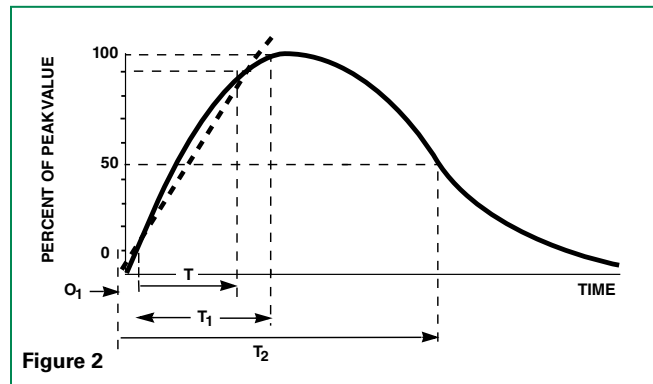
NOTES: 1. Average power dissipation of transients not to exceed 0.1W, 0.15W, 0.3W and 1W for model sizes 1206, 1210, 1812 and 2220 respectively.
 2. Load dump :min. time of energy input 40ms, interval 60sec(the load dump time constant T_d differs from the time constant of energy input; load dump rating for ISO 7637-2 pulse 5a, please contact littelfuse.
 3. Thermal shock capability per Mil-Std-750, Method 1051: -55°C to 125°C, 5 minutes at 25°C, 25 Cycles: 15 minutes at each extreme.
 4. For application specific requirements, please contact Littelfuse.

Current, Energy and Power Derating Curve

When transients occur in rapid succession, the average power dissipation is the energy (watt-seconds) per pulse times the number of pulses per second. The power so developed must be within the specifications shown on the Device Ratings and Characteristics Table for the specific device. Certain parameter ratings must be derated at high temperatures as shown below.



Peak Pulse Current Test Waveform for Clamping Voltage

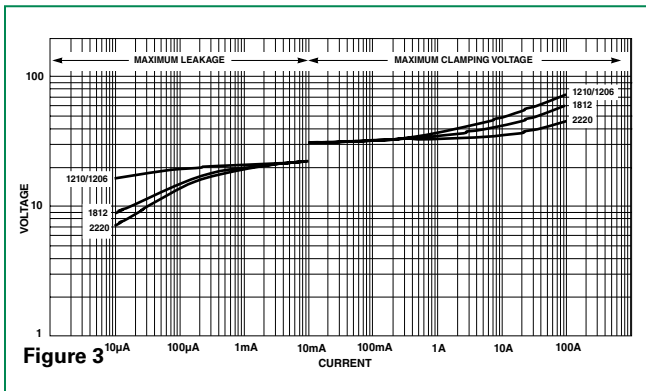


O_1 = Virtual Origin of Wave
 T = Time from 10% to 90% of Peak
 T_1 = Rise Time = $1.25 \times T$
 T_2 = Decay Time

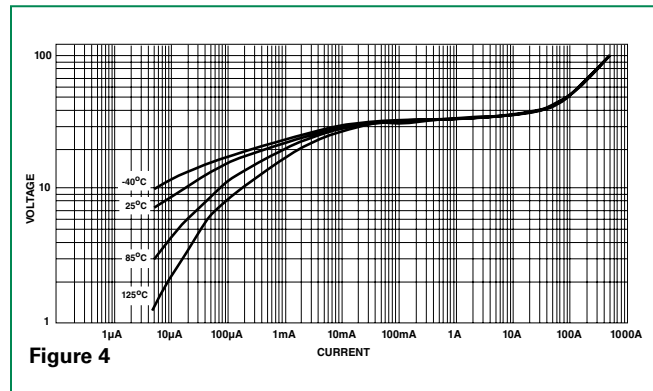
Example - For an 8/20 μ s Current Waveform:

$8\mu s = T_1 =$ Rise Time
 $20\mu s = T_2 =$ Decay Time

Maximum Leakage Current/Clamping Voltage Curve for AUML Series at 25°C



Typical V-I Characteristics of the V18AUMLA2220 at -40°C, 25°C, 85°C and 125°C



Temperature Effects

In the leakage region of the AUML suppressor, the device characteristics approaches a linear (ohmic) relationship and shows a temperature dependent affect. In this region the suppressor is in a high resistance mode (approaching $10^6\Omega$) and appears as a near open-circuit. Leakage currents at maximum rated voltage are in the microamp range.

When clamping transients at higher currents (at and above the 10mA range), the AUML suppressor approaches a 1-10 characteristic. In this region the characteristics of the AUML are virtually temperature independent. Figure 3 shows the typical effect of temperature on the V-I characteristics of the AUML suppressor.

Load Dump Energy Capability

A Load Dump transient occurs when the alternator load in the automobile is abruptly reduced. The worst case scenario of this transient occurs when the battery is disconnected while operating at full rated load. There are a number of different Load Dump specifications in existence in the automotive industry, with the most common one being that recommended by the Society of Automotive Engineers, specification #SAE J1113. Because of the diversity of these Load Dump specifications Littelfuse defines the Load Dump energy capability of the AUML suppressor range as that energy dissipated by the device itself, independent of the test circuit setup. The resultant Load Dump energy handling capability serves as an excellent figure of merit for the AUML suppressor. Standard Load Dump specifications require a device capability of 10 pulses at rated energy, across a temperature range of -40°C to $+125^\circ\text{C}$. This capability requirement is well within the ratings of all of the AUML Series (Figure 6 on next page).

The very high energy absorption capability of the AUML suppressor is achieved by means of a highly controlled manufacturing process. This technology ensures that a large volume of suppressor material, with an interdigitated layer construction, is available for energy absorption in an extremely small package. Unlike equivalent rated Silicon TVS diodes, the entire AUML device volume is available to dissipate the Load Dump energy.

Hence, the peak temperatures generated by the Load Dump transient are significantly lower and evenly dissipated throughout the complete device (Figure 5 below). This even energy dissipation ensures that there are lower peak temperatures generated at the P-N grain boundaries of the AUML suppressor.

There are a number of different size devices available in the AUML Series, each one with a load dump energy rating, which is size dependent.

Speed of Response

The clamping action of the AUML suppressor depends on a conduction mechanism similar to that of other semiconductor devices (i.e. P-N Junctions). The apparent slow response time often associated with transient voltage suppressors (Zeners, MOVs) is often due to parasitic inductance in the package and leads of the device and less dependent of the basic material (Silicon, $Z_{\text{N}}\text{O}$). Thus, the single most critical element affecting the response time of any suppressor is its lead inductance. The AUML suppressor is a surface mount device, with no leads or external packaging, and thus, it has virtually zero inductance. The actual response time of a AUML surge suppressor is in the 1 to 5 ns range, more than sufficient for the transients which are likely to be encountered in an automotive environment.

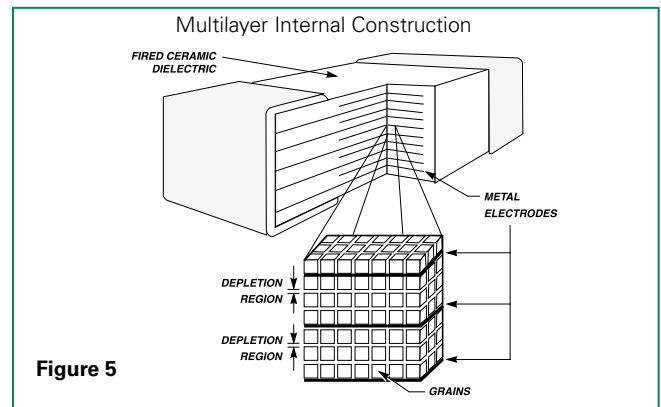


Figure 5

AUML Load Dump Pulsing over a Temperature Range of -55°C to $+125^\circ\text{C}$

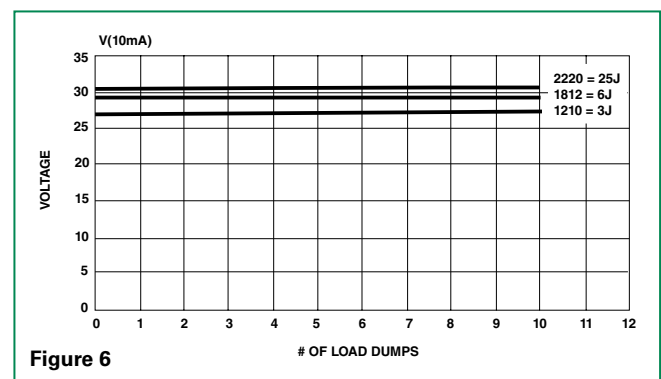


Figure 6

Explanation of Terms

Maximum Continuous DC Working Voltage ($V_{M*(DC)+}$)

This is the maximum continuous DC voltage which may be applied, up to the maximum operating temperature (125°C), to the ML suppressor. This voltage is used as the reference test point for leakage current and is always less than the breakdown voltage of the device.

Load Dump Energy Rating W_{LD+}

This is the actual energy the part is rated to dissipate under Load Dump conditions (not to be confused with the "source energy" of a Load Dump test specification).

Maximum Clamping Voltage V_{C+}

This is the peak voltage appearing across the suppressor when measured at conditions of specified pulse current and specified waveform (8/20 μ s). It is important to note that the peak current and peak voltage may not necessarily be coincidental in time.

Leakage Current I_{L+}

In the nonconducting mode, the device is at a very high impedance (approaching 10⁶ Ω at its rated working voltage) and appears as an almost open circuit in the system. The leakage current drawn at this level is very low (<25 μ A at ambient temperature) and, unlike the Zener diode, the multilayer TVS has the added advantage that, when operated up to its maximum temperature, its leakage current will not increase above 500 μ A.

Nominal Voltage V_{NDC+}

This is the voltage at which the AUML enters its conduction state and begins to suppress transients. In the automotive environment this voltage is defined at the 10mA point and has a minimum ($V_{NDC\ MIN}$) and maximum ($V_{NDC\ MAX}$) voltage specified.

Additional Information



Datasheet



Resources



Samples

Lead (Pb) Soldering Recommendations

The principal techniques used for the soldering of components in surface mount technology are IR Re-flow and Wave soldering. Typical profiles are shown on the right.

The termination option available for each solder technique is:

- | | |
|-------------------------------|-------------------------------|
| Reflow | Wave |
| 1. Nickel Barrier (preferred) | 1. Nickel Barrier (preferred) |
| 2. Silver/Platinum | |

The recommended solder for the AURL suppressor is a 62/36/2 (Sn/Pb/Ag), 60/40 (Sn/Pb) or 63/37 (Sn/Pb). Littelfuse also recommends an RMA solder flux.

Wave soldering is the most strenuous of the processes. To avoid the possibility of generating stresses due to thermal shock, a preheat stage in the soldering process is recommended, and the peak temperature of the solder process should be rigidly controlled.

When using a reflow process, care should be taken to ensure that the AURL chip is not subjected to a thermal gradient steeper than 4 degrees per second; the ideal gradient being 2 degrees per second. During the soldering process, preheating to within 100 degrees of the solder's peak temperature is essential to minimize thermal shock.

Once the soldering process has been completed, it is still necessary to ensure that any further thermal shocks are avoided. One possible cause of thermal shock is hot printed circuit boards being removed from the solder process and subjected to cleaning solvents at room temperature. The boards must be allowed to cool gradually to less than 50°C before cleaning.

Reflow Solder Profile

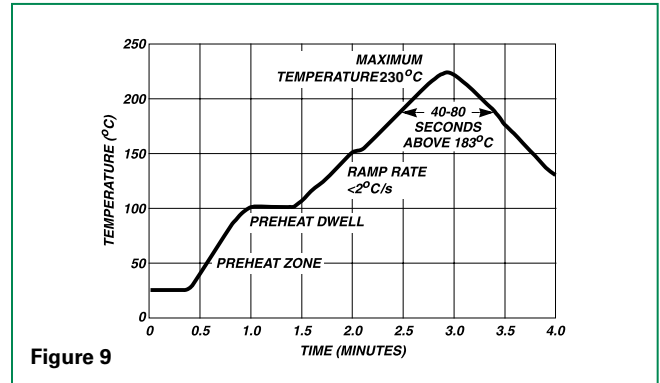


Figure 9

Wave Solder Profile

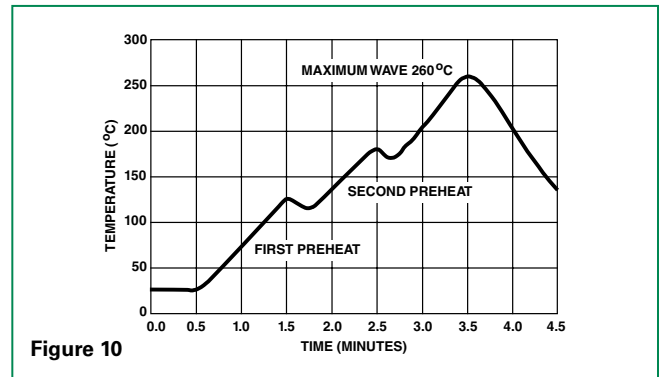


Figure 10

Lead-free (Pb-free) Soldering Recommendations

Littelfuse offers the Nickel Barrier Termination finish for the optimum Lead-free solder performance.

The preferred solder is 96.5/3.0/0.5 (SnAgCu) with an RMA flux, but there is a wide selection of pastes and fluxes available with which the Nickel Barrier parts should be compatible.

The reflow profile must be constrained by the maximums in the Lead-free Reflow Profile. For Lead-free Wave soldering, the Wave Solder Profile still applies.

Note: the Lead-free paste, flux and profile were used for evaluation purposes by Littelfuse, based upon industry standards and practices. There are multiple choices of all three available, it is advised that the customer explores the optimum combination for their process as processes vary considerably from site to site.

Lead-free Re-flow Solder Profile

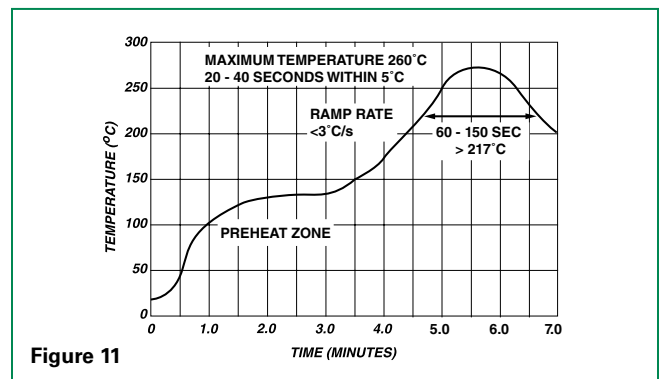
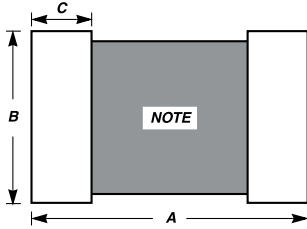


Figure 11

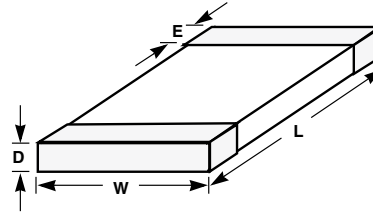
Product Dimensions (mm)

PAD LAYOUT DIMENSIONS



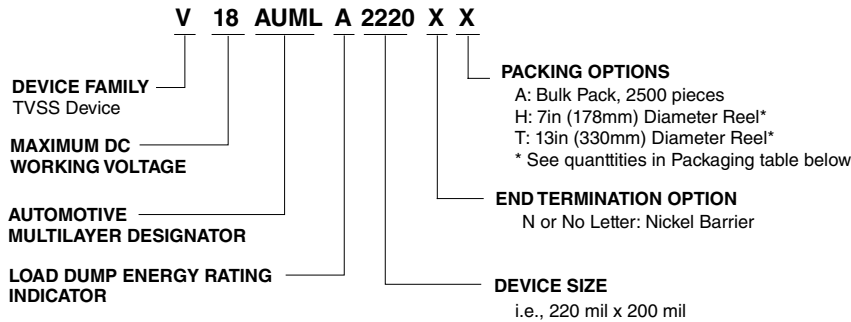
Note: Avoid metal runs in this area, parts are not recommended for use in applications using Silver (Ag) epoxy paste.

CHIP LAYOUT DIMENSIONS



| SYMBOL | 1206 Size | | 1210 Size | | 1812 Size | | 2220 Size | |
|-----------------|-----------------|---------------|-----------------|---------------|-----------------|---------------|-----------------|---------------|
| | IN | MM | IN | MM | IN | MM | IN | MM |
| A | 0.203 | 5.150 | 0.219 | 5.510 | 0.272 | 6.910 | 0.315 | 8.000 |
| B | 0.103 | 2.620 | 0.147 | 3.730 | 0.172 | 4.360 | 0.240 | 6.190 |
| C | 0.065 | 1.650 | 0.073 | 1.850 | 0.073 | 1.850 | 0.073 | 1.850 |
| D (max.) | 0.071 | 1.80 | 0.070 | 1.80 | 0.07 | 1.80 | 0.118 | 3.00 |
| E | 0.020 +/- 0.010 | 0.50 +/- 0.25 | 0.020 +/- 0.010 | 0.50 +/- 0.25 | 0.020 +/- 0.010 | 0.50 +/- 0.25 | 0.030 +/- 0.010 | 0.75 +/- 0.25 |
| L | 0.125 +/- 0.012 | 3.20 +/- 0.03 | 0.125 +/- 0.012 | 3.20 +/- 0.30 | 0.180 +/- 0.014 | 4.50 +/- 0.35 | 0.225 +/- 0.016 | 5.70 +/- 0.40 |
| W | 0.060 +/- 0.011 | 1.60 +/- 0.28 | 0.100 +/- 0.012 | 2.54 +/- 0.30 | 0.125 +/- 0.012 | 3.20 +/- 0.30 | 0.197 +/- 0.016 | 5.00 +/- 0.40 |

Part Numbering System

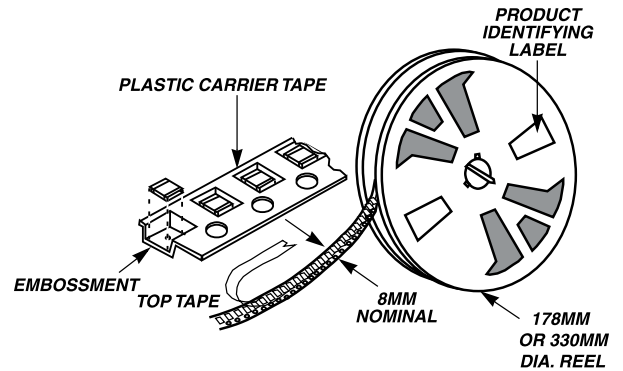
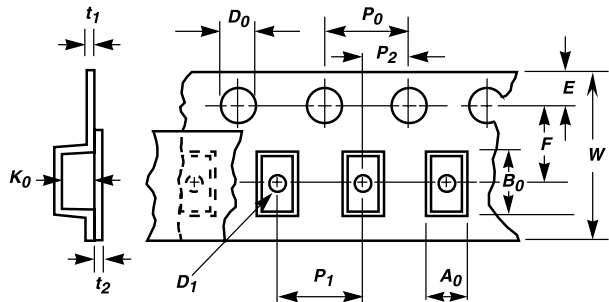


Packaging*

| Device Size | Quantity | | |
|-------------|----------------------------|---------------------------|------------------------|
| | 13" Inch Reel ('T' Option) | 7" Inch Reel ('H' Option) | Bulk Pack ('A' Option) |
| 1206 | 10,000 | 2,500 | 2,500 |
| 1210 | 8,000 | 2,000 | 2,000 |
| 1812 | 4,000 | 1,000 | 1,000 |
| 2220 | 4,000 | 1,000 | 1,000 |

*(Packaging) It is recommended that parts be kept in the sealed bag provided and that parts be used as soon as possible when removed from bags.

Tape and Reel Specifications



| Symbol | Description | Dimensions in Millimeters | |
|--------|--|--|-----------------|
| A_0 | Width of Cavity | Dependent on Chip Size to Minimize Rotation. | |
| B_0 | Length of Cavity | Dependent on Chip Size to Minimize Rotation. | |
| K_0 | Depth of Cavity | Dependent on Chip Size to Minimize Rotation. | |
| W | Width of Tape | 8 \pm 0.2 | 12 \pm 0.2 |
| F | Distance Between Drive Hole Centers and Cavity Centers | 3.5 \pm 0.5 | 5.4 \pm 0.5 |
| E | Distance Between Drive Hole Centers and Tape Edge | 1.75 \pm 0.1 | 1.75 \pm 0.1 |
| P_1 | Distance Between Cavity Center | 4 \pm 0.1 | 8 \pm 0.1 |
| P_2 | Axial Distance Between Drive Hole Centers and Cavity Centers | 2 \pm 0.1 | 2 \pm 0.1 |
| P_0 | Axial Distance Between Drive Hole Centers | 8 \pm 0.1 | 8 \pm 0.1 |
| D_0 | Drive Hole Diameter | 1.55 \pm 0.05 | 1.55 \pm 0.05 |
| D_1 | Diameter of Cavity Piercing | 1.05 \pm 0.05 | 1.55 \pm 0.05 |
| T_1 | Embossed Tape Thickness | 0.3 Max | 0.4 Max |
| T_2 | Top Tape Thickness | 0.1 Max | 0.1 Max |

NOTE: Dimensions in millimeters.

- Conforms to EIA-481-1, Revision A
- Can be supplied to IEC publication 286-3

| Tape | 8mm Wide Tape | | 12mm Wide Tape | |
|-----------|---------------|------|----------------|------|
| Chip Size | 1206 | 1210 | 1812 | 2220 |

Standard Packaging

Tape and reel is the standard packaging method of the AUML Series. The standard 300 millimeter (13-inch) reel utilized contains 4000 pieces for the 2200 and 1812 chips, 8000 pieces for the 1210 chip and 10,000 pieces for the 1206 size.

To order: add 'T' to the standard part number, e.g. V18AUMLA2220T.

Special Packaging

Option1: 178 millimeter (7-inch) reels containing 1000 (2220, 1812), 2000 (1210), 2500 (1206), pieces are available. To order add 'H' to the standard part number, e.g. V18AUMLA2220H.

Option 2 For small sample quantities (less than 100 pieces) the units are shipped bulk pack. To order add 'A' to the standard part number, e.g. V18AUMLA2220A.