



Chipsmall Limited consists of a professional team with an average of over 10 year of expertise in the distribution of electronic components. Based in Hongkong, we have already established firm and mutual-benefit business relationships with customers from,Europe,America and south Asia,supplying obsolete and hard-to-find components to meet their specific needs.

With the principle of "Quality Parts,Customers Priority,Honest Operation,and Considerate Service",our business mainly focus on the distribution of electronic components. Line cards we deal with include Microchip,ALPS,ROHM,Xilinx,Pulse,ON,Everlight and Freescale. Main products comprise IC,Modules,Potentiometer,IC Socket,Relay,Connector.Our parts cover such applications as commercial,industrial, and automotives areas.

We are looking forward to setting up business relationship with you and hope to provide you with the best service and solution. Let us make a better world for our industry!



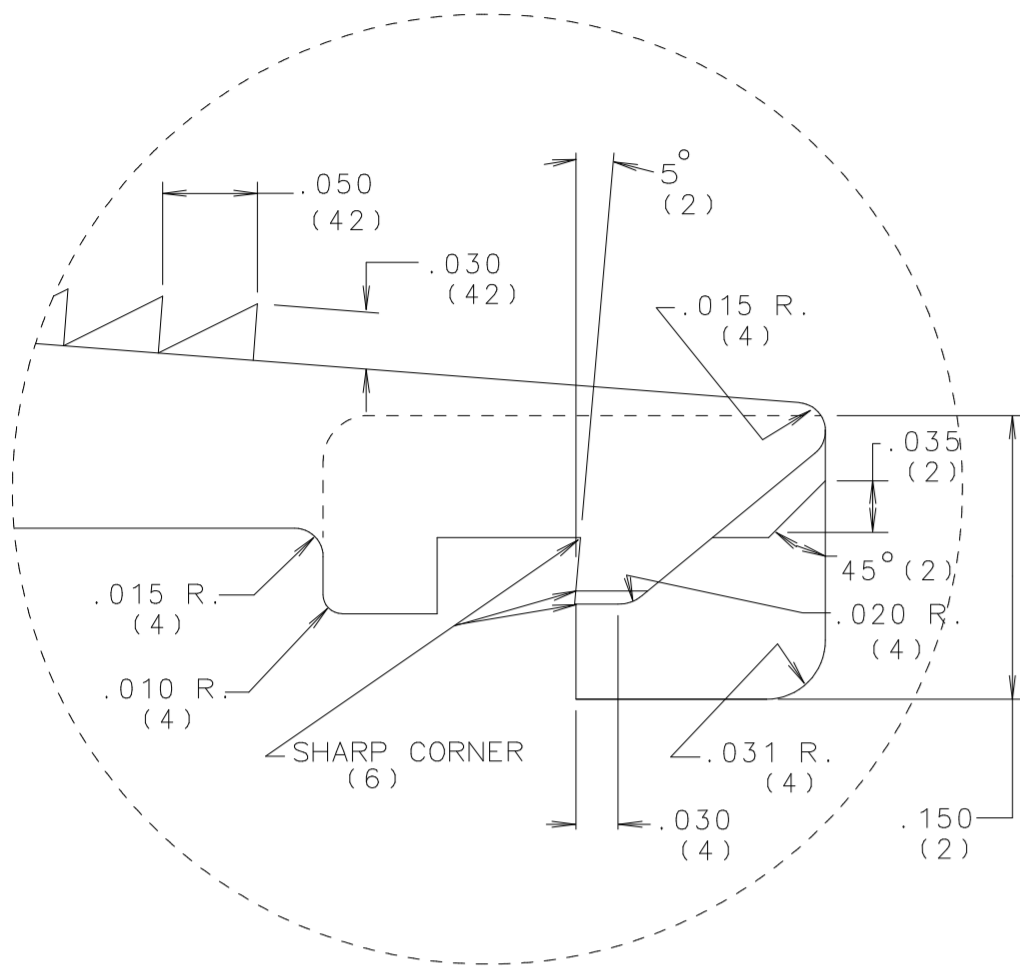
Contact us

Tel: +86-755-8981 8866 Fax: +86-755-8427 6832

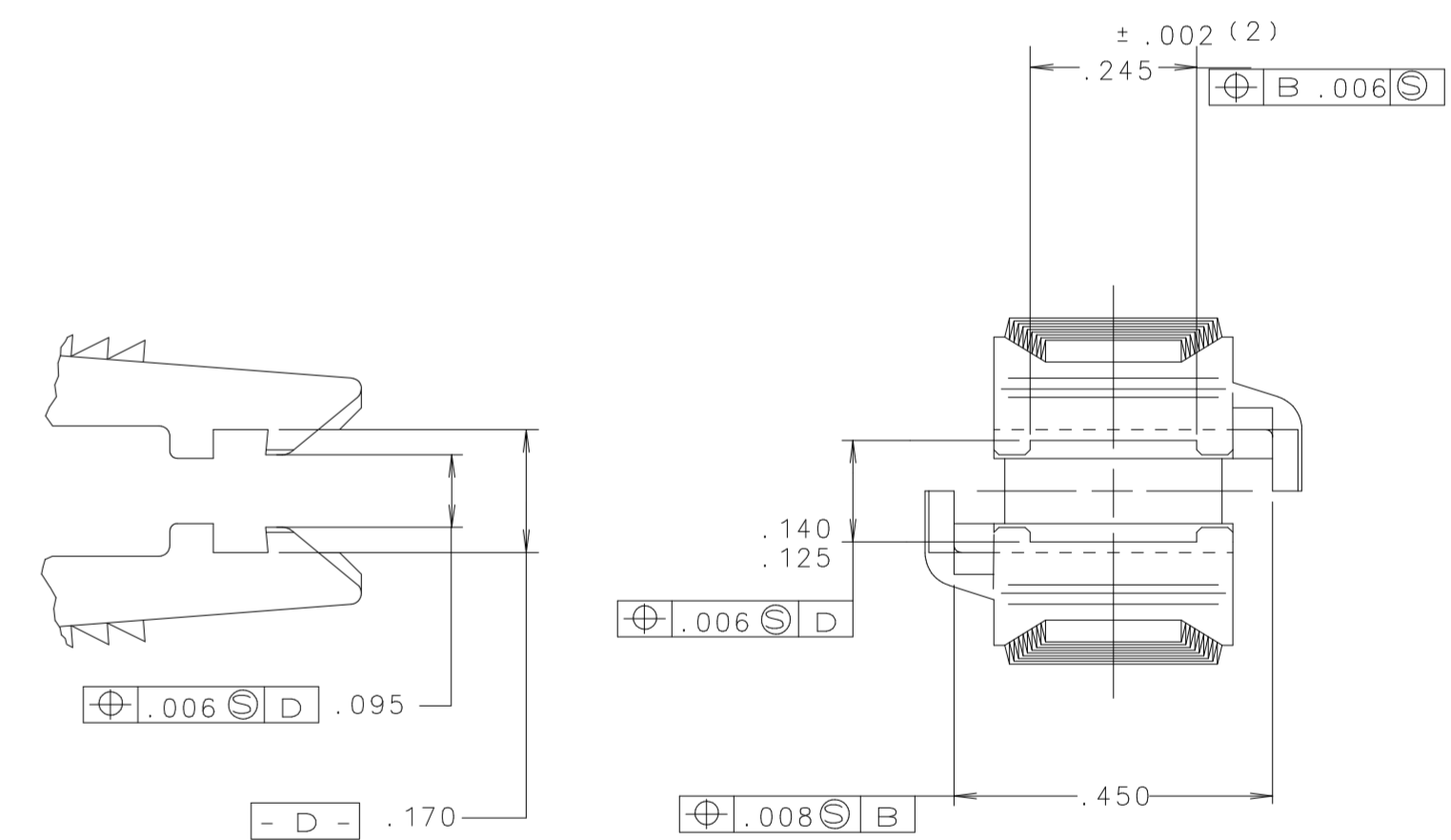
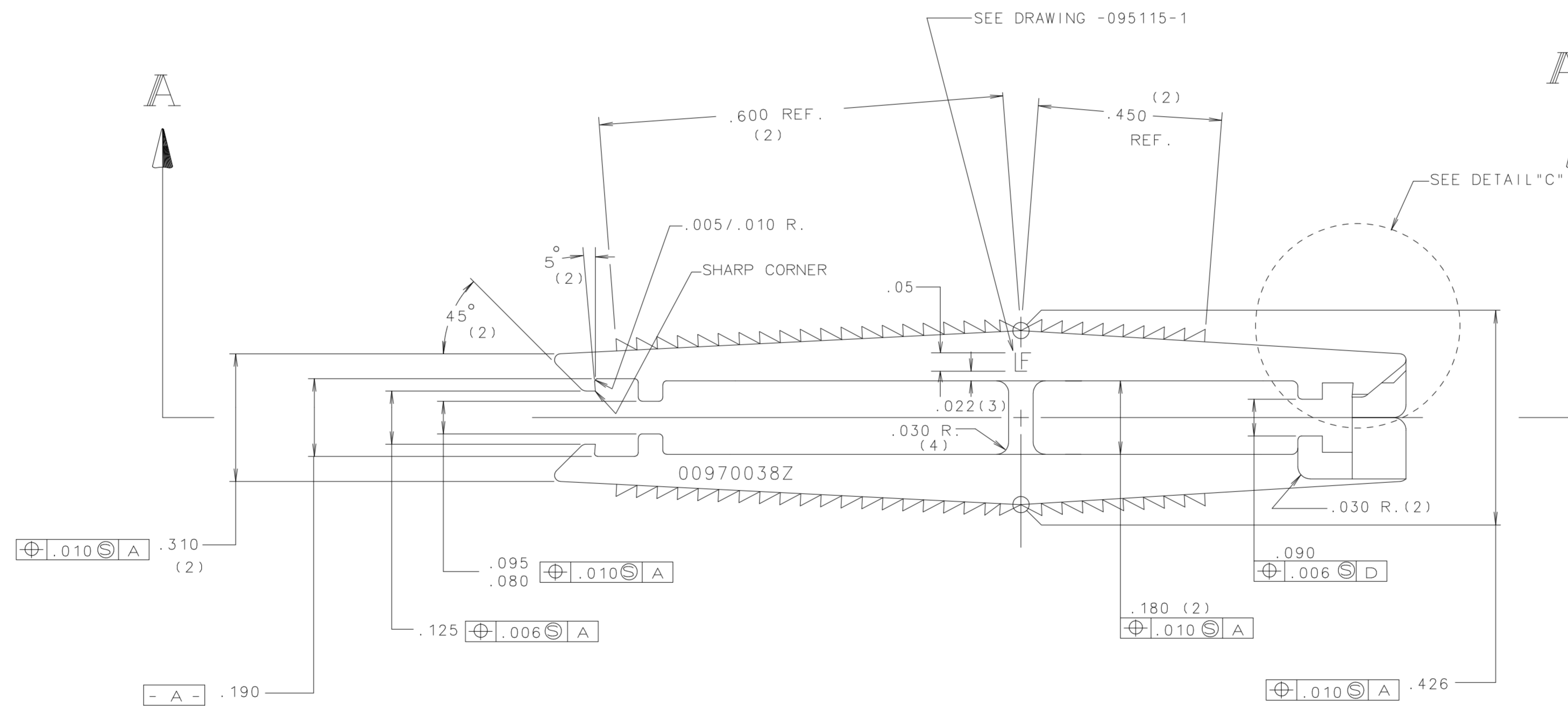
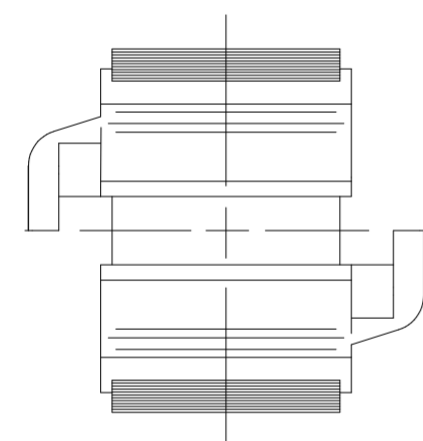
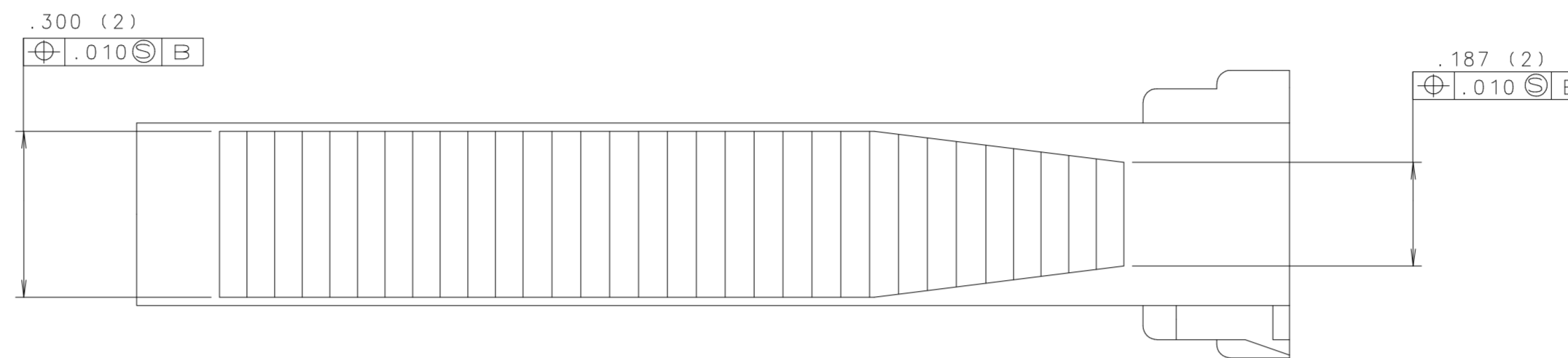
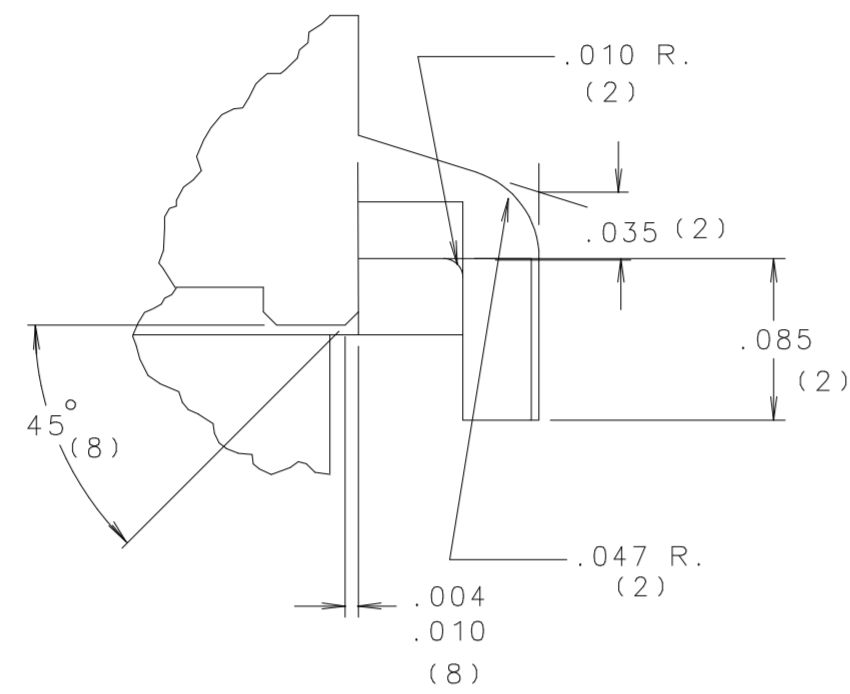
Email & Skype: info@chipsmall.com Web: www.chipsmall.com

Address: A1208, Overseas Decoration Building, #122 Zhenhua RD., Futian, Shenzhen, China

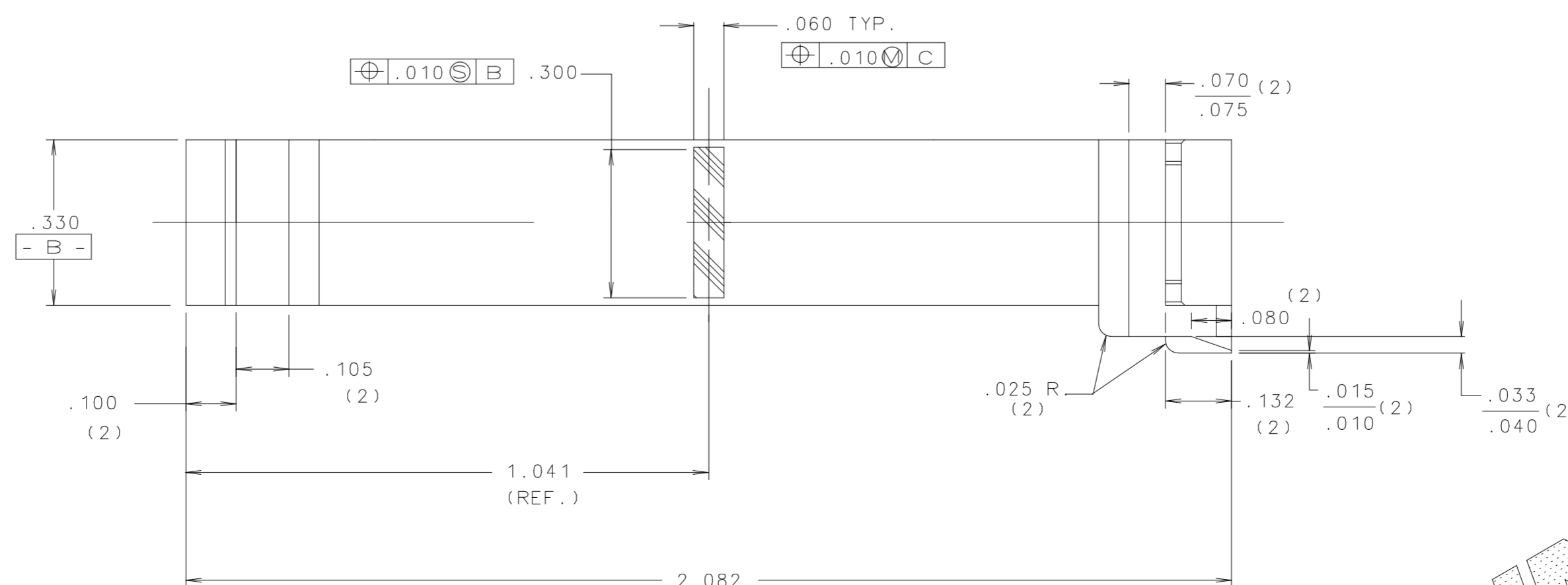




DETAIL "C"



FUSE END GUIDES NOT SHOWN IN THIS VIEW.



SECTION A-A

LTR	DATE	REVISION	CHK	APD
A	11/12/98	07735- RELEASED	JMB	
B	08/03/07	855436-CHG MATERIAL FROM 057321 TO 057348 AND 057892	DHM	

NOTES

- UNLESS OTHERWISE SPECIFIED:
- 1/2 DEGREE MAXIMUM DRAFT PER SIDE.
 - EJECTOR PIN MARKS TO BE FLUSH TO .008 BELOW SURFACE.
 - MAXIMUM FLASH LIMITS: .003" HEIGHT, .005" WIDTH.
 - ALL DIMENSIONS ARE TYPICAL FOR REPEATED FEATURES.
 - Ø END "A" & END "B" MUST BE CAPABLE TO BE SQUEEZED TO BOTTOM AND RETURN TO ITS NORMAL POSITION.
 - LETTERING: .031 HIGH GOTHIC CHARACTERS, .003/.010 RAISED.
 - ALL INTERNAL RADIUS TO BE .015 MAX..
 - PACK 5000 PCS IN -890-750 POLYETHYLENE BAG. CLOSE WITH WIRE TIE -890-471. PLACE IN BOX -580143. LABEL BOX WITH COMPUTER GENERATED LABEL -914-796 AND SEAL WITH -088120 TAPE.

NO	COMPONENT NO	DESCRIPTION	QTY/M	U/M
-	914-796	LABEL, BAR CODE	.2	EA
-	890-750	POLY BAG	.2	EA
-	580143	CARTON	.2	EA
-	057348	NYLON RESIN	5.726	LB
-	057892	COLOR CONCENTRATE	.117	LB

BILL OF MATERIAL				
UNLESS OTHERWISE SPECIFIED, DIMENSIONS DO NOT INCLUDE PLATING.				
Ø	DENOTES Ø	UNLESS OTHERWISE SPECIFIED.		
CPK	DENOTES CPK DIMENSIONS - MINIMUM CPK VALUE			
ST	DENOTES A CHARACTERISTIC THAT PROVIDES AN INDICATION OF PROCESS PERFORMANCE - MEASURE FOR MEASUREMENT AND TRACKING TO BE DEFINED IN THE FUSE INSPECTION INSTRUCTIONS.			
CP	DENOTES CP DIMENSIONS - MINIMUM CP VALUE MUST BE WITHIN THE DIMENSIONAL LIMITATIONS SHOWN ON DRAWING AND INITIALLY LOCATED TO ALLOW FOR MAXIMUM TOOL LIFE.			
COPIES TO:				
1	9	18	FINISH	
2	10	19		
3	12	20		
4	13	21		
5	14	22	DRW	JMB
6	15	23	CHK	
7	16	24	APPD	
8	17	25		

DATE	SCALE	DATE	SUPER DR	DATE	RAW STK WT	LBS/M
11/10/98	2:1					
TOLERANCE UNLESS OTHERWISE SPECIFIED						
TWO PLACE DEC ±.01		FRACTION ±				
THREE PLACE DEC ±.005		ANGULAR ±1°				
TITLE FUSE INSERTER AND EXTRACTOR (STD. & MINI ATQ FUSES)						
REV B		REV B		DRW NO. 00970038Z		FINAL

UNCONTROLLED DOCUMENT